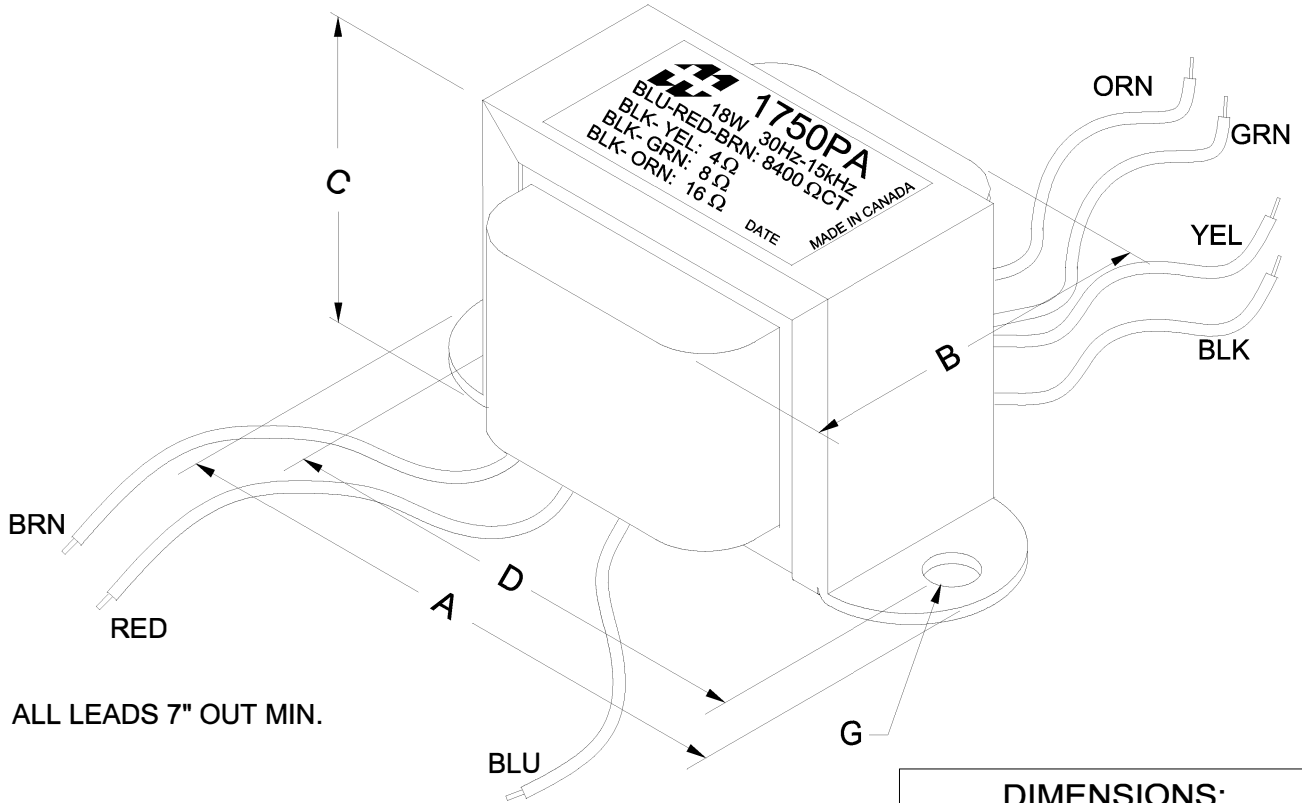


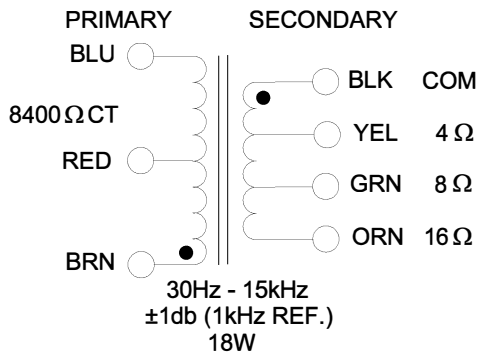
1750PA



DIMENSIONS:	
A	4.000" ±0.063
B	2.563" ±0.125
C	2.625" ±0.063
D	3.563" ±0.063
G	0.187" ±0.015

NOTES:

1. Laminations are 29M6 silicon steel.
2. Coil is wound paper interlayer.



ELECTRICAL DATA:

Turns ratio:	4 Ω (45.8 : 1) , 8Ω(32.4 : 1) ,16 Ω (22.9 : 1)
Inductance	@ 240V,30Hz =>31.83H (Open circuit)
DCR	@ 20C, BLU - RED = 335.5 Ω ±20% @ 20C, RED - BRN = 298.9 Ω ±20%
	@ 20C, BLK - ORN =1.396 Ω ±20%
FREQ. RESP	@ 18W , 30Hz-15kHz, BLU-BRN ±1db (Ref.1kHz)
Pri. Impedance	8400 Ω CT (388.85V)
Sec. Impedance	4 Ω (10.95V) , 8Ω(12.00V) ,16 Ω (16.97V)
Amp Manufacturer	18 Watt Marshall



TITLE
OUTPUT TRANSFORMER

1	02/010/14	Added notes / Released	DR BY D.Hutt
0	08/07/13	PRELIMINARY.	DATE 08/07/13
NO	DATE	REVISION	DIM IN(X)MM()

1750PA