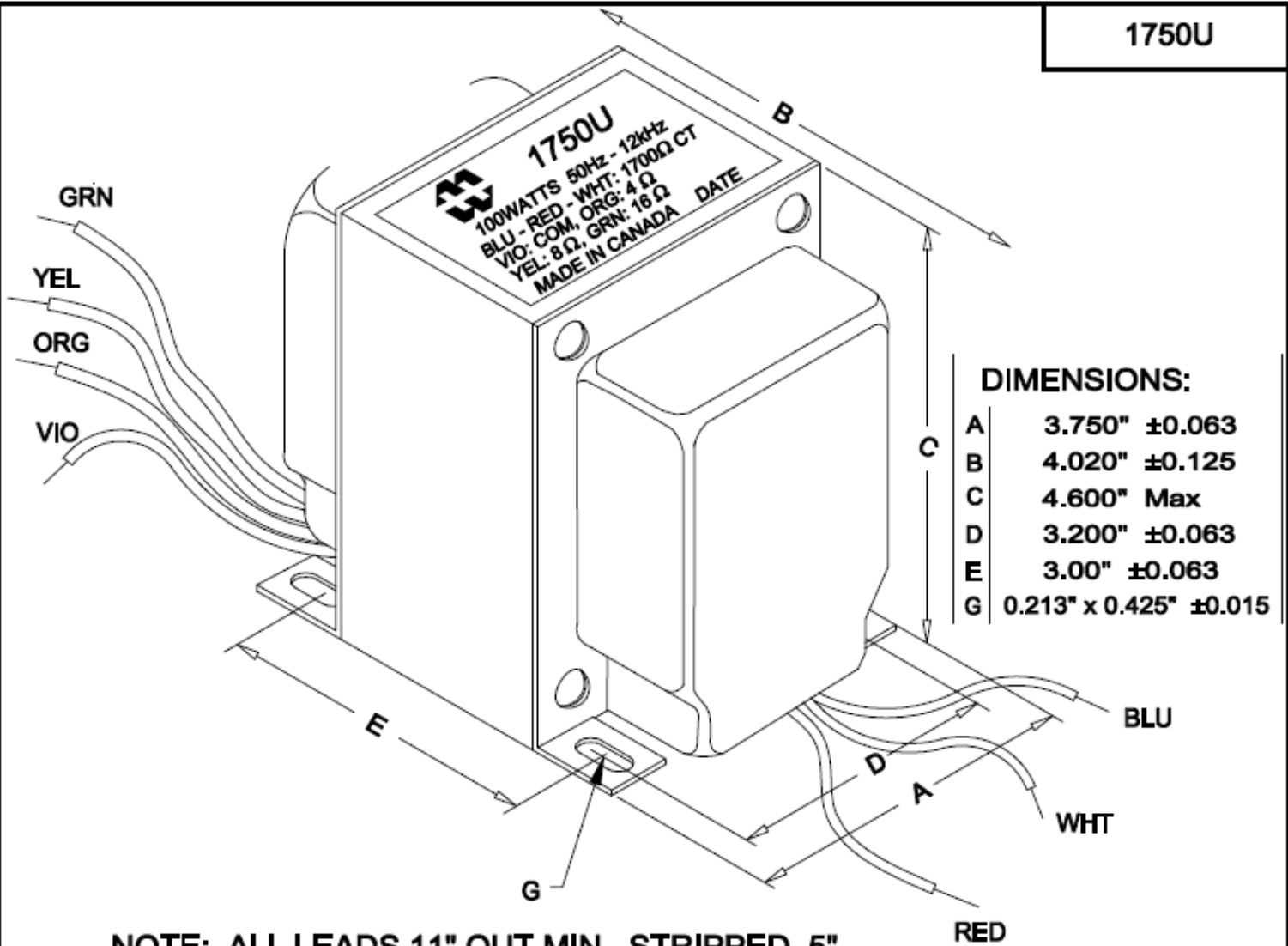


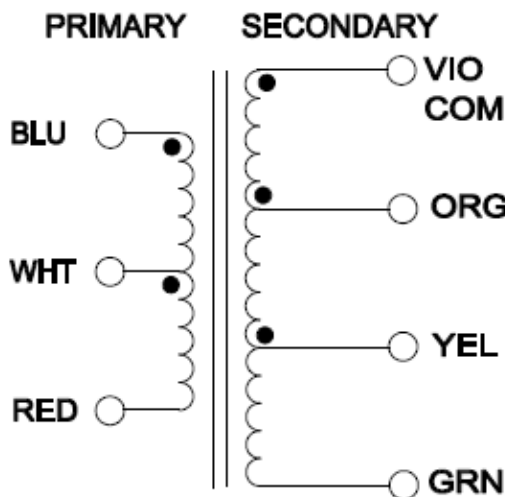
1750U



DIMENSIONS:

A	3.750" ±0.063
B	4.020" ±0.125
C	4.600" Max
D	3.200" ±0.063
E	3.00" ±0.063
G	0.213" x 0.425" ±0.015

NOTE: ALL LEADS 11" OUT MIN., STRIPPED .5"



ELECTRICAL DATA:

Turns ratio:	10.40 : 1
Inductance	@240V, 50Hz =>76.39H (Open circuit)
DCR	@ 20C, BLU - WHT =15.36 Ω ±20%
	@ 20C, WHT - RED =16.56 Ω ±20%
	@ 20C, VIO -ORG =0.10 Ω ±20%
	@ 20C, ORG - YEL =0.10 Ω ±20%
	@ 20C, YEL -GRN =0.12 Ω ±20%
FREQ. RESP	@ 100W (412.3V), 50Hz-12kHz, BLU-RED±1db (1kHz Ref.)
PrL Impedance	1700 Ω (Plate - Plate) (412.3V)
Sec. Impedance	4 Ω (20V5A)/ 8 Ω (28.3V 3.5A) / 16 Ω (40V 2.5A)
Power	100 WATTS