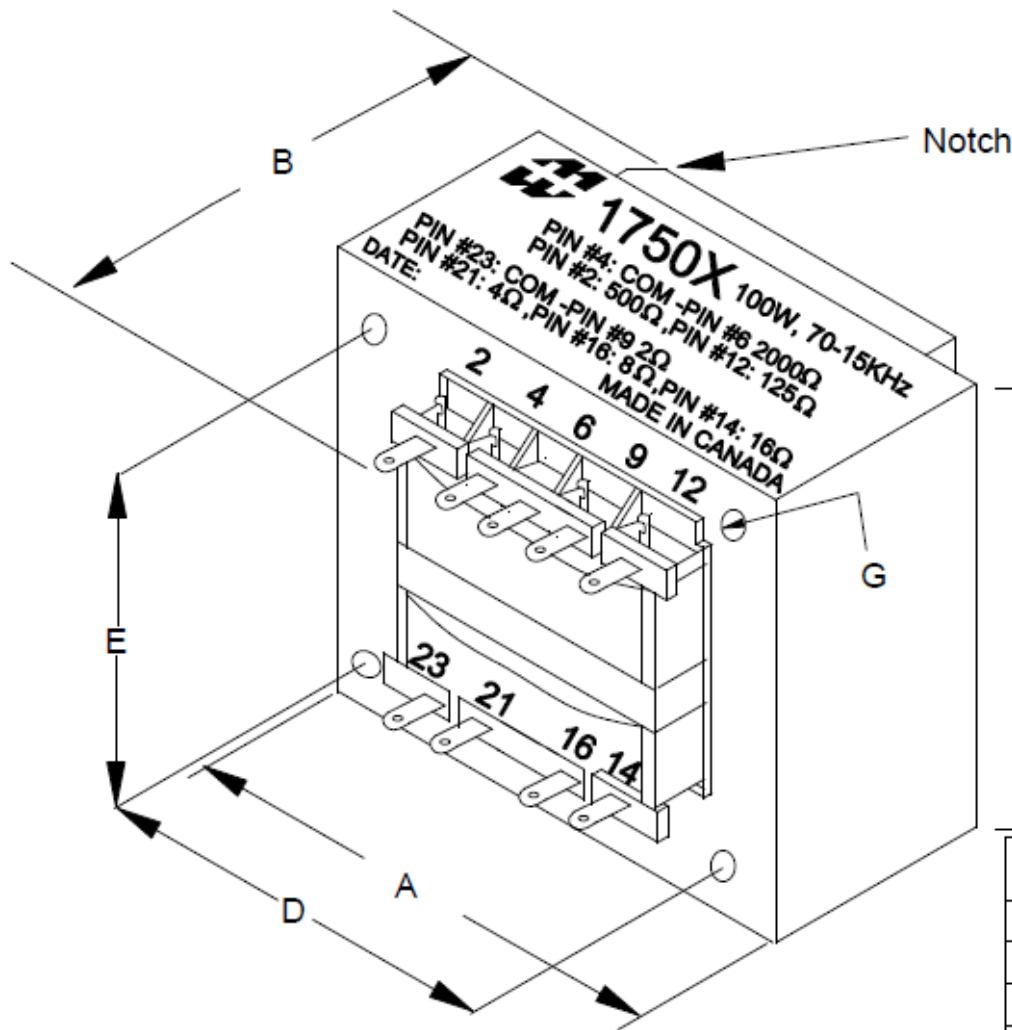
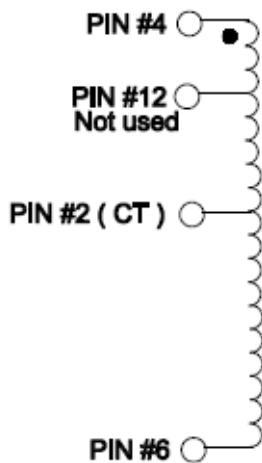


1750X

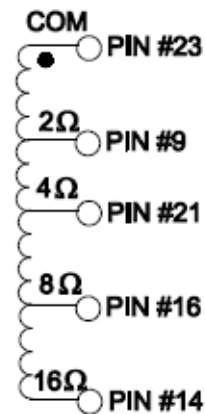


DIMENSIONS:	
A	3.786" ±0.063
B	4.049" ±0.125
C	3.175" ±0.063
D	3.148" ±0.063
E	2.522" ±0.063
G	0.215" ±0.010

PRIMARY
2000 Ω CT (Term 4-6)



SECONDARY



ELECTRICAL DATA:

Turns ratio:	10.14 : 1
Inductance	@240V,50Hz =>50.93H (Open circuit)
DCR	@ 20C, PIN #4 - PIN #12 =5.03 Ω ±20%
	@ 20C, PIN #2 - PIN #6 =12.30 Ω ±20%
	@ 20C, PIN #2 - PIN #12 =7.16 Ω ±20%
	@ 20C, PIN #23 - PIN #9 =0.05 Ω ±20%
	@ 20C, PIN #9 - PIN #21 =0.02 Ω ±20%
	@ 20C, PIN #21 - PIN #16 =0.03Ω ±20%
	@ 20C, PIN #16 - PIN #14 =0.05Ω ±20%
FREQ. RESP	@ 100W (447.2V), 50Hz - 12kHz, pin 4 - Pin 6 ±1db (1kHz Ref.)
Pri. Impedance	2000 Ω CT (Term 4-6) Center tap Term 2
Sec. Impedance	2Ω(14V 7.07A)/ 4Ω(20V 5A)/ 8Ω(28.28V 3.536A)
Power	100 WATTS