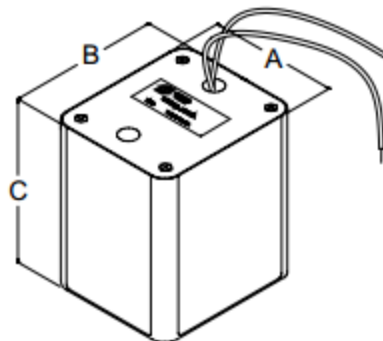
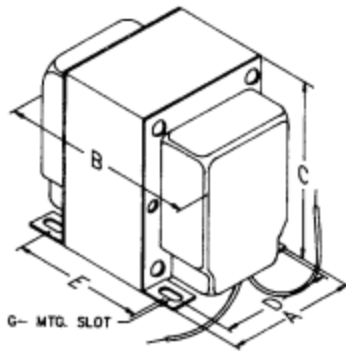


Enclosed & Potted D.C. Filter (193 Series)



Potted



Enclosed

ENCLOSED & POTTED D.C. FILTER CHOKES

- Enclosed, 4-hole chassis mount chokes (some models also available epoxy potted in a black powder paint - drawn steel cabinet - see chart). Potted models mount with 1/4" - 20 hardware (included).
- Tolerance of 15% on both inductance & resistance. Inductances measured at rated D.C. current.
- Minimum 8" long leads.
- Units will exhibit less inductance at slightly higher currents or more at lower currents.
- Perfect for high voltage power supply filtering, case matches power transformers & tube audio output transformers.

Part No.	Style	Inductance (Henrys)	Current (D.C. ma.)	Resistance (Ohms)	Max. Operating (Volts D.C.)	Wt. Lbs.	Dim. Ref.
193B	Enclosed	12	100	155	600	2.5	X6
193C	Enclosed	20	100	181	600	3.25	X8
193CP	Potted	20	100	184	800	5.0	P1
193D	Enclosed	8	150	75	600	3.25	X8
193G	Enclosed	10	150	102	800	4.25	X17
193GP	Potted	10	150	103	800	6.0	P1
193H	Enclosed	5	200	65	600	2.5	X6
193J	Enclosed	10	200	82	800	5.5	X11
193JP	Potted	10	200	79	800	7.5	P1
193K	Enclosed	2.6	300	21	800	3.25	X8
193L	Enclosed	5	300	57	800	5.5	X11
193LP	Potted	5	300	55	800	7.5	P1
193M	Enclosed	10	300	63	800	10.5	X14
193MP	Potted	10	300	63	800	10.5	P1
193N	Enclosed	3	500	35	600	5.0	X11
193NP	Potted	3	500	36	800	7.0	P1
193P	Enclosed	5	500	26	800	10.75	X14
193Q	Enclosed	10	500	53	1000	21.0	X16
193R	Enclosed	0.3	1000	3.50	1000	4.5	X10
193S	Enclosed	1	1000	5.75	1000	8.0	X13
193T	Enclosed	0.05	2000	0.7	300	2.5	X6
193U	Enclosed	0.2	2000	1.7	300	6.0	X12
193V	Enclosed	0.15	3000	1.0	300	9.0	X14

Dimension Table

Mtg. Style	Dimensions (Inches)					G-Mtg. Slot
	A	B	C	D	E	
P1	3.31	3.88	4.25	-	-	-
X6	2.50	2.75	3.06	2.00	1.69	.203 X .38
X8	2.50	3.25	3.06	2.00	2.19	.203 X .38
X10	3.13	3.50	3.81	2.50	2.19	.203 X .38
X11	3.13	3.75	3.81	2.50	2.44	.203 X .38
X12	3.13	4.25	3.81	2.50	2.94	.203 X .38
X13	3.75	4.00	4.56	3.00	2.81	.203 X .38
X14	3.75	4.50	4.56	3.00	3.31	.203 X .38
X16	3.75	5.50	4.56	3.00	4.31	.203 X .38
X17	3.13	3.25	3.81	2.50	1.94	.203 X .38