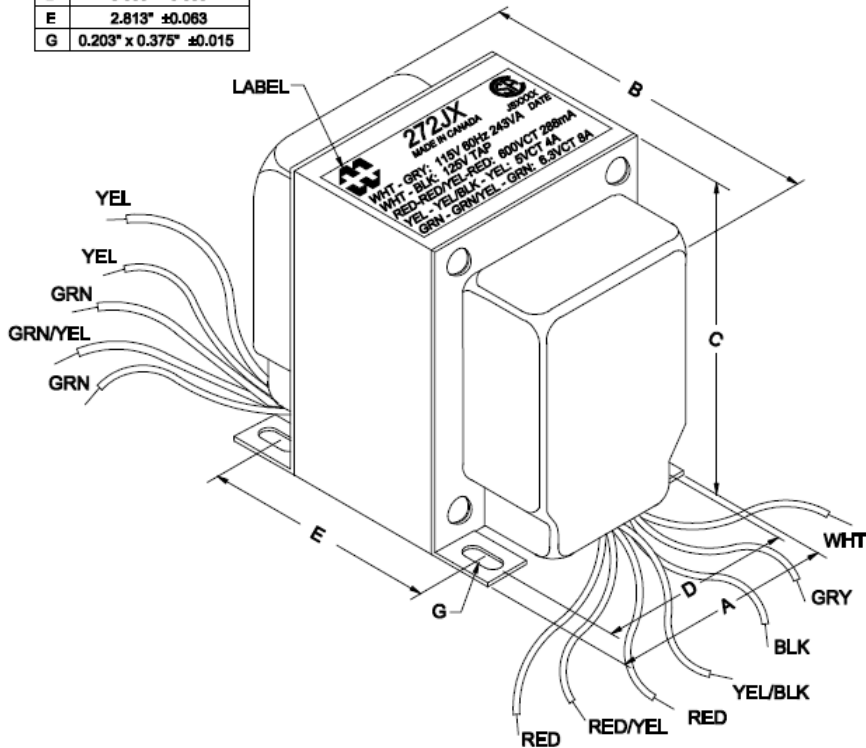
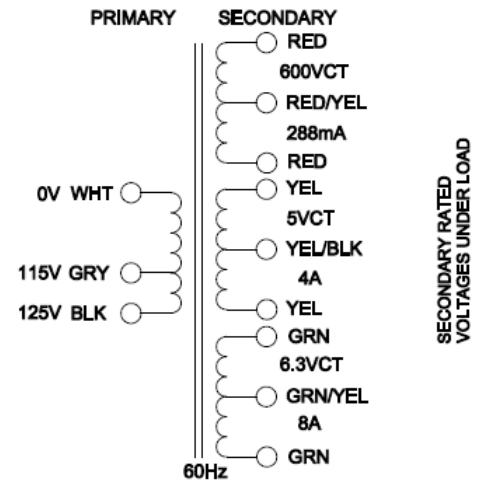


DIMENSIONS:	
A	3.750" ±0.063
B	3.936" ±0.125
C	4.580" ±0.063
D	3.000" ±0.063
E	2.813" ±0.063
G	0.203" x 0.375" ±0.015



NOTE: ALL LEADS 6" OUT MIN. STRIPPED 0.5"



ELECTRICAL DATA:		
TESTS	CONDITIONS	ACCEPTANCE CRITERIA
Iex	@ 125V, 60Hz, WHT - BLK	416.4mA Max.
Sec. N.L.V	@ 125V, 60Hz, WHT - BLK	
	RED - RED =	627.0V ±2%
	RED - RED/YEL = RED/YEL - RED =	313.5V ±2%
	YEL - YEL =	5.456V ±2%
	YEL - YEL/BLK = YEL/BLK - YEL =	2.728V ±2%
	GRN - GRN =	6.944V ±2%
	GRN - GRN/YEL = GRN/YEL - GRN =	3.472V ±2%
DCR	@ 20°C, WHT - BLK =	0.991 Ω ±20%
	@ 20°C, RED - RED =	47.27 Ω ±20%
	@ 20°C, YEL - YEL =	0.035 Ω ±20%
	@ 20°C, GRN - GRN =	0.023 Ω ±20%
HI POT	PRIMARY - SECONDARY	2500V, 60Hz, 1 SEC