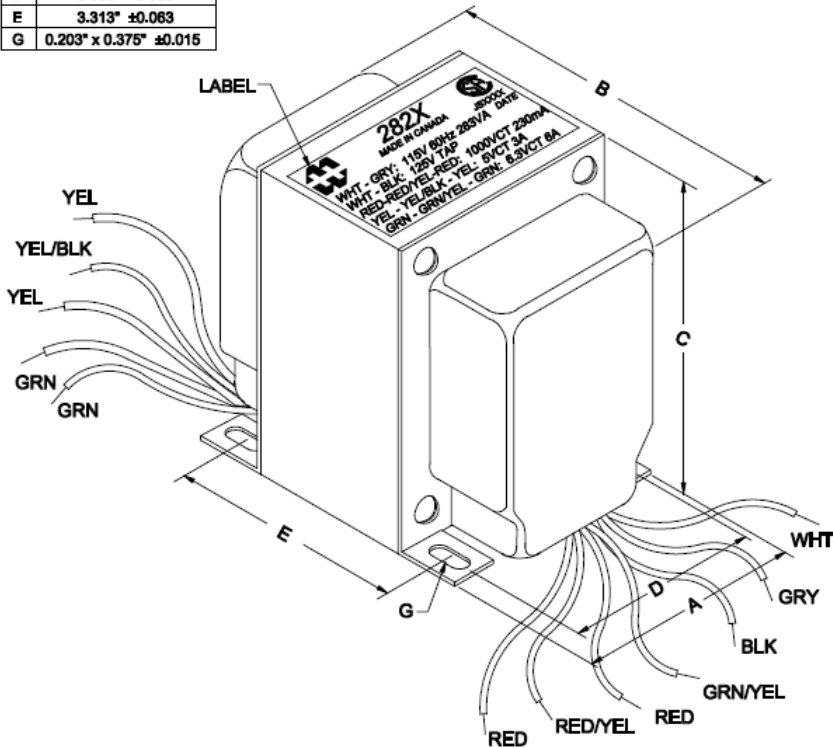
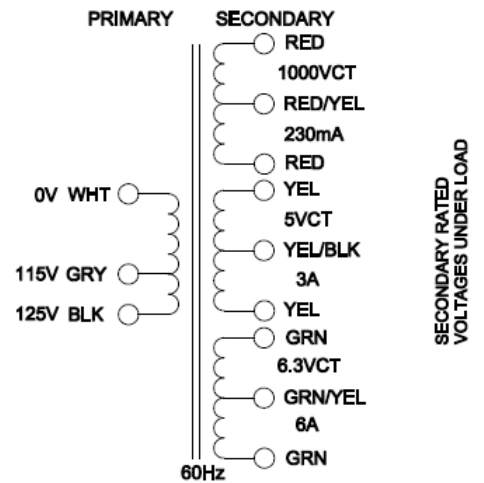


DIMENSIONS:	
A	3.750" ±0.063
B	4.436" ±0.125
C	4.560" ±0.063
D	3.000" ±0.063
E	3.313" ±0.063
G	0.203" x 0.375" ±0.015



NOTE: ALL LEADS 6" OUT MIN. STRIPPED 0.5"



ELECTRICAL DATA:		
TESTS	CONDITIONS	ACCEPTANCE CRITERIA
I _{ex}	@ 125V, 60Hz, WHT - BLK	244.8mA Max.
Sec. N.L.V	@ 125V, 60Hz, WHT - BLK	
	RED - RED =	1071.7V ±2%
	RED - RED/YEL = RED/YEL - RED =	535.9V ±2%
	YEL - YEL =	5.435V ±2%
	YEL - YEL/BLK = YEL/BLK - YEL =	2.717V ±2%
	GRN - GRN =	7.065V ±2%
	GRN - GRN/YEL = GRN/YEL - GRN =	3.533V ±2%
DCR	@ 20°C, WHT - BLK =	0.895 Ω ±20%
	@ 20°C, RED - RED =	114.9 Ω ±20%
	@ 20°C, YEL - YEL =	0.052 Ω ±20%
	@ 20°C, GRN - GRN =	0.044 Ω ±20%
HIPOT	PRIMARY - SECONDARY	3000V, 60Hz, 1 SEC