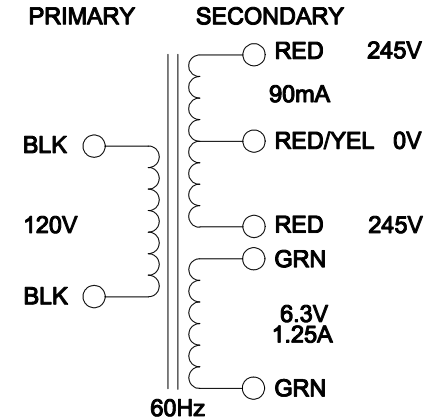


DIMENSIONS:	
A	2.500" ±0.063
B	2.817" ±0.125
C	3.000" ±0.063
D	1.280" ±0.063
E	2.000" ±0.063
F	2.500" ±0.063
G	0.750" ±0.125



NOTE: ALL LEADS 9" MIN. OUT. STRIP 0.5"

ELECTRICAL DATA:		
TESTS	CONDITIONS	ACCEPTANCE CRITERIA
Iex	@ 120V, 60Hz, BLK - BLK	130mA Max.
Sec. N.L.V	@ 120V, 60Hz, BLK - BLK	
	RED - RED/YEL = RED/YEL - RED =	257.2V ±2%
	RED - RED =	514.4V ±2%
	GRN - GRN =	6.608V ±2%
DCR	@ 20°C, BLK - BLK =	5.278 Ω ±20%
	@ 20°C, RED - RED =	136.2 Ω ±20%
	@ 20°C, GRN - GRN =	0.149 Ω ±20%
HIPOT	PRIMARY - SECONDARY	2500V, 60Hz, 1 SEC

REV.#	REVISION	DATE
0	RELEASED.	C.I. 05/07/19
1	ADDED FLUX BAND.	C.I. 05/08/19

HAMMOND MANUFACTURING™ ELECTRONIC DIVISION
 52 RANKIN PLACE, WATERLOO, ONTARIO, N2J 3Z5
 PH # (519) 886-6181 FAX # (519) 886-9540

DWG. BY: C. ILIE	CHK'D BY:	TITLE: POWER TRANSFORMER	DWG. NO. 290AAX
DATE: 05/07/19	APP'D. BY:		
	DIMENSIONS: IN(X) MM()		