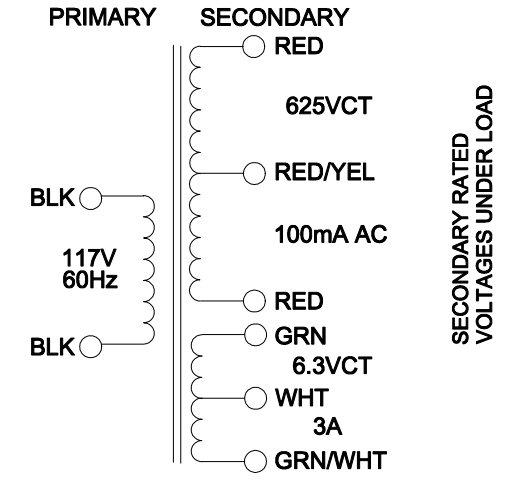
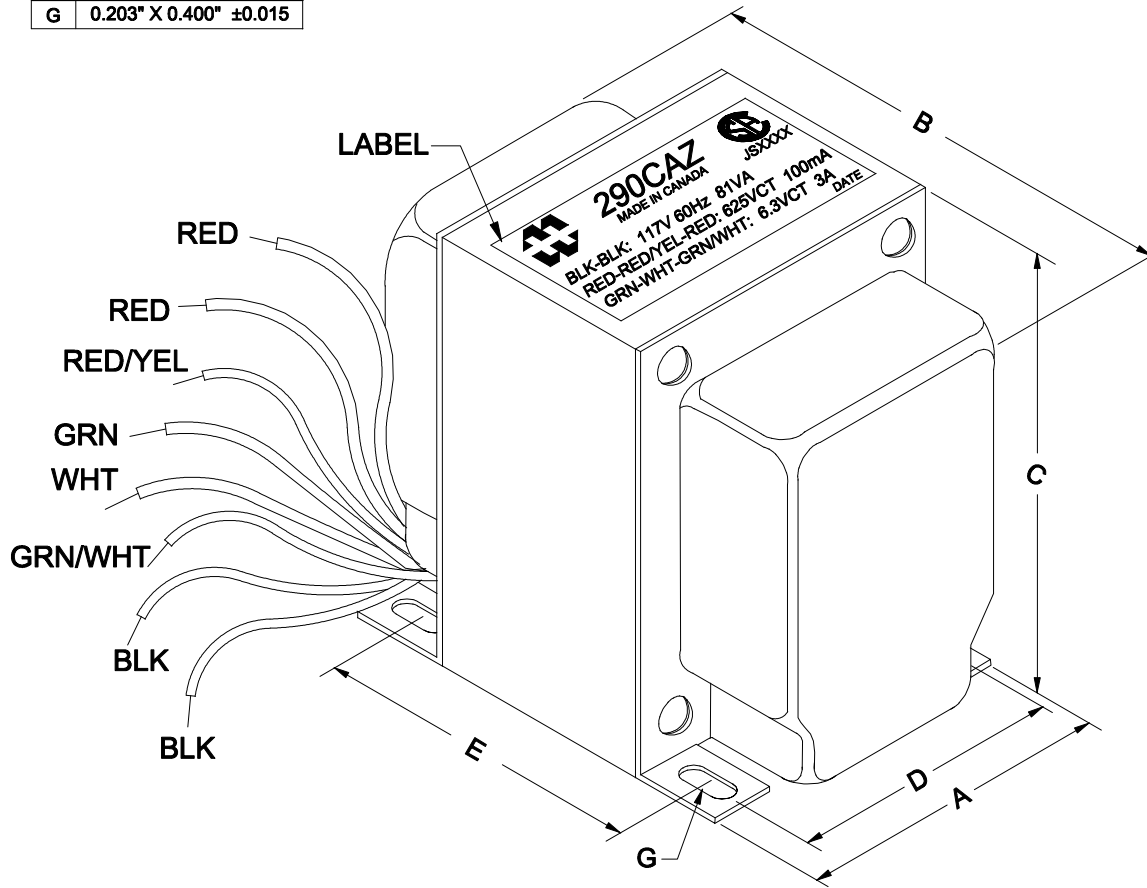


DIMENSIONS:	
A	3.125" ±0.063
B	3.686" ±0.125
C	3.795" ±0.063
D	2.500" ±0.063
E	2.438" ±0.063
G	0.203" X 0.400" ±0.015



NOTE: ALL LEADS 8" OUT MIN. STRIPPED 0.5"

ELECTRICAL DATA:		
TESTS	CONDITIONS	ACCEPTANCE CRITERIA
lex	@ 117V, 60Hz, BLK - BLK	200mA Max.
Sec. N.L.V	@ 117V, 60Hz, BLK - BLK	
	RED - RED/YEL = RED/YEL - RED =	326.5V ±2%
	RED - RED =	653.0V ±2%
	GRN - WHT = WHT - GRN/WHT =	3.291V ±2%
	GRN - GRN/WHT =	6.581V ±2%
DCR	@ 20°C, BLK - BLK =	2.778 Ω ±20%
	@ 20°C, RED - RED =	142.4 Ω ±20%
	@ 20°C, GRN - GRN/WHT =	0.048 Ω ±20%
HIPOT	PRIMARY - SECONDARY	2750V, 60Hz, 1 SEC

REV.#	REVISION	DATE	HAMMOND MANUFACTURING™		ELECTRONIC DIVISION	
0	RELEASED.	C.I. 06/09/17	52 RANKIN PLACE, WATERLOO, ONTARIO, N2J 3Z5		PH # (519) 886-6181 FAX # (519) 886-9540	
			DWG. BY: C. ILIE	CHK'D BY:	TITLE: POWER TRANSFORMER	DWG. NO. 290CAZ
			DATE: 06/09/17	APP'D. BY:		
				DIMENSIONS: IN(X) MM( )		