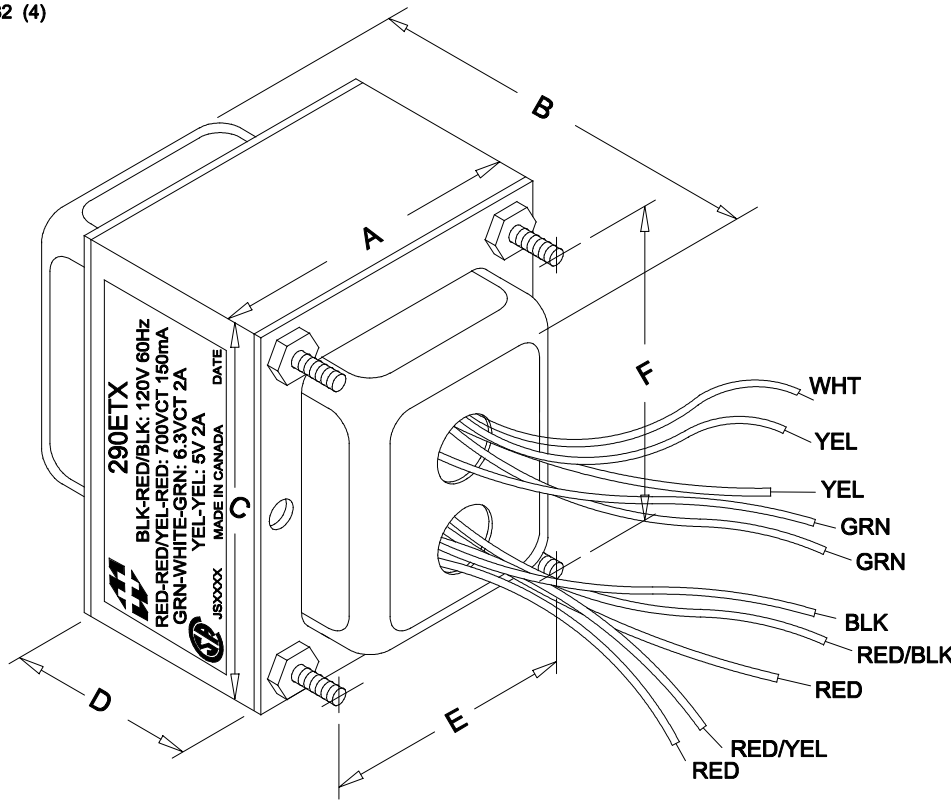


**DIMENSIONS:**

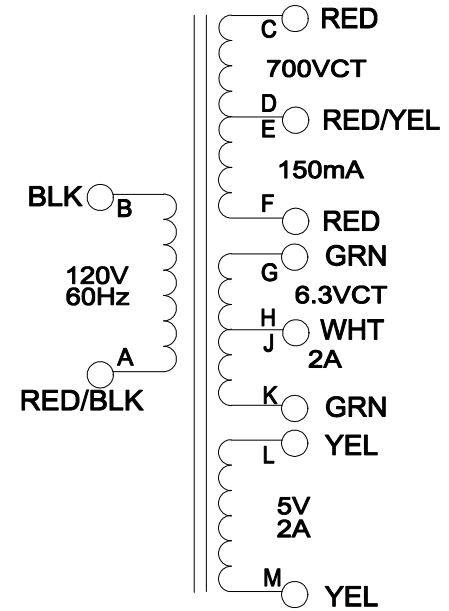
A	2.813" ±0.063
B	3.810" ±0.125
C	3.380" ±0.063
D	1.750" ±0.063
E	2.250" ±0.015
F	2.813" ±0.063

Hardware #8-32 (4)



NOTE: ALL LEADS 9" OUT MIN., STRIPPED .5"

**PRIMARY SECONDARY**



**ELECTRICAL DATA:**

TESTS	CONDITIONS	ACCEPTANCE CRITERIA
lex	@ 120V, 60Hz, BLK - RED/BLK	230mA Max.
Sec. N.L.V	@ 120V, 60Hz, BLK - RED/BLK	
	RED - RED =	736.38V ±2%
	RED - RED/YEL = RED/YEL - RED =	368.19V ±2%
	GRN - GRN =	6.5529V ±2%
	YEL - YEL =	5.320V ±2%
DCR	@ 20°C, WHT - BLK =	2.622 Ω ±20%
	@ 20°C, RED - RED =	118.14 Ω ±20%
	@ 20°C, GRN - GRN =	0.089 Ω ±20%
	YEL - YEL =	0.075 Ω ±20%
HIPOT	PRIMARY - SECONDARY	2500V, 60Hz, 1 SEC

REV.#	REVISION	DATE	HAMMOND ELECTRONIC DIVISION		
0	RELEASED.	D.H. 02/22/18	52 RANKIN PLACE, WATERLOO, ONTARIO, N2J 3Z5		
			PH # (519) 886-6181 FAX # (519) 886-9540		
			DWG. BY: D.Hutt	CHK'D BY:	TITLE: POWER TRANSFORMER
			DATE: 02/22/18	APP'D. BY:	DWG. NO. 290ETX
				DIMENSIONS: IN(X) MM( )	