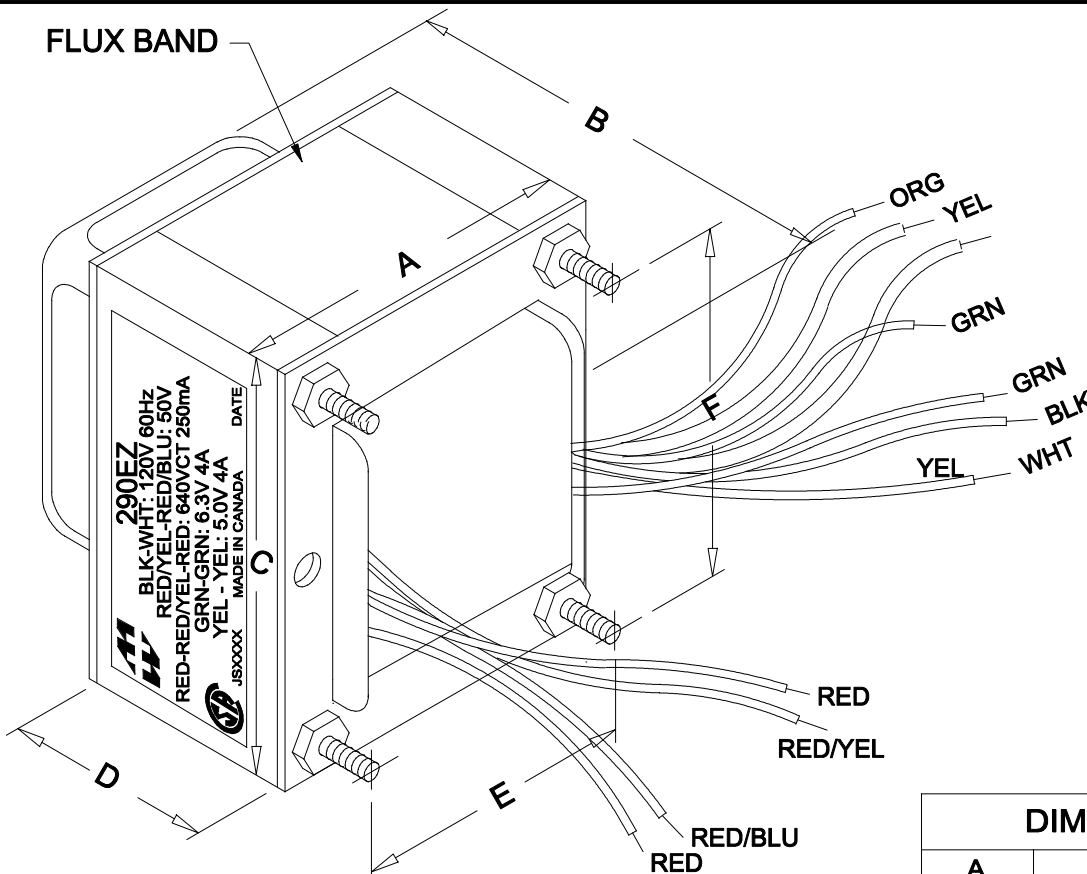
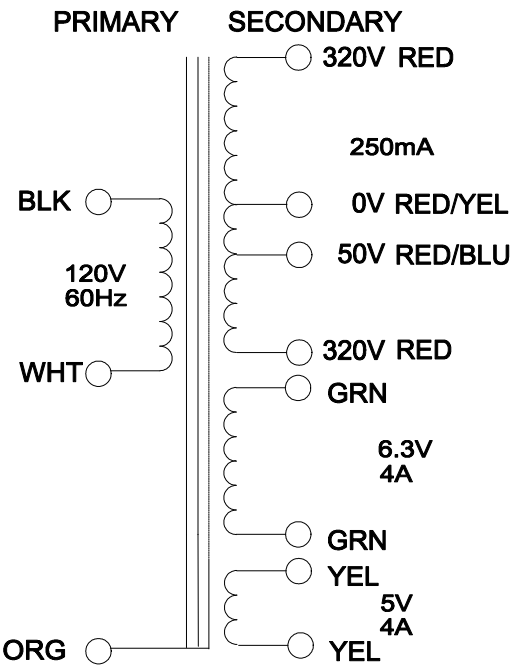


290EZ



NOTE: ALL LEADS 9" OUT MIN., STRIPPED .5"

DIMENSIONS:	
A	3.750" ±0.063
B	4.000" ±0.125
C	4.500" ±0.063
D	2.000" ±0.063
E	3.000" ±0.063
F	3.750" ±0.063



ELECTRICAL DATA:	
Turns ratio:	1 : 5.571 (RED - RED)
Exciting Current	@ 120V, 60Hz, BLK - WHT = 500mA Max.
DCR	@ 20C, WHT - BLK = 0.785 Ω ±20%
	@ 20C, RED - RED = 20.82 Ω ±20%
	@ 20C, GRN - GRN = 0.038 Ω ±20%
Pri. Voltage	120V 60Hz
Sec. Voltage (RMS)	660VCT @ 250mA C/W 50V TAP, 6.3V @ 4A ,5V@4A
No Load Voltage	685.71VCT/ 6.43V/5.35V

HAMMOND ELECTRONICS
 52 RANKIN PLACE,
 WATERLOO, ONTARIO, N2L 3Z5.
 PHONE (519) 886-6181
 FAX # (519) 886-9540

TITLE			
Power Transformer			
2	04/10/17	Removed bottom cover	DR BY D.HUTT
1	01/16/17	RELEASED	DATE 01/16/17
NO	DATE	REVISION	DIM IN(X)MM()

290EZ