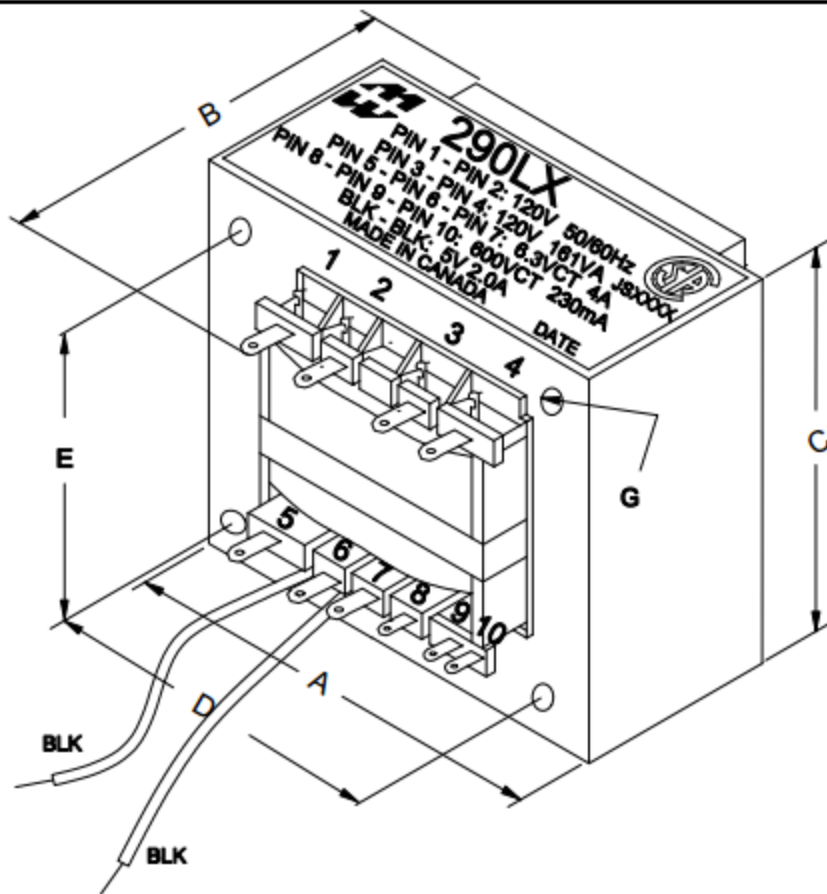
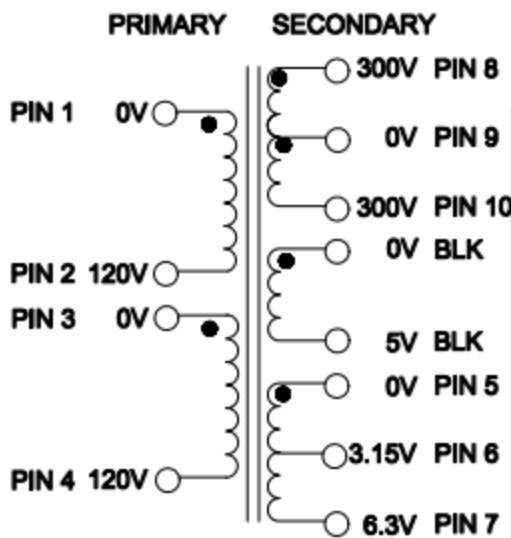


290LX



**DIMENSIONS:**

A	3.780" ±0.063
B	4.050" ±0.063
C	3.160" ±0.063
D	3.150" ±0.063
E	2.510" ±0.063
G	0.215" ±0.010



**ELECTRICAL DATA:**

Turns ratio:	1 : 5.49 ( PIN8 - PIN10 )	
Exciting Current	@ 120V, 60Hz, Pin 1 - Pin 2 = 220 mA	Max.
DCR	@ 20C, Pin 1 - Pin 2 = 3.42 Ω	±20%
	@ 20C, Pin 3 - Pin 4 = 3.92 Ω	±20%
Pri. Voltage	@ 20C, Pin 8 - Pin 10 = 77.8 Ω	±20%
	@ 20C, BLK - BLK = 0.088 Ω	±20%
	@ 20C, Pin 5 - Pin 7 = 0.047 Ω	±20%
Sec. Voltage (RMS)	120V/240V 50/60Hz	
No Load Voltage	600VCT @ 230mA/5V @ 2A/6.3VCT @ 4A	
	659.28V / 5.38V / 6.86V	