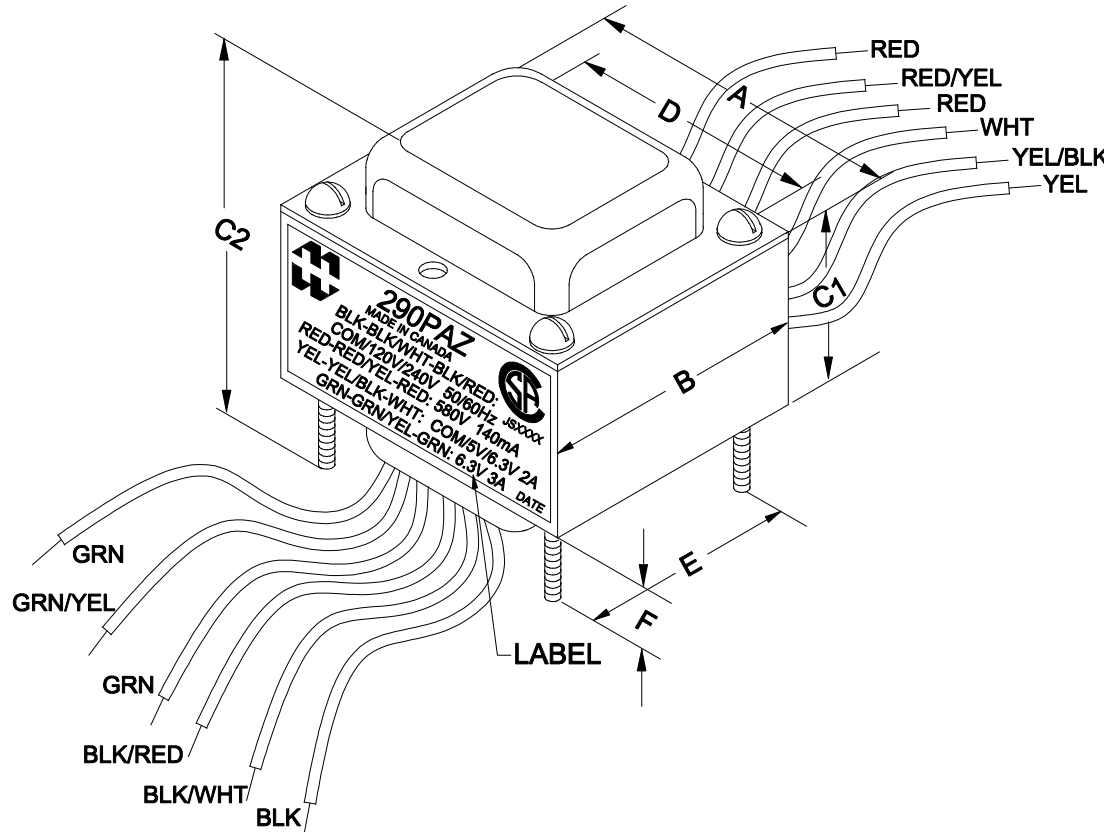
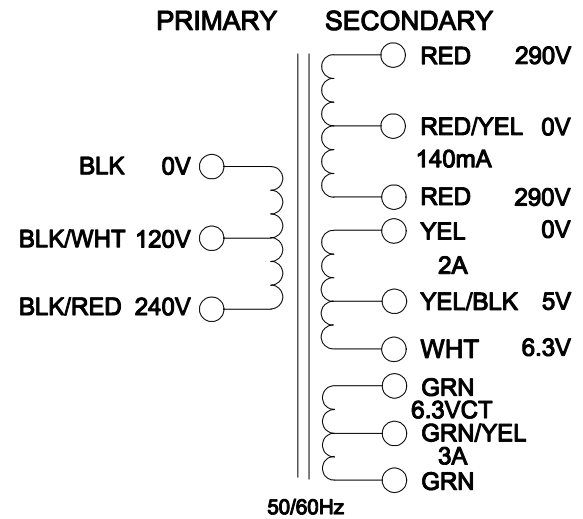


DIMENSIONS:	
A	3.750" ±0.063
B	3.125" ±0.063
C1	1.750" ±0.063
C2	3.625" ±0.125
D	3.125" ±0.063
E	2.500" ±0.063
F	0.375" ±0.063



NOTE: ALL LEADS 12.0" MIN. OUT. STRIP 0.5"



ELECTRICAL DATA:		
TESTS	CONDITIONS	ACCEPTANCE CRITERIA
Iex	@ 240V, 60Hz, BLK - BLK/RED	88.8mA Max.
Sec. N.L.V	@ 240V, 60Hz, BLK - BLK/RED	
	BLK - BLK/WHT =	120.0V ±2%
	RED - RED =	611.5V ±2%
	RED - RED/YEL = RED/YEL - RED =	305.8V ±2%
	YEL - YEL/BLK =	5.342V ±2%
	YEL - WHT =	6.575V ±2%
	GRN - GRN =	6.575V ±2%
	GRN - GRN/YEL = GRN/YEL - GRN =	3.288V ±2%
DCR	@ 20°C, BLK - BLK/WHT =	3.381 Ω ±20%
	@ 20°C, BLK/WHT - BLK/RED =	7.439 Ω ±20%
	@ 20°C, RED - RED =	97.26 Ω ±20%
	@ 20°C, YEL - WHT =	0.072 Ω ±20%
	@ 20°C, GRN - GRN =	0.047 Ω ±20%
HIPOT	PRIMARY - SECONDARY	3000V, 60Hz, 1 SEC

REV.#	REVISION	DATE	HAMMOND ELECTRONIC DIVISION		PH # (519) 886-6181 FAX # (519) 886-9540
0	RELEASED.	10/06/14	52 RANKIN PLACE, WATERLOO, ONTARIO, N2J 3Z5		
			DWG. BY: C. ILIE	CHK'D BY:	TITLE: 290PAZ
			DATE: 10/06/14	APP'D. BY:	TRANSFORMER
				DIMENSIONS: IN(X) MM()	DWG. NO. 290PAZ