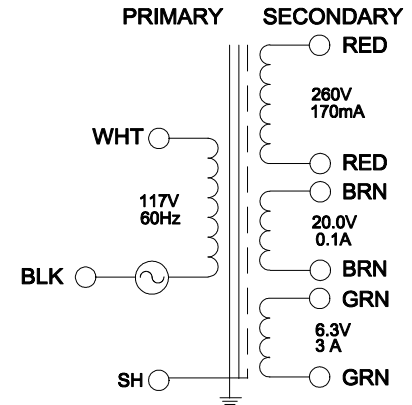
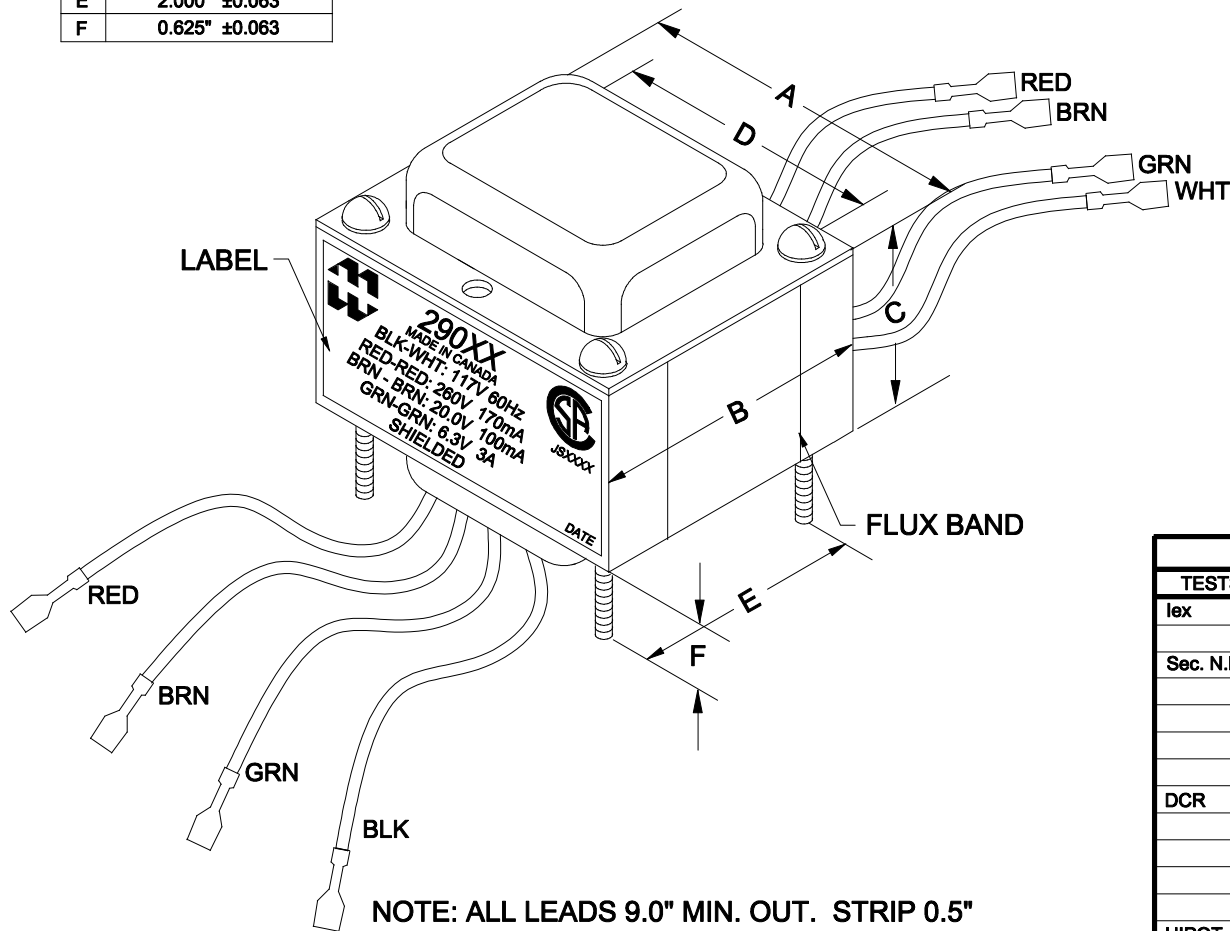


DIMENSIONS:	
A	3.000" ±0.063
B	2.500" ±0.125
C	1.125" ±0.063
D	2.500" ±0.063
E	2.000" ±0.063
F	0.625" ±0.063



NOTE: ALL LEADS 9.0" MIN. OUT. STRIP 0.5"

ELECTRICAL DATA:			
TESTS	CONDITIONS	ACCEPTANCE CRITERIA	
lex	@ 120V, 60Hz, BLK - WHT	275mA	Max.
Sec. N.L.V	@ 120V, 60Hz, BLK - WHT		
	RED - RED =	284.3V	±2%
	BRN - BRN =	21.20V	±2%
	GRN - GRN =	6.976V	±2%
DCR	@ 20°C, BLK - WHT =	4.708 Ω	±20%
	@ 20°C, RED - RED =	52.17 Ω	±20%
	@ 20°C, BRN - BRN =	4.154 Ω	±20%
	@ 20°C, GRN - GRN =	0.070 Ω	±20%
HIPOT	PRIMARY - SECONDARY	2500V, 60Hz, 1 SEC	

REV.#	REVISION	DATE	HAMMOND ELECTRONIC DIVISION		PH # (519) 886-6181 FAX # (519) 886-9540
0	RELEASED.	07/28/11	52 RANKIN PLACE,		
1	was 240V@.125A, was 6.6V@ 2.6A	04/18/17	WATERLOO, ONTARIO, N2J 3Z5		
			DWG. BY: C. ILIE	CHK'D BY:	TITLE: 290XX
			DATE: 07/28/11	APP'D. BY:	TRANSFORMER
				DIMENSIONS: IN(X) MM()	DWG. NO. 290XX