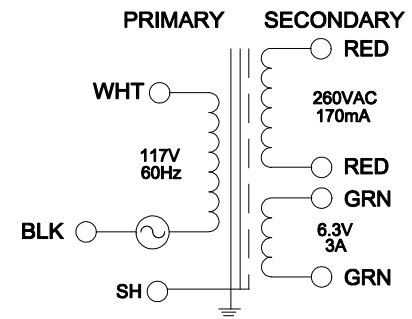
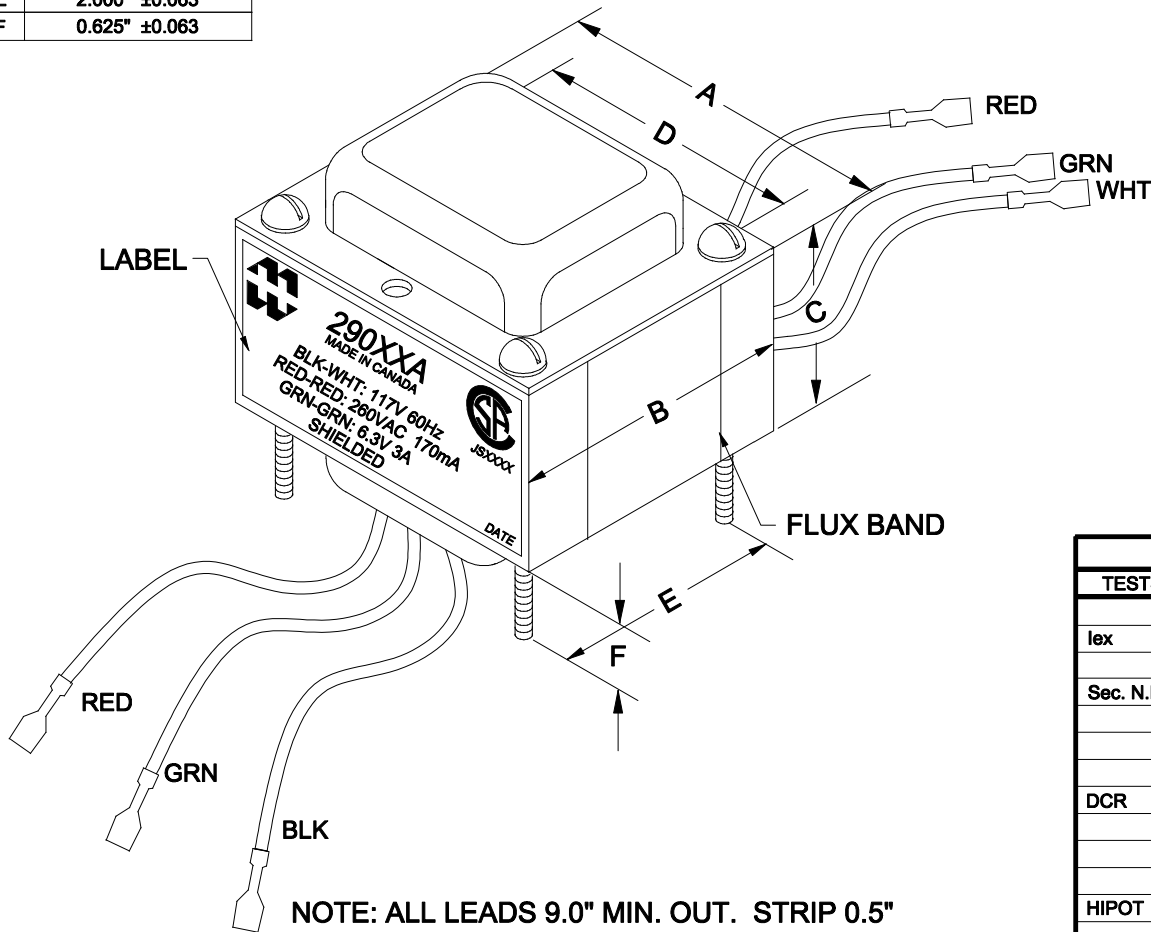


DIMENSIONS:	
A	3.000" ±0.063
B	2.500" ±0.125
C	1.125" ±0.063
D	2.500" ±0.063
E	2.000" ±0.063
F	0.625" ±0.063



NOTE: ALL LEADS 9.0" MIN. OUT. STRIP 0.5"

ELECTRICAL DATA:		
TESTS	CONDITIONS	ACCEPTANCE CRITERIA
Iex	@ 117V, 60Hz, BLK - WHT	272.4mA Max.
Sec. N.L.V	@ 117V, 60Hz, BLK - WHT	
	RED - RED =	277.2V ±2%
	GRN - GRN =	6.755V ±2%
DCR	@ 20°C, BLK - WHT =	5.798 Ω ±20%
	@ 20°C, RED - RED =	44.16 Ω ±20%
	@ 20°C, GRN - GRN =	0.058 Ω ±20%
HIPOT	PRIMARY - SECONDARY	2500V, 60Hz, 1 SEC

REV.#	REVISION	DATE	HAMMOND MANUFACTURING™		ELECTRONIC DIVISION	
0	RELEASED.	C.I. 12/28/17	52 RANKIN PLACE, WATERLOO, ONTARIO, N2J 3Z5		PH # (519) 886-6181 FAX # (519) 886-9540	
1	CORRECTED TEST DATA.	C.I. 06/13/18				
			DWG. BY: C. ILIE	CHK'D BY:	TITLE: POWER TRANSFORMER	DWG. NO. 290XXA
			DATE: 12/28/17	APP'D. BY:		
				DIMENSIONS: IN(X) MM()		