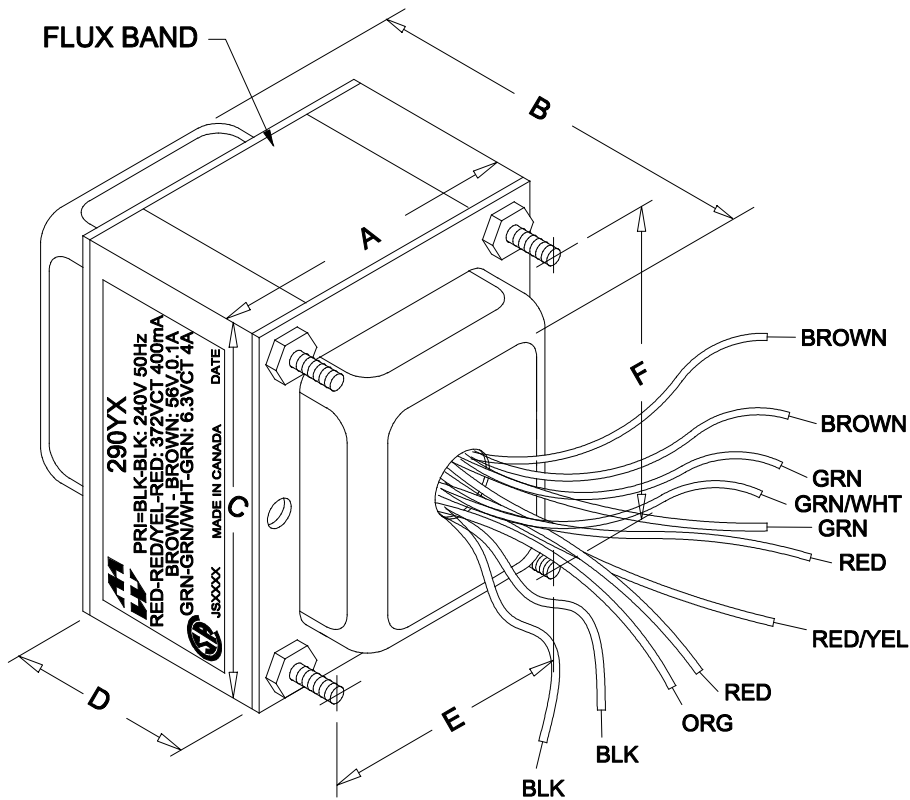
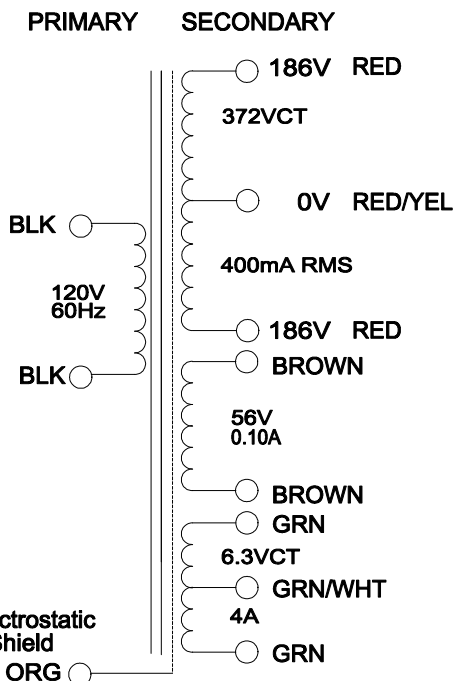


290YX



NOTE: ALL LEADS 13" OUT MIN., STRIPPED .5"



DIMENSIONS:

A	3.438" ±0.063
B	5.100" ±0.125
C	4.125" ±0.063
D	2.750" ±0.063
E	2.750" ±0.063
F	3.438" ±0.063

FENDER 75 WATT LEAD AMP.

ELECTRICAL DATA:	
Turns ratio:	1 : 3.18 (RED - RED)
Exciting Current	@ 120V, 60Hz, BLK - BLK = 250mA Max.
DCR	@ 20C, BLK - BLK = 0.93 Ω ±20%
	@ 20C, RED - RED = 13.30 Ω ±20%
	@ 20C, BRN - BRN = 1.60 Ω ±20%
DCR	@ 20C, GRN - GRN = 0.030 Ω ±20%
Pri. Voltage	120V 60Hz
Sec. Voltage (RMS)	372VCT @ 400mA , 56V @ 0.10A / 6.3VCT @ 4A
No Load Voltage	381.64VCT/ 56.40V / 6.55V

HAMMOND ELECTRONICS

52 RANKIN PLACE,
WATERLOO, ONTARIO, N2L 3Z5.

PHONE (519) 886-6181
FAX # (519) 886-9540

TITLE		290YX		290YX
			DR BY D.Hutt	
1	09/12/12	Released	DATE 09/12/12	
NO	DATE	REVISION	DIM IN(X)MM()	