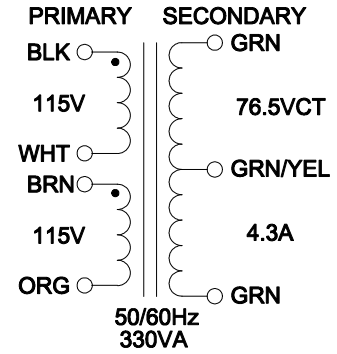
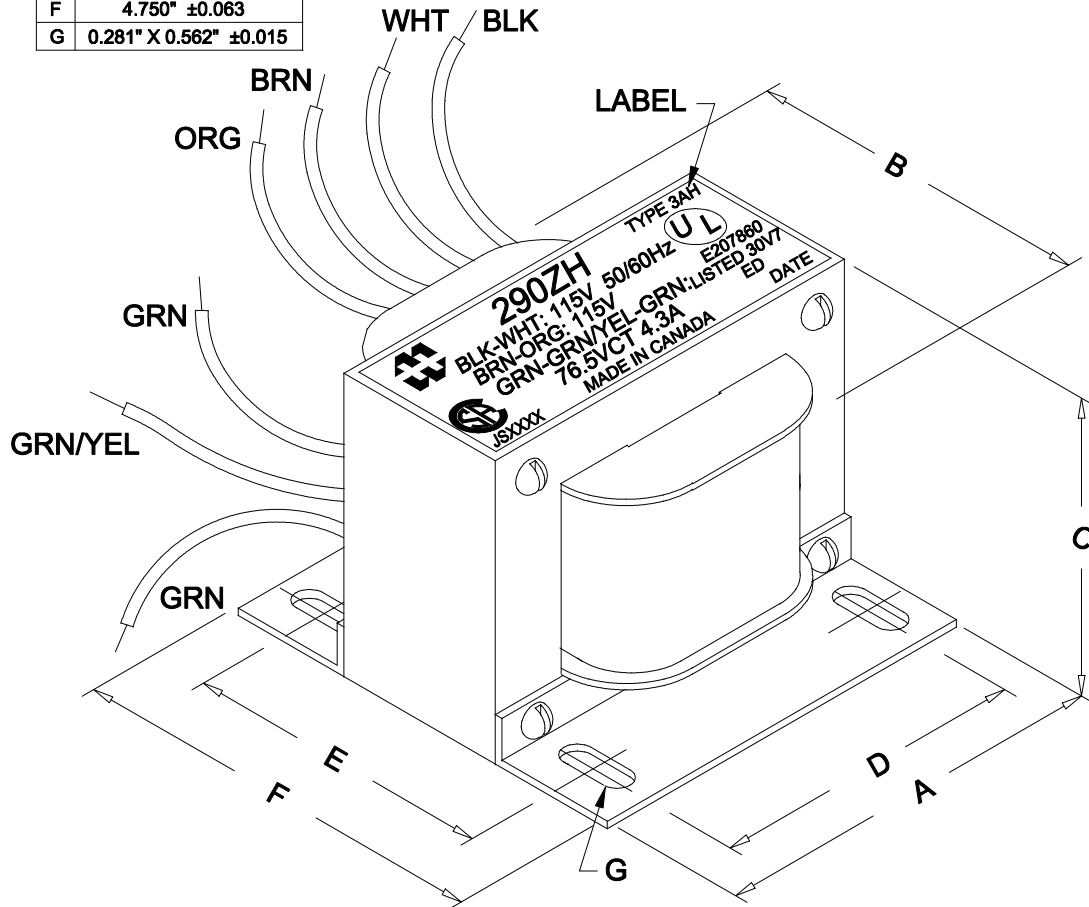


DIMENSIONS:	
A	4.500" ±0.063
B	4.500" ±0.125
C	3.750" ±0.063
D	3.750" ±0.063
E	4.000" ±0.063
F	4.750" ±0.063
G	0.281" X 0.562" ±0.015



check testing

ELECTRICAL DATA:			
TESTS	CONDITIONS	ACCEPTANCE CRITERIA	
Iex	@ 115V, 60Hz, BLK - WHT	489.6mA	Max.
Sec. N.L.V	@ 115V, 60Hz, BLK - WHT		
	BRN - ORG =	115.0V	±2%
	GRN - GRN/YEL = GRN/YEL - GRN =	39.38V	±2%
	GRN - GRN =	78.77V	±2%
DCR	@ 20°C, BLK - WHT =	0.926 Ω	±20%
	@ 20°C, BRN - ORG =	0.995 Ω	±20%
	@ 20°C, GRN - GRN =	0.190 Ω	±20%
HIPOT	PRIMARY - SECONDARY	2000V, 60Hz, 1 SEC	

NOTE: ALL LEADS 12" OUT MIN. STRIPPED 0.5"

REV.#	REVISION	DATE	HAMMOND MANUFACTURING™		ELECTRONIC DIVISION	
0	RELEASED.	C.I. 01/29/20	52 RANKIN PLACE, WATERLOO, ONTARIO, N2J 3Z5		PH # (519) 886-6181 FAX # (519) 886-9540	
			DWG. BY: C. ILIE	CHK'D BY:	TITLE: POWER TRANSFORMER	DWG. NO. 290ZH
			DATE: 01/29/20	APP'D. BY:		
				DIMENSIONS: IN(X) MM()		