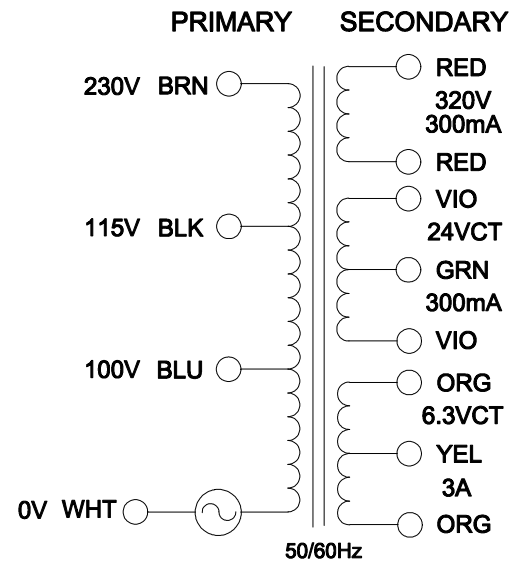
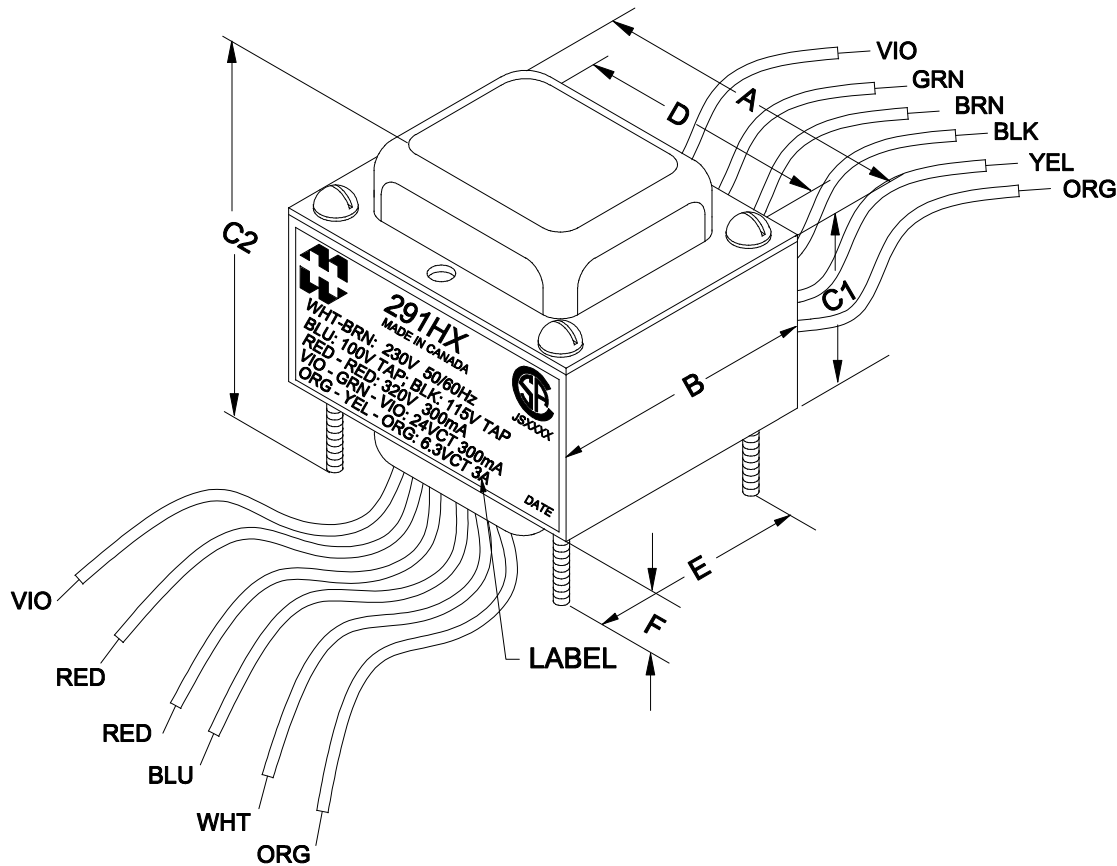


DIMENSIONS:	
A	3.375" ±0.063
B	2.813" ±0.063
C1	1.780" ±0.063
C2	3.250" ±0.125
D	2.813" ±0.063
E	2.250" ±0.063
F	0.625" ±0.125



ELECTRICAL DATA:		
TESTS	CONDITIONS	ACCEPTANCE CRITERIA
lex	@ 115V, 60Hz, WHT - BLK	168mA Max.
Sec. N.L.V	@ 115V, 60Hz, WHT - BLK	
	WHT - BLU =	100.1V ±2%
	WHT - BRN =	230.0V ±2%
	RED - RED =	337.5V ±2%
	VIO - GRN = GRN - VIO =	12.69V ±2%
	VIO - VIO =	25.39V ±2%
	ORG - YEL = YEL - ORG =	3.360V ±2%
	ORG - ORG =	6.721V ±2%
DCR	@ 20°C, WHT - BLU =	2.966 Ω ±20%
	@ 20°C, BLU - BLK =	0.443 Ω ±20%
	@ 20°C, BLK - BRN =	5.705 Ω ±20%
	@ 20°C, RED - RED =	31.98 Ω ±20%
	@ 20°C, VIO - VIO =	2.574 Ω ±20%
	@ 20°C, ORG - ORG =	0.069 Ω ±20%
HIPOT	PRIMARY - SECONDARY	2500V, 60Hz, 1 SEC

NOTE: ALL LEADS 12.0" MIN. OUT. STRIP 0.5"

REV.#	REVISION	DATE	HAMMOND ELECTRONIC DIVISION		PH # (519) 886-6181 FAX # (519) 886-9540
0	RELEASED.	C.I. 02/14/19	52 RANKIN PLACE, WATERLOO, ONTARIO, N2J 3Z5		
			DWG. BY: C. ILIE	CHK'D BY:	TITLE: POWER TRANSFORMER
			DATE: 02/14/19	APP'D. BY:	DWG. NO. 291HX
				DIMENSIONS: IN(X) MM( )	