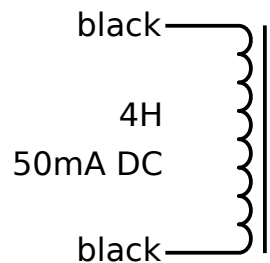


P-TGC-001 - 50mA Choke

Typical Characteristics

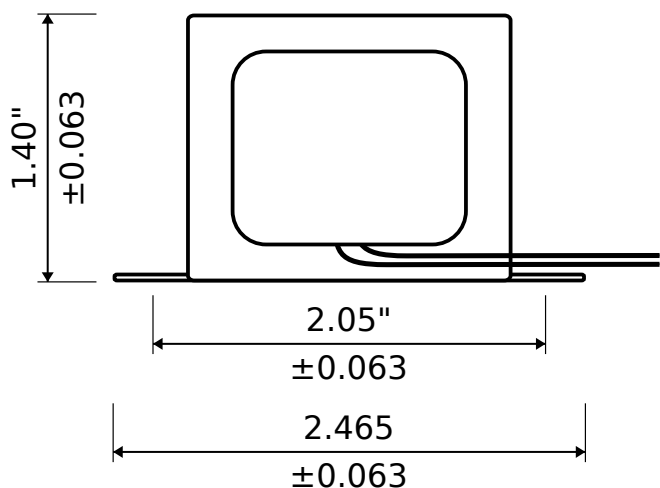
Inductance 4H @ 50mA DC $\pm 15\%$

DC Resistance $170\Omega \pm 15\%$



HI-POT: 1000VAC 60Hz 1mA 2 sec.

SIDE VIEW



TOP VIEW

