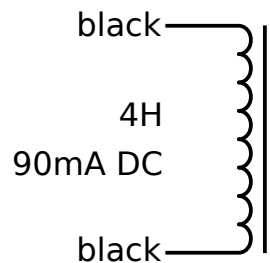


# P-TGC-002 - 90mA Choke

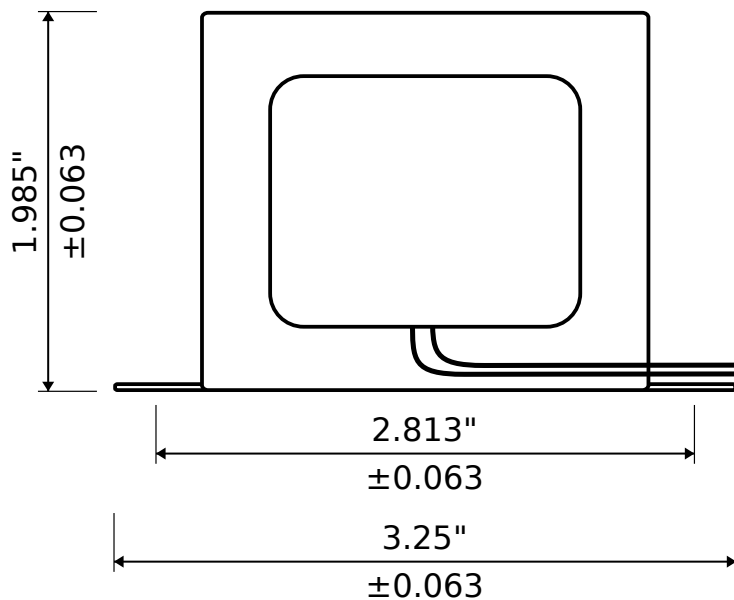
## Typical Characteristics

Inductance 4H @ 90mA DC  $\pm 15\%$   
DC Resistance  $104\Omega \pm 15\%$



HI-POT: 1000VAC 60Hz 1mA 2 sec.

SIDE VIEW



TOP VIEW

