

Features

- Knurled or plain shaft
- Metal shaft
- Conductive polymer element
- Very low noise
- Single-turn
- 250K and 500K resistance option
- Audio taper
- Long rotational life
- RoHS compliant*

Model 95 Premium Guitar Potentiometer

Initial Electrical Characteristics¹

Standard Resistance Value	250K and 500K ohms
Total Resistance Tolerance	±20 %
Independent Linearity	±5 %
Absolute Minimum Resistance	2 ohms maximum
Effective Electrical Angle	225 ° ± 5 °
Contact Resistance Variation	±1 %
Dielectric Withstanding Voltage (MIL-STD-202, Method 301)	
Sea Level	1,500 VAC minimum
70,000 Feet	500 VAC minimum
Insulation Resistance (500 VDC)	1,000 megohms minimum
Power Rating (Voltage Limited By Power Dissipation or 350 VAC, Whichever Is Less)	
+70 °C	0.25 watt
+125 °C	0 watt
Theoretical Resolution	Essentially infinite

Environmental Characteristics¹

Operating Temperature Range	-40 °C to +125 °C
Storage Temperature Range	-55 °C to +125 °C
Temperature Coefficient Over Storage Temperature Range	±1,000 ppm/°C
Vibration	15 G
Total Resistance Shift	±2 % maximum
Voltage Ratio Shift	±5 % maximum
Shock	30 G
Total Resistance Shift	±2 % maximum
Voltage Ratio Shift	±5 % maximum
Load Life	1,000 hours
Total Resistance Shift	±10 % maximum
Rotational Life (No Load)	100,000 cycles
Total Resistance Shift	±20 % maximum
Contact Resistance Variation @ 50,000 cycles	±3 %
Moisture Resistance (MIL-STD-303, Method 103, Condition B)	
Total Resistance Shift	±20 % TRS maximum
Insulation Resistance (500 VDC)	100 megohms minimum
IP Rating	IP 40

Mechanical Characteristics¹

Mechanical Angle	300 ° ± 5 °
Rotational Torque	0.7 oz-in (50 g-cm) typical
Weight	7 grams maximum
Terminals	Solder lugs
Soldering Condition	Recommended hand soldering using Sn95/Ag5 no clean solder, 0.025 " wire diameter. Maximum temperature 399 °C (750 °F) for 3 seconds. No wash process to be used with no clean flux.
Marking	Manufacturer's trademark, date code, resistance, manufacturer's part number
Hardware	One lockwasher and one mounting nut is shipped with each potentiometer, except where noted in the part number.

¹AT ROOM AMBIENT: +25 °C NOMINAL AND 50 % RELATIVE HUMIDITY NOMINAL, EXCEPT AS NOTED.



Asia-Pacific:

Tel: +886-2 2562-4117 • Fax: +886-2 2562-4116

Europe:

Tel: +41-41 768 5555 • Fax: +41-41 768 5510

The Americas:

Tel: +1-951 781-5500 • Fax: +1-951 781-5700

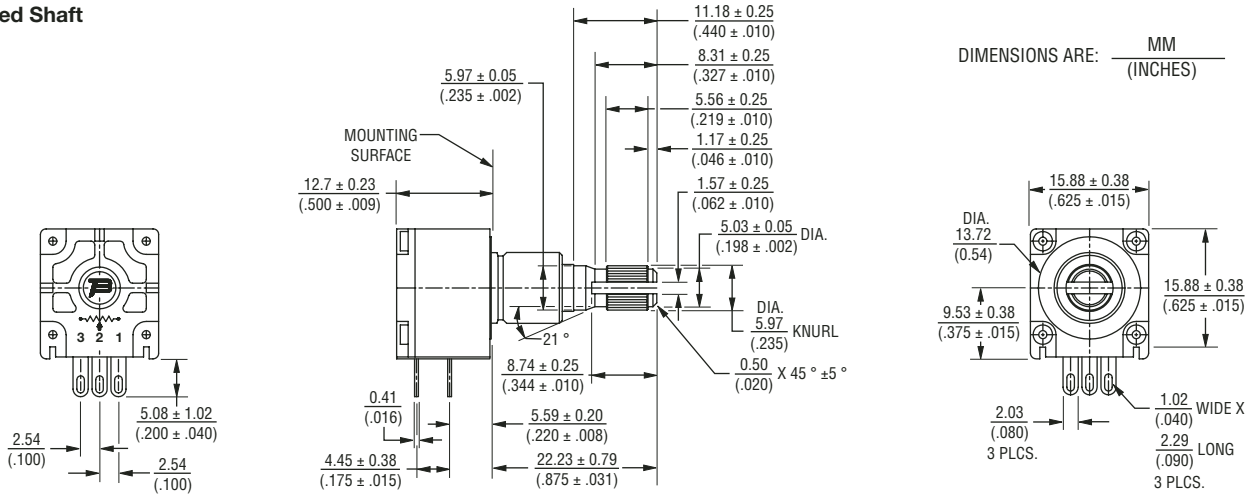
www.bourns.com

Model 95 Premium Guitar Potentiometer

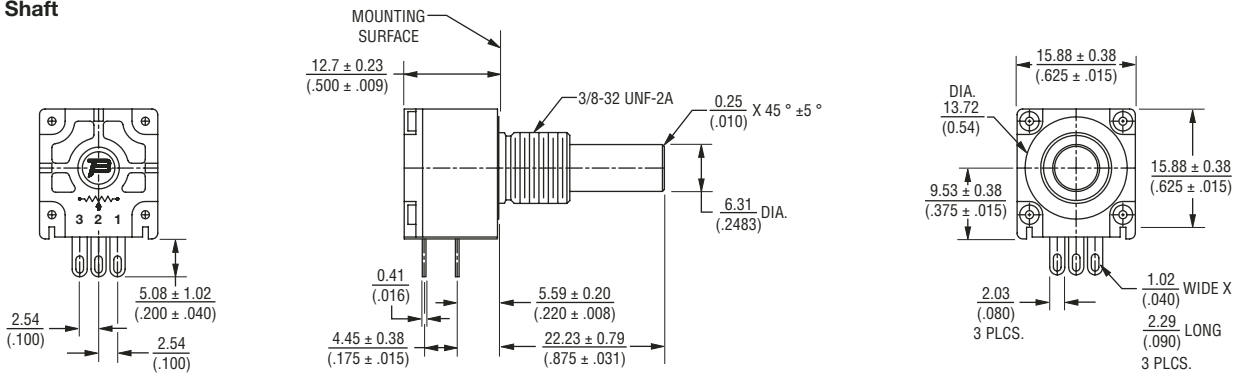
BOURNS®

Product Dimensions

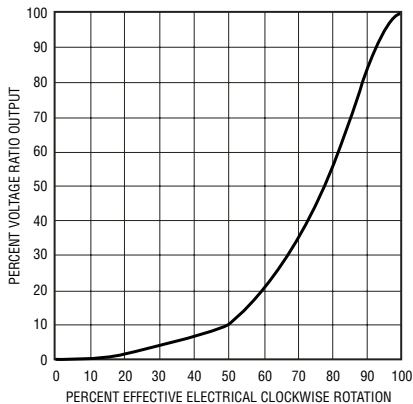
Knurled Shaft



Plain Shaft



Audio Taper Plot



Selection Guide

Part Number	Taper / Shaft	Resistance Value (Ω)
95A1D-Z28-EA0/300L	Audio / Knurled shaft	250K
95A1D-Z28-EA0/301L	Audio / Plain Shaft	250K
95A1D-Z28-EA0/302L	Audio / Knurled shaft	500K
95A1D-Z28-EA0/303L	Audio / Plain Shaft	500K