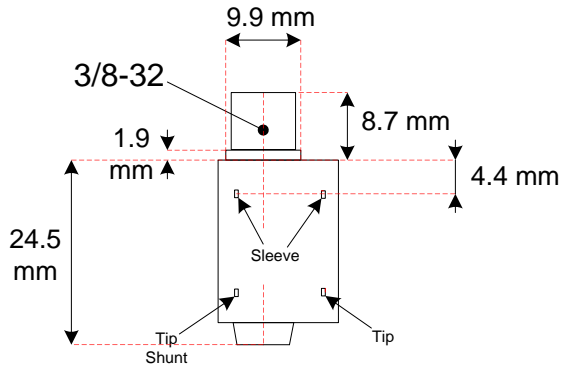
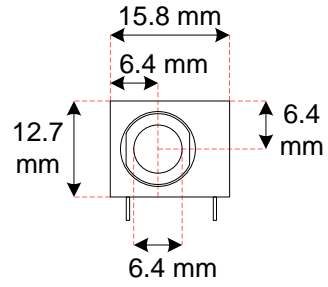
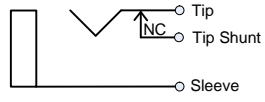


# S-H561

## Schematic



## Jack Bottom View

## Pin Hole Layout

