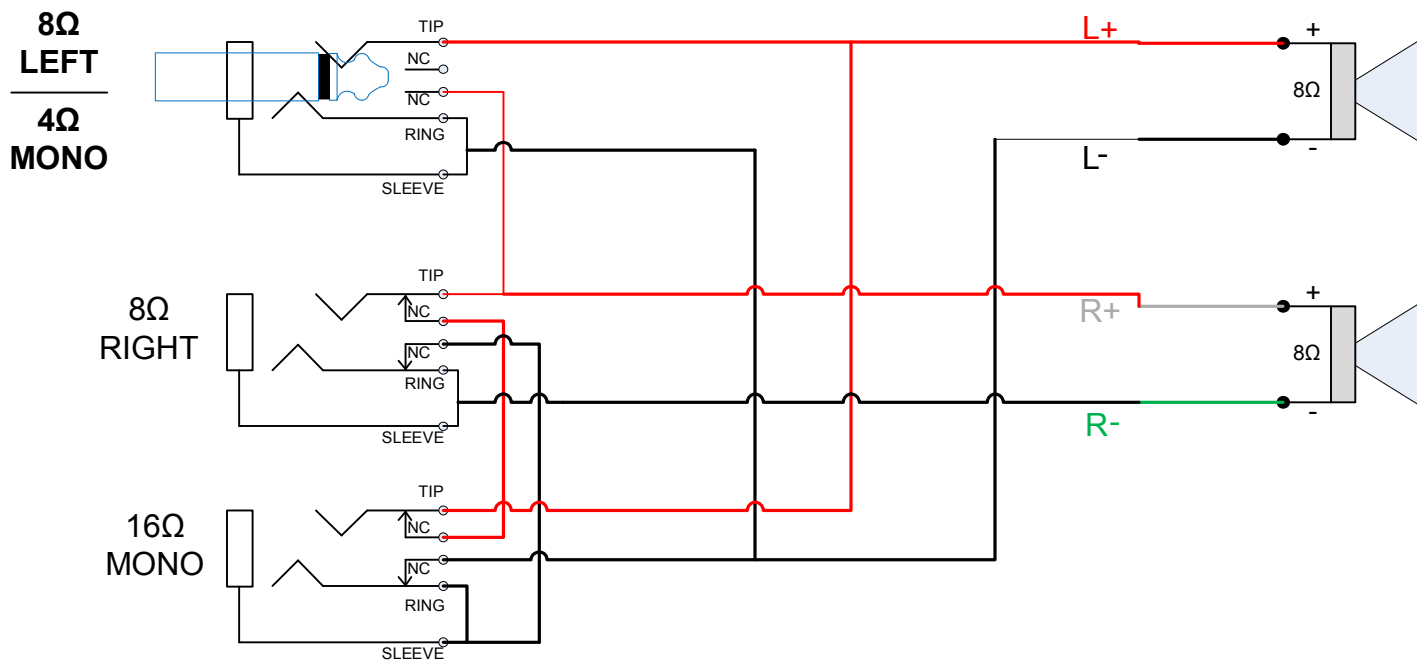
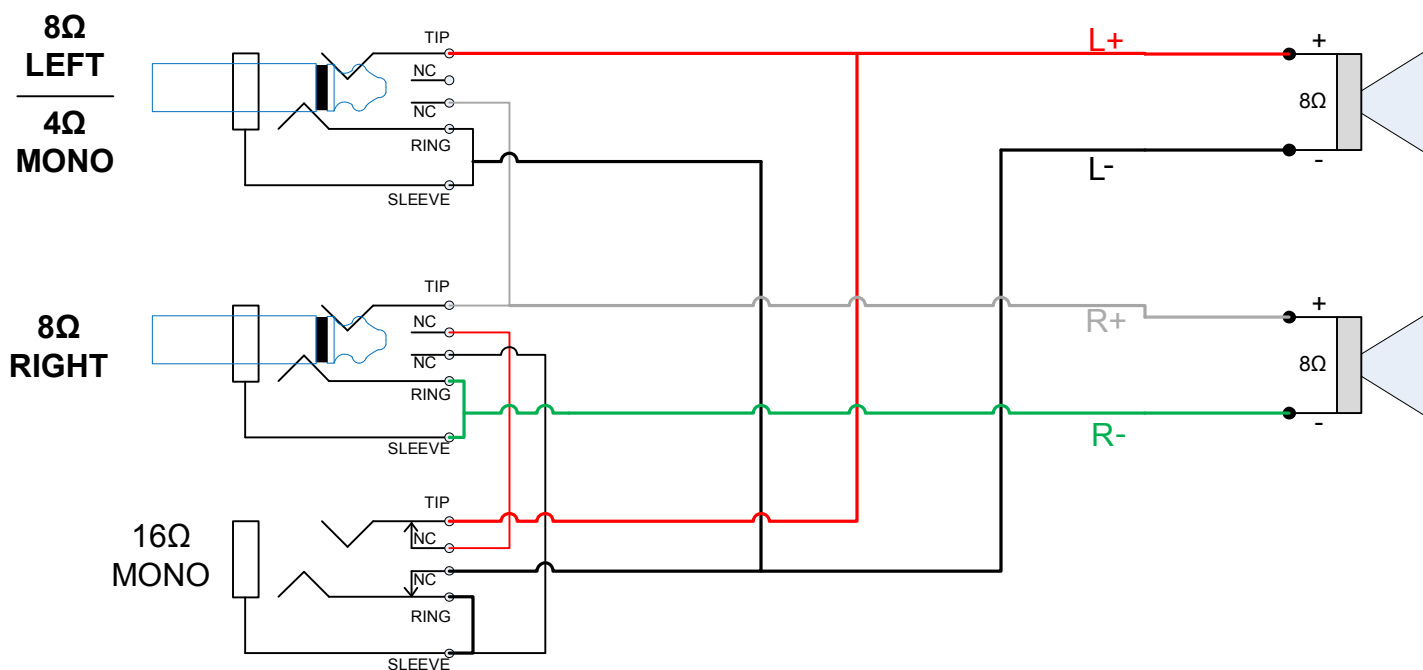


4 OHM MONO
L+ AND L- ARE IN PARALLEL WITH R+ AND R-



8 OHM LEFT + 8 OHM RIGHT STEREO
L+ AND L- ARE SEPARATED FROM R+ AND R-

8 OHM MONO (ONE SIDE ONLY)
INSERT AN OPEN PLUG (NOTHING CONNECTED) IN THE UNUSED SIDE



16 OHM MONO
L+ AND L- ARE IN SERIES WITH R+ AND R-

