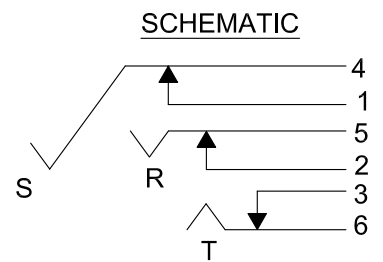
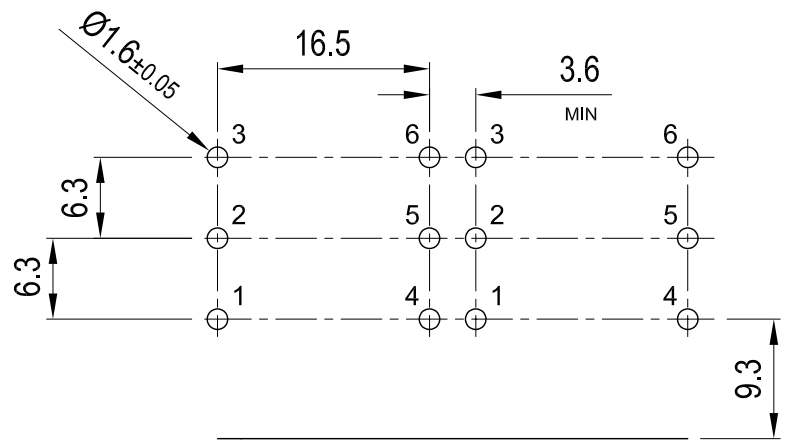


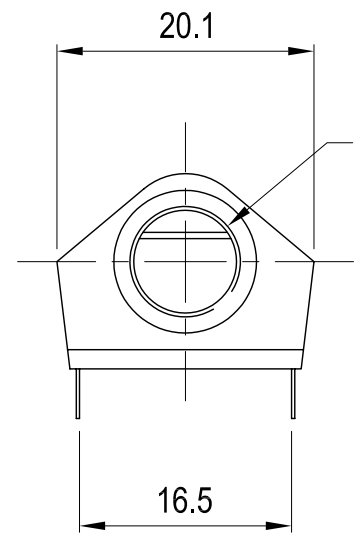
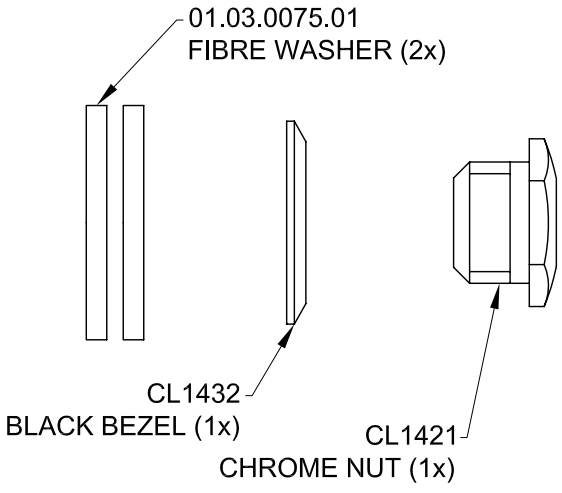
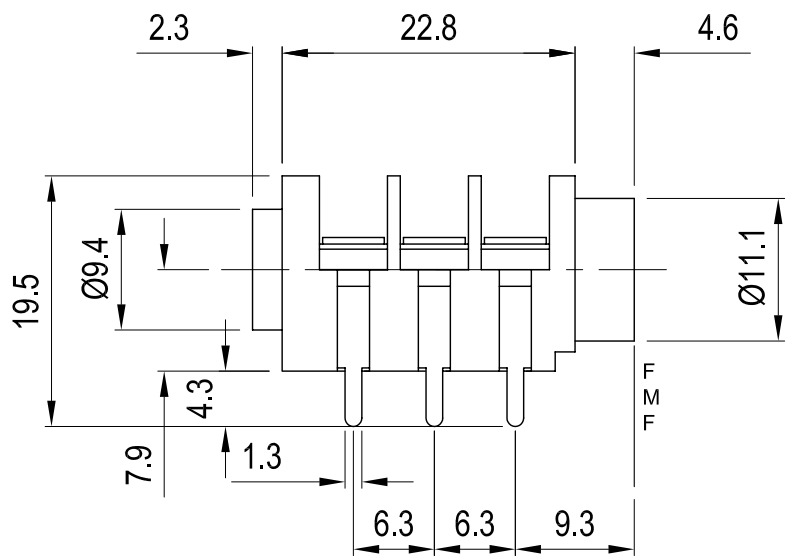
ISS.	AMEND	DATE
1	ISSUED	15/06/2012
2	CL1310 ADDED	21/06/12



SWITCH CONTACTS OPEN WHEN PLUG IS INSERTED, CLOSE WHEN PLUG IS WITHDRAWN.

NOTE: CENTRE CONTACTS 2 + 5 OMITTED ON MONO VERSION

FRONT MOUNTING FACE
PC LAYOUT VIEWED FROM COMPONENT SIDE



INTERNAL THREAD
3/8" BSF x 20 TPI

PART No.	DESCRIPTION	TYPE
CL1334	S4/BBB/PCC/WNB	STEREO
CL1310	S4/BNB/PCC/WNB	MONO

ALL PARTS SUPPLIED UNASSEMBLED

RoHS COMPLIANT

TOLERANCE
NO DEC. PLACE ±
1 DEC. PLACE ±
2 DEC. PLACE ±
HOLE Ø ±
ANGLES ±
UNLESS OTHERWISE STATED

Cliff Electronic Components Ltd.
76 Holmehorpe Avenue, Holmehorpe Industrial Estate,
Redhill, Surrey, RH1 2PF, England, UK
Tel: 01737-771375 Fax: 01737-766012 Website: www.cliffuk.co.uk

THE CONTENTS OF THIS DOCUMENT MUST NOT BE COPIED OR DISCLOSED TO A 3rd PARTY WITHOUT WRITTEN PERMISSION OF CLIFF UK. © 2012

DIMENSIONS IN MILLIMETERS UNLESS OTHERWISE STATED. WORK TO DIMENSIONS. REMOVE ALL BURRS. IF IN DOUBT ASK.		3rd ANGLE PROJECTION:	DO NOT SCALE
MATERIAL: NYLON / NiAg / ACETAL	TITLE: S4/BBB/PCC/WNB UNASS JACK SOCKET		
FINISH: AS MOULDED	DRWG. No. CL1334	FORM: A4DRWGH	
DRAWN: TJO	APPROVED: D.P.J.		