



PSVANE

5881

6L6GC, 7581, 7581A

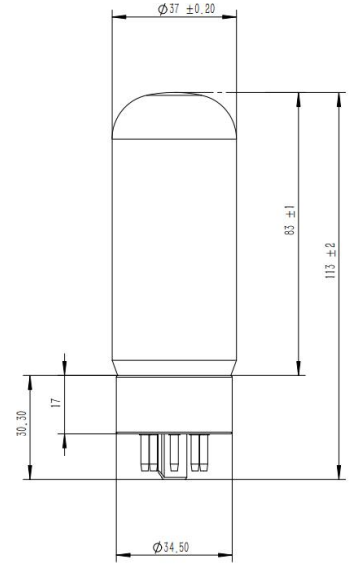
Base: OCTAL

$U_f = 6.3V$

$I_f = 0.9A$

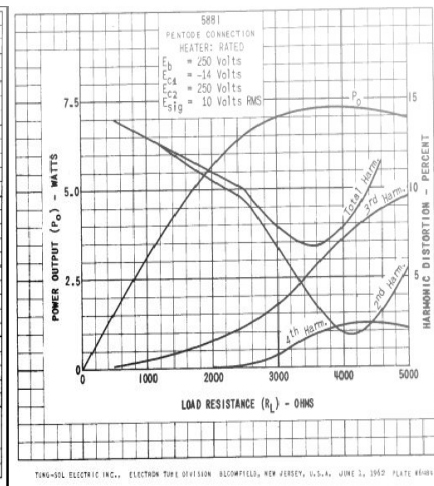
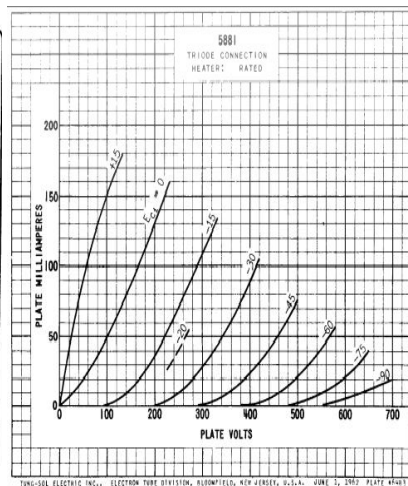
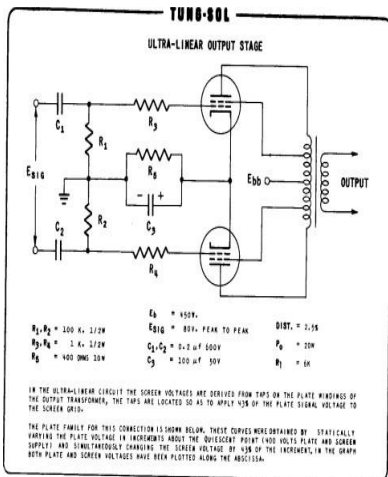
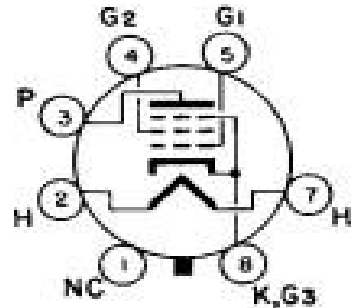
Operating Characteristics:

U_a	250V
U_{g2}	250V
U_{g1}	14V
Peale Negative Plate Voltage	14V
S	100 $\mu A/V$
$I_a(0)$	75mA
$I_a(\text{max. sig})$	80mA
$I_{g2}(0)$	4.3mA
$I_{g2}(\text{max. sig})$	7.6mA
Load Resistance	2500 Ω
Total Harmonic Distortion	10%
Power Output	6.7W



Limiting Values:

U_a	400V
U_{g2}	400V
P_a	23W
P_{g2}	3W
U_{HK}	200V
R_{g1}	0.1m Ω



TUNO-SOL ELECTRIC INC., ELECTRON TUBE DIVISION, ALDENFIELD, NEW JERSEY, U.S.A. WIRE 3, 1967 PLATE #4467

TUNO-SOL ELECTRIC INC., ELECTRON TUBE DIVISION, ALDENFIELD, NEW JERSEY, U.S.A. WIRE 3, 1967 PLATE #4467