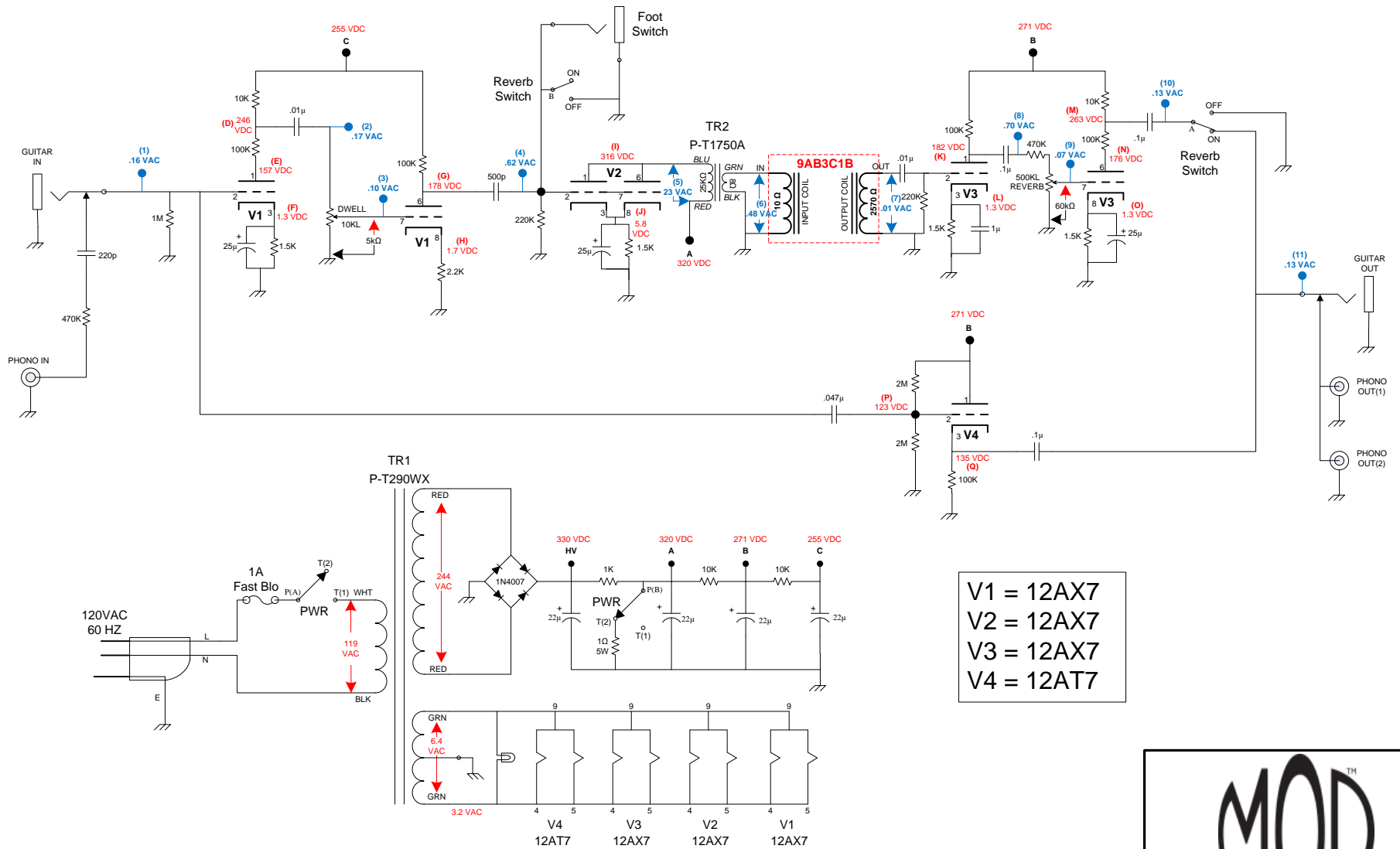


- DC voltages were measured with respect to ground.
- AC voltages measured from strat neck pickup position, strumming an open E chord with 10KL dwell pot set to 12:00 = 5kΩ and 500KL reverb pot set to 9:00 = 60kΩ. Test point 5 measured from Blue to Red, all other test points measured with respect to ground.



MODTM

www.modkitsdiy.com
Copyright © 2014 by modkitsdiy.com

"The Wave" (K-MOD103)
Schematic