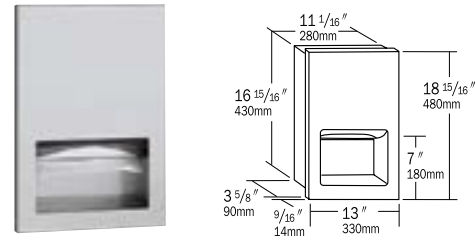


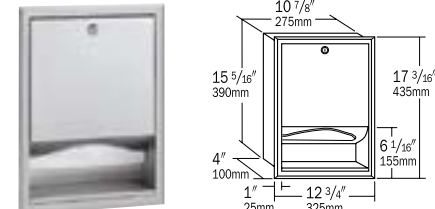
Paper Towel Dispensers



B-35903 TrimLineSeries RECESSED PAPER TOWEL DISPENSER

Satin-finish stainless steel. Door has 90° return. Dispenses 300 C-fold or 400 multifold towels.

369-130 TowelMate Accessory



B-359 ClassicSeries RECESSED PAPER TOWEL DISPENSER

Satin-finish stainless steel. Seamless beveled flange. Dispenses 350 C-fold or 475 multifold towels. Door equipped with full-length stainless steel piano-hinge at bottom; swings down for easy filling.

369-130 TowelMate Accessory



B-4262 ConturaSeries SURFACE-MOUNTED PAPER TOWEL DISPENSER WITH TowelMate

Satin-finish stainless steel. Tumbler lock on top of cabinet. Door swings down for loading towels. Dispenses 400 C-fold or 525 multifold towels. Cabinet slots indicate refill time. Unit 10 13/16" W, 13 1/4" H, 4 7/8" D.

369-130 TowelMate Accessory



B-262 ClassicSeries SURFACE-MOUNTED PAPER TOWEL DISPENSER

Satin-finish stainless steel. Dispenses 400 C-fold or 525 multifold towels. Door has tumbler lock and piano-hinge. Hemmed towel tray opening. Unit 10 3/4" W, 14" H, 4" D.

B-2620 Similar to B-262, but with knob-latch.

262-130 TowelMate Accessory



B-2621 ClassicSeries SURFACE-MOUNTED PAPER TOWEL DISPENSER

Satin-finish stainless steel. Dispenses 200 C-fold or 275 multifold towels. Door has knob-latch. Hemmed towel tray opening. Unit 10 3/4" W, 7 1/8" H, 4" D.

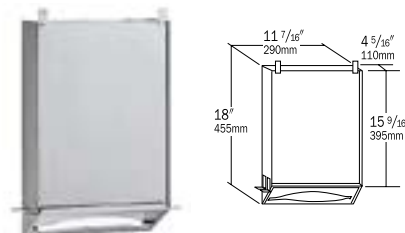
B-26212 Similar to B-2621, but with tumbler lock.

262-130 TowelMate Accessory



B-263 SURFACE-MOUNTED PAPER TOWEL DISPENSER

Satin-finish stainless steel. Tumbler lock on top of cabinet. Dispenses 400 single-fold towels. Cabinet slots indicate refill time. Unit 12 1/8" W, 7 1/4" H, 6 1/8" D.



B-318 CONCEALED PAPER TOWEL DISPENSER

Satin-finish stainless steel. Dispenses 600 C-fold or 800 multifold towels. Towels load into bottom of cabinet concealed behind wall or mirror; only the towel tray is visible.



B-5262 MatrixSeries SURFACE-MOUNTED PAPER TOWEL DISPENSER

Durable ABS plastic; grey color. Dispenses 400 C-fold or 525 multifold towels. Cabinet slots indicate refill time. Door has concealed locking device. Unit 11 1/2" W, 15 1/4" H, 4 3/4" D.

Certified ADA-Compliant Napkin/Tampon Vendors

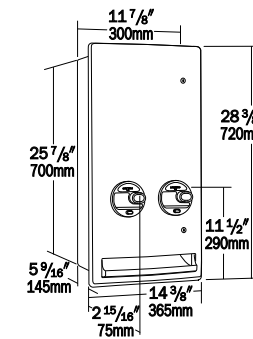


Push-button operation, less than 5 lbs of force, no grasping, pinching or twisting of the wrist.



- Meets ADA-ABA and ICC/ANSI Accessibility Guidelines for Operation.
- Easy access product tray.
- For 25¢, add 25 to model number. For no-charge operation, add C to model number. For Token operation, add T to model number. Easy coinage conversion in the field.
- Mechanical operation, no batteries or electricity required.
- Returned coin by-pass mechanism and drop into product tray.
- Push-button coin return cancels product selection.
- Empty product indicator automatically blocks coin slot.
- Holds 30 tampons, 20 napkins.
- Keyed like other Bobrick accessories.
- Separately-keyed coin box lock for management access.

50¢ Conversion Kits available contact customer service.



ConturaSeries

B-4706 RECESSED*

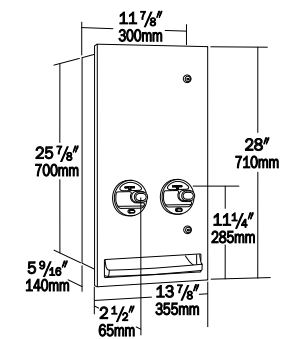
Door with 27° arc and two flush door locks; soft radius on edges and corners.

B-47064 SEMI-RECESSED*

Similar to B-4706, but with stainless steel skirt for semi-recessing in 4" deep walls.

B-47069 SURFACE-MOUNTED

Similar to B-4706, but with stainless steel skirt for surface mounting.



TrimLineSeries

B-37063 RECESSED*

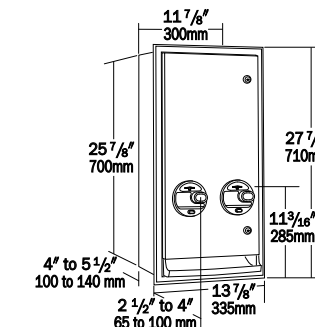
Flat door design has 90° returns, conceals flange.

B-370634 SEMI-RECESSED*

Similar to B-37063, but with stainless steel skirt for semi-recessing in 4" deep walls.

B-370639 SURFACE-MOUNTED

Similar to B-37063, but with stainless steel skirt for surface mounting.



ClassicSeries

B-3706 RECESSED OR SEMI-RECESSED*

Adjustable seamless beveled flange allows fully-recessed installation in 6" deep walls or semi-recessed installation in 4" to 6" deep walls.



ClassicSeries

B-2706 SURFACE-MOUNTED

Similar to B-3706 without adjustable flange for surface mounting.



3706-176 FLANGE KIT

For use with ADA-Compliant Push-Button Operated Vendors. Allows for recessing ADA-Compliant Push-Button Operated Napkin Tampon Vendors into pre-existing wall openings with larger dimensions.

*Complies with ADA-ABA and ICC/ANSI Protruding Objects Limit of maximum 4" protrusion into circulation path depending on wall depth.