

INSTALLATION INSTRUCTION SHEET

5288-10 RETROFIT TUMBLER LOCK KIT FOR BOBRICK MODELS B-5262 AND B-5288

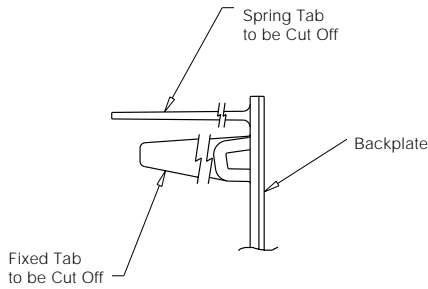


Figure 1

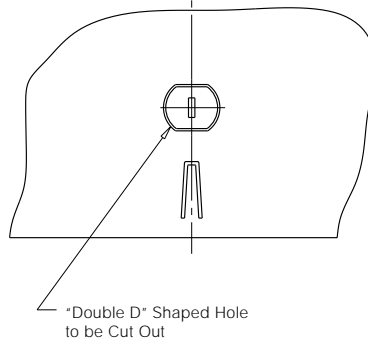


Figure 2

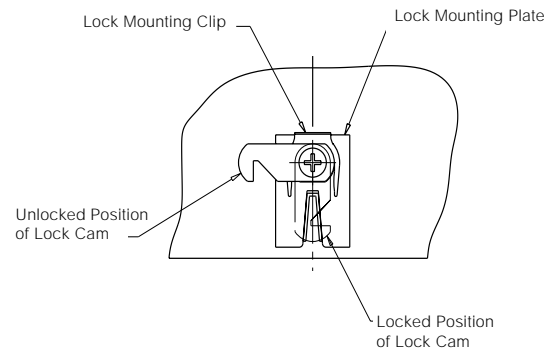


Figure 3

INSTALLATION:

1. Cut spring tab and fixed tab off of backplate (see Figure 1).
2. Cut out "Double D" shaped hole in top of door. Cut from the inside out, through "Double D" shaped groove (see Figure 2). Resulting lock hole should accept the matching shape of the lock body.
3. Install lock into lock hole with lock cam in unlocked position as shown in Figure 3.
4. Install lock mounting plate over the lock at the inside top of the door so that the plate rests flush with the inside surface of the door (see Figure 3).
5. Secure lock into place by sliding lock mounting clip into slots in side of lock body, at the inside of the lock mounting plate material (see Figure 3).



© 2001 by Bobrick Washroom Equipment, Inc.
Form No. 5288-169 Revised 1/98 Printed in U.S.A.

In the U.S.A.: BOBRICK WASHROOM EQUIPMENT, INC.

200 Commerce Drive, Clifton Park, New York 12065-1350 • Tel: (518) 877-7444 • FAX: 518-877-5029
11611 Hart Street, North Hollywood, California 91605-5882 • Tel: (818) 982-9600 • FAX: 818-503-1102
225 Bobrick Drive, Jackson, Tennessee 38301-5635 • Tel: (901) 424-7000 • FAX: 901-424-7800

In Canada: BOBRICK WASHROOM EQUIPMENT OF COMPANY

45 Rolark Drive, Scarborough, Ontario M1R 3B1 • Tel: (416) 298-1611 • FAX: 416-298-6351

INSTALLATION INSTRUCTION SHEET

5288-10 RETROFIT TUMBLER LOCK KIT FOR BOBRICK MODELS B-5262 AND B-5288

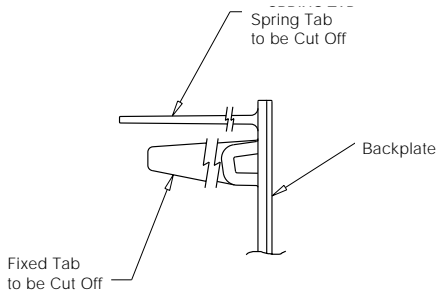


Figure 1

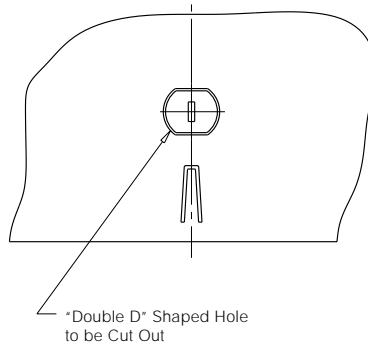


Figure 2

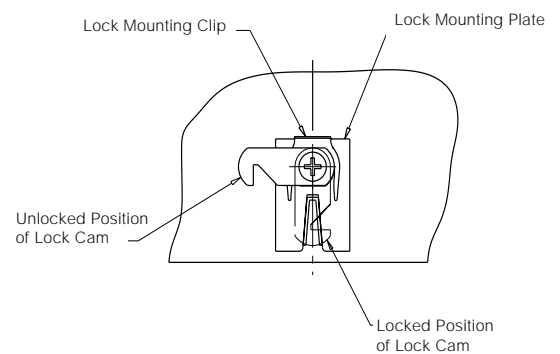


Figure 3

INSTALLATION:

1. Cut spring tab and fixed tab off of backplate (see Figure 1).
2. Cut out "Double D" shaped hole in top of door. Cut from the inside out, through "Double D" shaped groove (see Figure 2). Resulting lock hole should accept the matching shape of the lock body.
3. Install lock into lock hole with lock cam in unlocked position as shown in Figure 3.
4. Install lock mounting plate over the lock at the inside top of the door so that the plate rests flush with the inside surface of the door (see Figure 3).
5. Secure lock into place by sliding lock mounting clip into slots in side of lock body, at the inside of the lock mounting plate material (see Figure 3).



© 2001 by Bobrick Washroom Equipment, Inc.
Form No. 5288-169 Revised 1/98 Printed in U.S.A.

In the U.S.A.: BOBRICK WASHROOM EQUIPMENT, INC.

200 Commerce Drive, Clifton Park, New York 12065-1350 • Tel: (518) 877-7444 • FAX: 518-877-5029
11611 Hart Street, North Hollywood, California 91605-5882 • Tel: (818) 982-9600 • FAX: 818-503-1102
225 Bobrick Drive, Jackson, Tennessee 38301-5635 • Tel: (901) 424-7000 • FAX: 901-424-7800

In Canada: BOBRICK WASHROOM EQUIPMENT OF COMPANY

45 Rolark Drive, Scarborough, Ontario M1R 3B1 • Tel: (416) 298-1611 • FAX: 416-298-6351