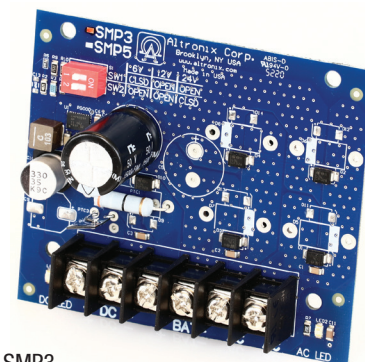


SMP3

Power Supply/Charger

Altronix SMP3 power supply/charger converts a low voltage AC input into a 6VDC, 12VDC or 24VDC output. This unit has a wide range of applications for access control, security and CCTV system accessories that require additional power.



SMP3

Specifications

Input

Voltage 16VAC to 28VAC.

Outputs

Voltage 6VDC, 12VDC or 24VDC selectable.

Current 2.5A continuous max.

Other Short circuit and thermal overload protection.
Filtered and regulated.

Back-up Battery *(not included)*

Type Sealed lead acid or gel type.

Failover Upon AC loss, instantaneous.

Indicators (LED)

Input Input voltage is present.

DC Output Powered.

Physical and Environmental

Dimensions (L x W x H)

3.5" x 3" x 2" (88.9mm x 76.2mm x 50.8mm).

Product Weight 0.25 lbs. (0.12 kg).

Shipping Weight 0.35 lbs. (0.16 kg).

Temperature

Operating 0°C to 49°C (32°F to 120°F).

Storage -20°C to 70°C (-4°F to 158°F).

Relative Humidity 85% +/-5%.

BTU/Hr (approx.):

6VDC: 8 BTU/Hr.

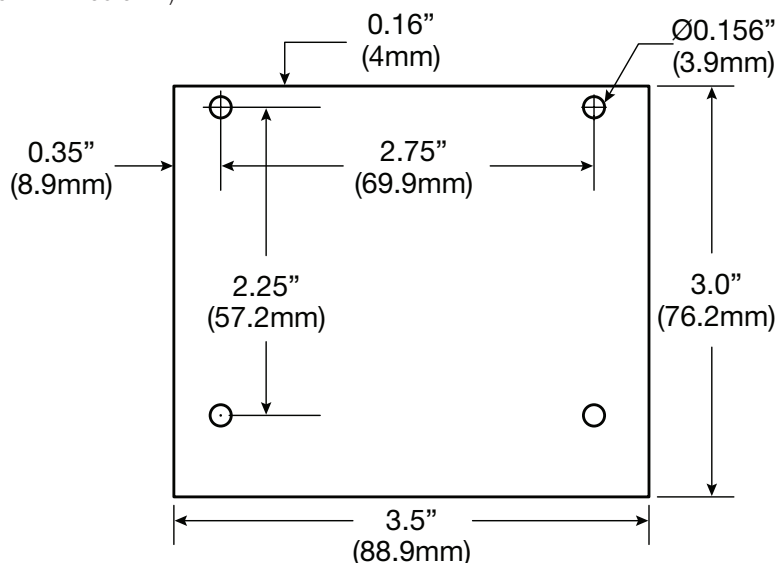
12VDC: 15 BTU/Hr.

24VDC: 31 BTU/Hr.

Mounting hardware included.

Board Dimensions (L x W x H) and Drawing

3.5" x 3" x 2" (88.9mm x 76.2mm x 50.8mm)



Lifetime Warranty