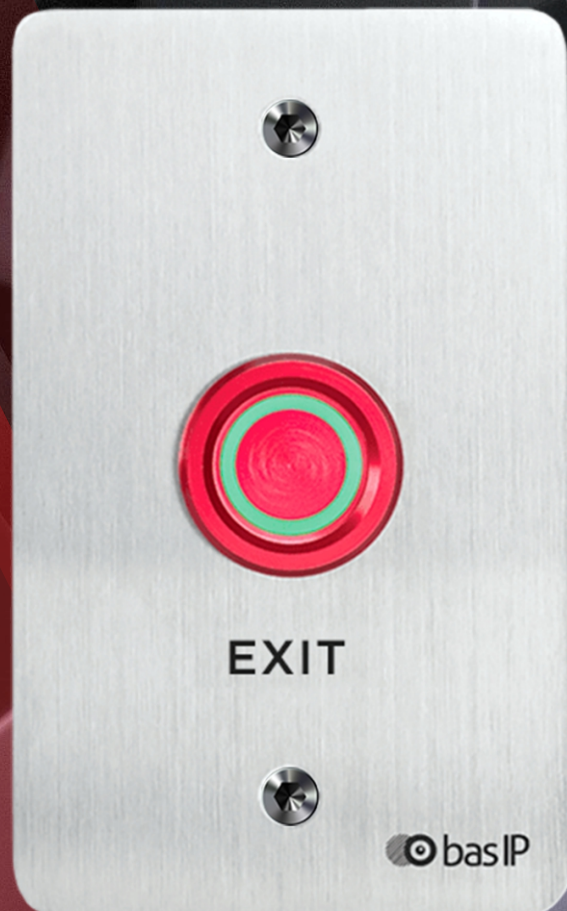


SH-45E





Main feature

- Piezoelectric button.
- Display: No.
- Power supply: +12 V DC (+ 0,5%, - 15%).
- Work resource: more than 50 million clicks.
- Degree of protection: IP68.
- Permissible humidity: 10% – 96%.
- Temperature condition: -40 – +65 °C.
- Contact closure time: 50 ms.
- Body: Metal.
- Colors: Black, Silver.
- Dimensions: 70 × 114 × 19,5 mm.
- Diameter: 29.5 mm.
- Wheelbase for mounting screws: 83.5 mm.
- Distance (radius) from the center to the screw hole: 41.75 mm.

EXIT BUTTON

SH-45E



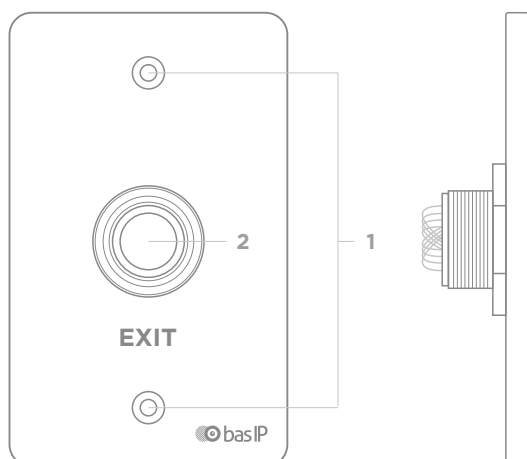
Full User Manual
wiki.bas-ip.com

Device description

The SH-45E is a piezoelectric exit button, non-sparkling, non-magnetic, corrosion-resistant, anti-vandal, backlit, and is intended for indoor and outdoor use.

A distinctive feature of the button is the piezoelectric technology used when pressing the touch panel of the button, instead of using a conventional mechanical button. And another feature of the SH-45E exit button is its lifecycle, which consists of 50 million clicks. In addition, the SH-45E has a degree of protection IP68 and can work in all weather conditions.

Appearance



- 1 - Screw holes.
- 2 - Piezoelectric button.

Completeness check of the product

Before installation of the exit button, it is necessary to check that it is complete and all components are available.

Exit button kit includes:

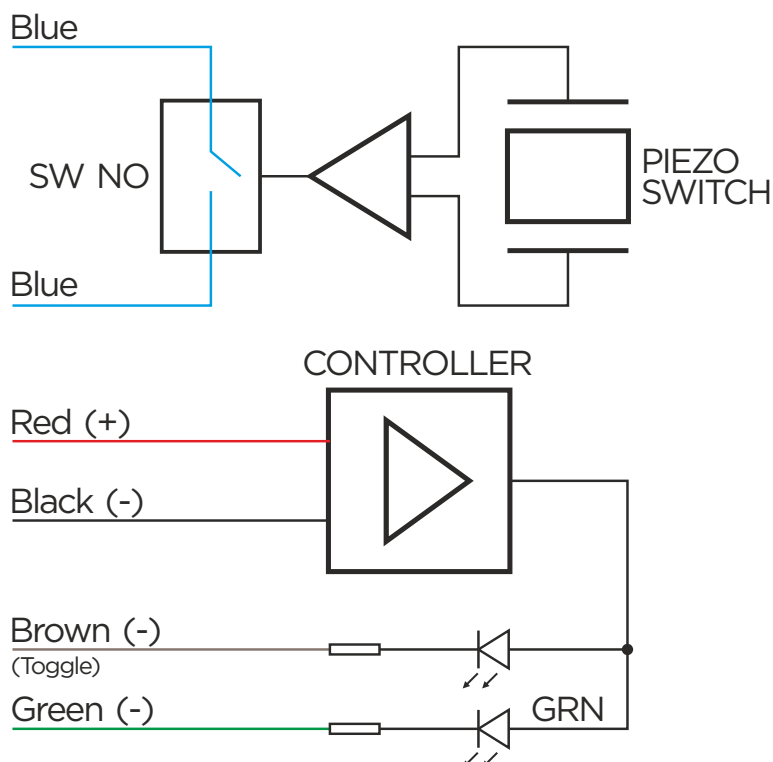
Exit button	1 pc
Manual	1 pc
Wrench set screws	1 pc

Electrical connection

After verifying the device's completeness, you can switch to the exit button connection.

IMPORTANT

- It is strictly forbidden to supply more than + 12.1V to the SH-45E button.
- It is not allowed to exceed the current flowing through the switch contacts of more than 100 mA.
- It is strictly forbidden to use the SH-45E button to use the power supply used to power the lock.
- It is necessary to use a separate power supply to which locks and other high-consumption equipment are not connected.



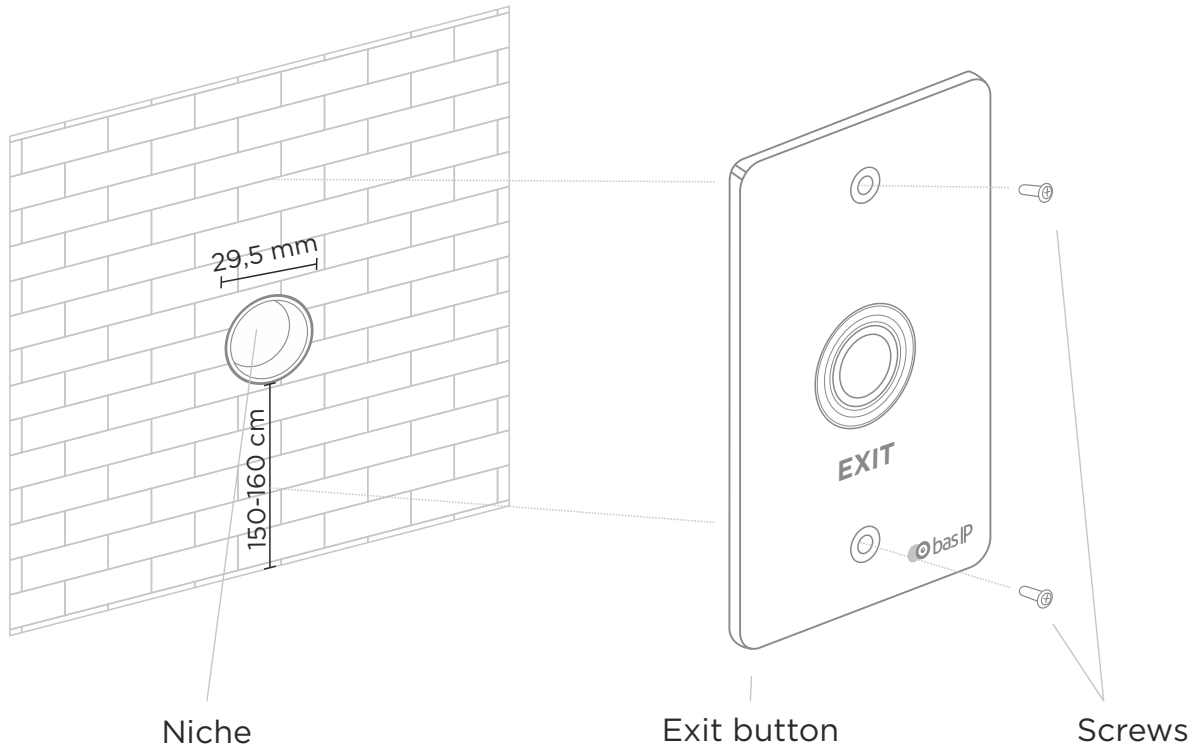
Purpose of wires:

- 2 Blue: Output of dry NO contacts.
- Red: +12V, to power button.
- Black: Ground.
- Brown: Setting the device to trigger mode.
- Green: Change the color of the backlight to green.

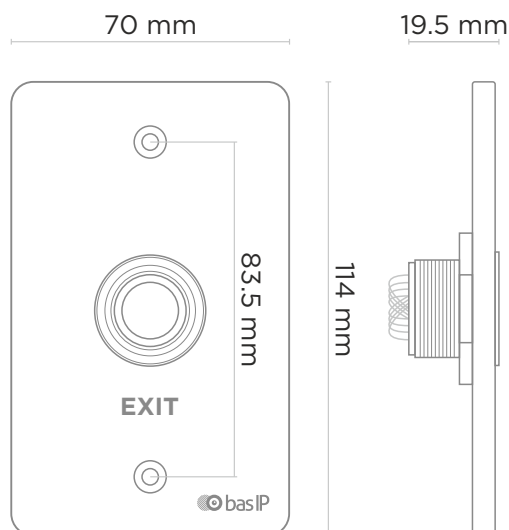
Mechanical mounting

Before mounting the exit button, a hole or recess in the wall with diameter 29.5 mm must be provided.

It is also necessary to provide supply of a power cable, additional modules and the local network.



Exit button



Warranty

The warranty card number _____

Model name _____

Serial number _____

Seller name _____

With following stated terms of warranty is familiar, functional test was performed in my presence:

Customer signature _____

Warranty conditions

The warranty period of the product — 36 (thirty-six) months from the date of sale.

- Transportation of product must be in its original packaging or supplied one by the seller.
- The product is accepted in warranty repair only with a properly filled warranty card and the presence of intact stickers or labels.
- The product is accepted for examination in accordance with the cases provided by law, only in the original packaging, in a full complete set, appearance corresponding to the new equipment and presence of all relevant properly filled documents.
- This warranty is in addition to the constitutional and other consumer rights and in no way restrict them.

Terms of warranty

- The warranty card must indicate the name of the model, serial number, purchase date, name of the seller, seller company stamp and the customer's signature.
- Delivery to the warranty repair is carried out by the buyer himself.
- Warranty repairs carried out only during the warranty period specified in the warranty card.
- The service center is committed to do everything possible to carry out the repair warranty products, up to 24 working days. The period spent on the restoration of product functionality is added to the warranty period.



www.bas-ip.com