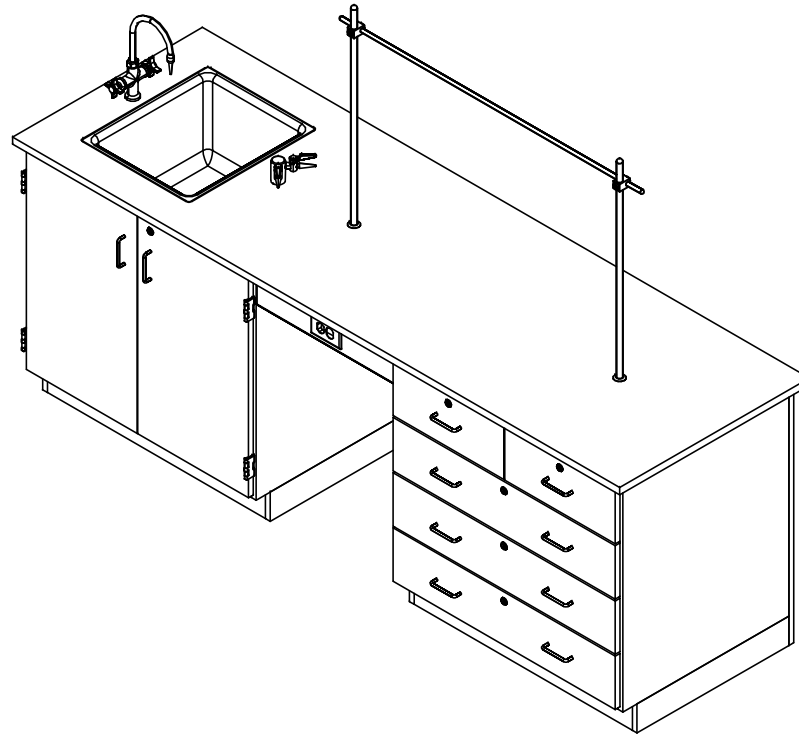


# 8' INSTRUCTOR DESK

1114K, 1114KF, 1116K, & 1116KF SERIES

## ASSEMBLY INSTRUCTIONS



**NOTE:**

1. MODEL VIEWS MAY NOT REPRESENT EXACT MODEL PURCHASED

DWN BY:	EMK	DWN DATE:	11/8/16
APR BY:		DATE APR:	
APR BY:		DATE APR:	



300 South Krueger Street  
Suring, WI 54174  
diversifiedwoodcrafts.com

UNLESS OTHERWISE SPECIFIED  
DIMENSION ARE IN INCHES  
  
CABINET SQUARENESS ± .0625  
FRACTIONAL VALUES ± 1/32"  
- ALL VALUES ± OVERALL -

TITLE:  
**8' INSTRUCTOR DESK  
ASSEMBLY INSTRUCTIONS**

REV.	DESCRIPTION	DATE	NAME	ECN NO.
A	CREATED DRAWING	11/8/16	EMK	-
REVISION LEVEL				

THIS DRAWING IS THE SOLE PROPERTY OF  
DIVERSIFIED WOOD CRAFTS. IT MAY NOT  
BE ALTERED OR CHANGED WITHOUT  
PERMISSION

DRAWING NUMBER:	SCALE:	SHEET:	REVISION:
1114K & KF, 1116K & KF	NTS	1 OF 8	REV A

## TOOLS REQUIRED

CONTACT CEMENT
SCREW DRIVER
C-CLAMPS
SHIM STOCK (IF NEEDED)

## ASSEMBLY COMPONENTS

ITEMS INCLUDED	PART #	PART DESCRIPTION	QTY
TOP	VARIES	TOP, (STYLE VARIES), 1.00X30X96,BLK, (EITHER FIXTURE OR FLAT)	1
CABINET	N/A	B86 - 36"W X 35"H X 26.25"D	1
CABINET	N/A	B23 - 36"W X 35"H X 26.25"D	1
BACK PANEL	N/A	94"W X 35"H X 0.75"D	1
APRON	N/A	0.81"THK X 4.50"W X 22"L	1
SCREWS - BACK PANEL	100478	SCREW,#8X1 ¼ SQ. WASHER FLAT HEAD	12
L BRACKET	100355	BRACKET, RAIL 1.25X1.25X4.25	2
SCREWS - L BRACKET	100649	SCREW,#8X¾ PHIL TRUSS HEAD SMS	8
SILICONE	100711	SILICONE,SEALANT,CLEAR	1
RUBBER BASE MOLDING	100283	RUBBER BASE MOLDING (SOLD BY FOOT)	25
STAINLESS STEEL CORNERS	100057	CORNER-STAINLESS STEEL, BASE	8
SCREWS - BASE	100064	SCREW,#6X½ PTH SMS SS SCREW	32
ELECTRICAL BOX	100033	ELECTRICAL BOX 3.00X2X2.5 DEEP	1
ELECTRICAL OUTLET	100034	ELEC,OUTLET,GFI,20A 125V, BLK	1
**FIXTURE - FAUCET**	100048	FIXTURE,L4100FH-132AWSA 90 DEGREE-G	1
**FIXTURE - FAUCET**	100467	FIXTURE,L414 HOT & COLD MIXING	1
**FIXTURE - SINK**	100699	SINK,EPOXY L30,BLK	1
**FIXTURE - SINK TRAP**	100056	SINK TRAP,PLASTIC ADJUSTABLE	1
**FIXTURE - SINK STOPPER**	100112	SINK STOPPER 1 ½,BLK	1
**FIXTURE - STRAINER**	100055	SINK,OUTLET/STRAINER EPOXY,BLK	1

**NOTE:**

1. TOPS ARE EITHER PHENOLIC OR EPOXY.
2. \*\*XX\*\* INDICATES ITEMS USED ONLY FOR THE "K" SERIES.

DWN BY:	EMK	DWN DATE:	11/8/16
APR BY:		DATE APR:	
APR BY:		DATE APR:	



300 South Krueger Street  
Suring, WI 54174  
diversifiedwoodcrafts.com

UNLESS OTHERWISE SPECIFIED  
DIMENSION ARE IN INCHES  
  
CABINET SQUARENESS ± .0625  
FRACTIONAL VALUES ± 1/32"  
- ALL VALUES ± OVERALL -

TITLE:  
**8' INSTRUCTOR DESK  
TOOLS AND ASSEMBLY COMPONENTS**

REV.	DESCRIPTION	DATE	NAME	ECN NO.
A	CREATED DRAWING	11/8/16	EMK	-
	REVISION LEVEL			

THIS DRAWING IS THE SOLE PROPERTY OF  
DIVERSIFIED WOOD CRAFTS. IT MAY NOT  
BE ALTERED OR CHANGED WITHOUT  
PERMISSION

DRAWING NUMBER:	SCALE:	SHEET:	REVISION:
1114K & KF, 1116K & KF	NTS	2 OF 8	REV A

ASSEMBLY COMPONENTS			
ITEMS INCLUDED	PART #	PART DESCRIPTION	QTY
**ROD SOCKET**	206505	ROD SOCKET ASSY, SOCKET, WASHER, NUT	2
**CROSSBAR**	100006	ROD, CROSSBAR 3/4 DIA. X48 L	1
**UPRIGHT**	100004	ROD, UPRIGHT 3/4 DIA. X36 L	2
**CLAMP**	100002	ROD CLAMP 3/4 X 3/4 ASSY	2

NOTE:

1. TOPS ARE EITHER PHENOLIC OR EPOXY.
2. \*\*XX\*\* INDICATES ITEMS USED ONLY FOR THE "K" SERIES.

DWN BY:	EMK	DWN DATE:	11/8/16
APR BY:		DATE APR:	
APR BY:		DATE APR:	



300 South Krueger Street  
 Suring, WI 54174  
 diversifiedwoodcrafts.com

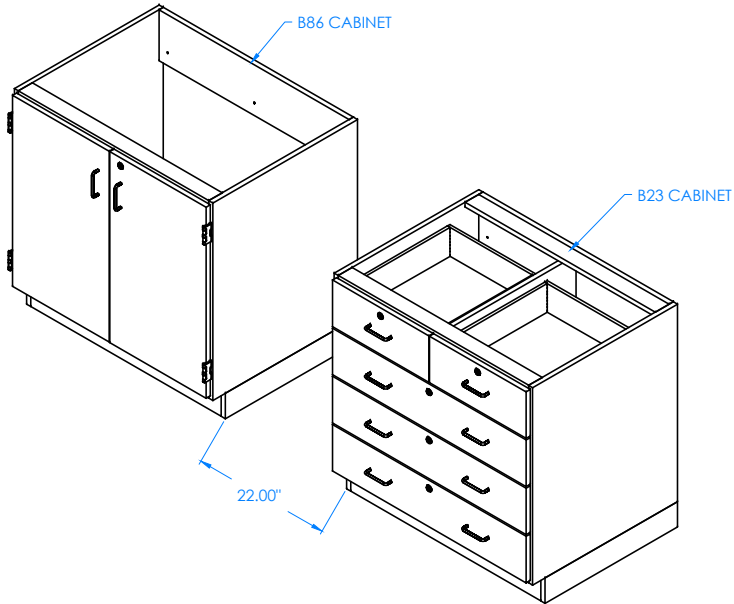
UNLESS OTHERWISE SPECIFIED  
 DIMENSION ARE IN INCHES  
 CABINET SQUARENESS ± .0625  
 FRACTIONAL VALUES ± 1/32"  
 - ALL VALUES ± OVERALL -

TITLE:  
**8' INSTRUCTOR DESK  
 TOOLS AND ASSEMBLY COMPONENTS**

A	CREATED DRAWING	11/8/16	EMK	-
REV.	DESCRIPTION	DATE	NAME	ECN NO.

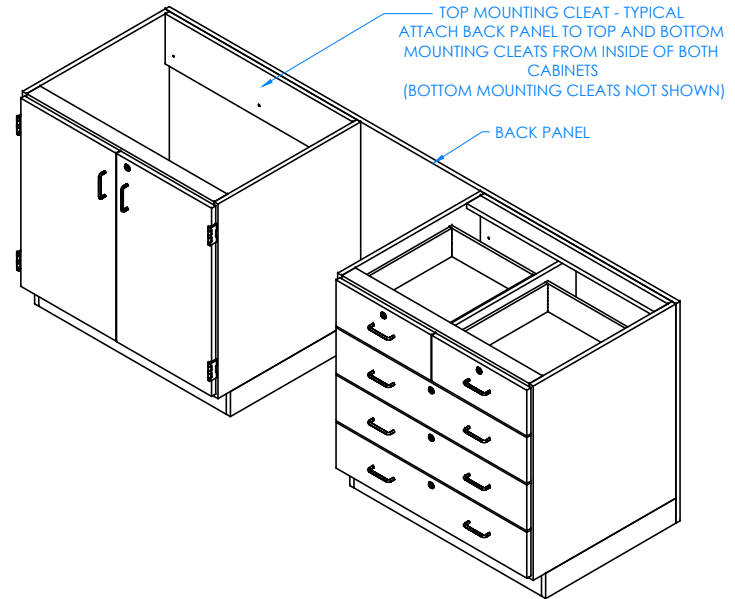
THIS DRAWING IS THE SOLE PROPERTY OF  
 DIVERSIFIED WOOD CRAFTS. IT MAY NOT  
 BE ALTERED OR CHANGED WITHOUT  
 PERMISSION

DRAWING NUMBER:	SCALE:	SHEET:	REVISION:
1114K & KF, 1116K & KF	NTS	3 OF 8	REV A



STEP 1:

POSITION THE TWO CABINETS IN DESIRED LOCATION. (IF YOU HAVE A "K" SERIES UNIT, PLACE UNIT OVER UTILITY HOOKUPS). LEAVE ENOUGH ROOM IN BETWEEN CABINETS FOR APRON. LEVEL CABINETS AND ATTACH TO FLOOR.



STEP 2:

WITH HELP FROM ANOTHER PERSON, ATTACH BACK PANEL TO BACK OF CABINETS WITH THE SCREWS PROVIDED INTO MOUNTING CLEATS LOCATED INSIDE ON TOP AND BOTTOM OF BOTH CABINETS. MAKE SURE BACK PANEL IS FLUSH WITH OUTSIDE EDGES OF CABINETS.

NOTE:

1.

DWN BY:	EMK	DWN DATE:	11/8/16
APR BY:		DATE APR:	
APR BY:		DATE APR:	



300 South Krueger Street  
Suring, WI 54174  
diversifiedwoodcrafts.com

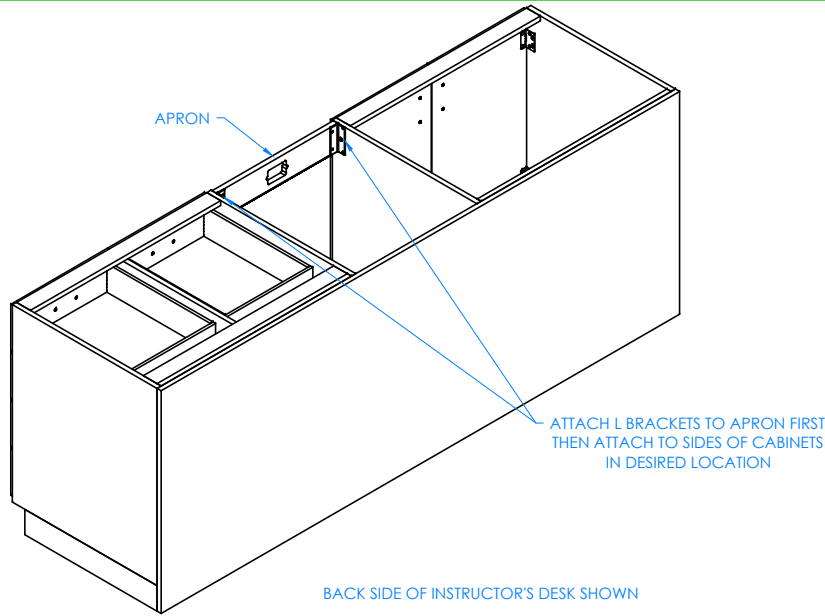
UNLESS OTHERWISE SPECIFIED  
DIMENSION ARE IN INCHES  
CABINET SQUARENESS ± .0625  
FRACTIONAL VALUES ± 1/32"  
- ALL VALUES ± OVERALL -

TITLE:  
**8' INSTRUCTOR DESK  
ASSEMBLY INSTRUCTIONS**

A	CREATED DRAWING	11/8/16	EMK	-
REV.	DESCRIPTION	DATE	NAME	ECH NO.
	REVISION LEVEL			

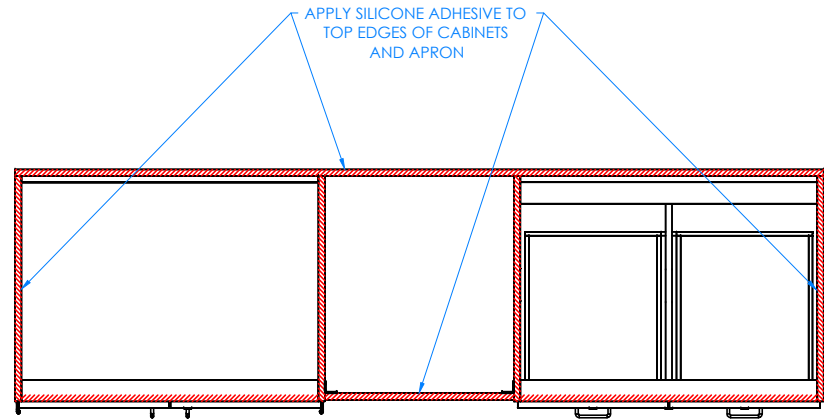
THIS DRAWING IS THE SOLE PROPERTY OF  
DIVERSIFIED WOOD CRAFTS. IT MAY NOT  
BE ALTERED OR CHANGED WITHOUT  
PERMISSION

DRAWING NUMBER:	SCALE:	SHEET:	REVISION:
1114K & KF, 1116K & KF	NTS	4 OF 8	REV A



STEP 3:

ATTACH L BRACKETS TO APRON WITH SCREWS PROVIDED. MAKE SURE BRACKETS ARE FLUSH WITH TOP EDGE OF APRON. MOUNT APRON TO SIDES OF BOTH CABINETS IN DESIRED LOCATION WITH REMAINING SCREWS.



STEP 4:

APPLY SILICONE ADHESIVE TO TOP EDGES OF CABINETS AND APRON. PLACE TOP ON UNIT WITH PROPER OVERHANG (1" OVERHANG ON SIDES AND 1.50" ON FRONT AND BACK). CLAMP ON TOP TO TOP RAILS OF CABINETS AND APRON TO REMOVE ANY WARP USING SHIMS AND C-CLAMPS, IF NEEDED, WHEN ALIGNING THE TOP (DO THIS BEFORE ADHESIVE ON EDGES SETS UP). LET CURE FOR 6-12 HOURS.

NOTE:

1.

DWN BY:	EMK	DWN DATE:	11/8/16
APR BY:		DATE APR:	
APR BY:		DATE APR:	



300 South Krueger Street  
Suring, WI 54174  
diversifiedwoodcrafts.com

UNLESS OTHERWISE SPECIFIED  
DIMENSION ARE IN INCHES

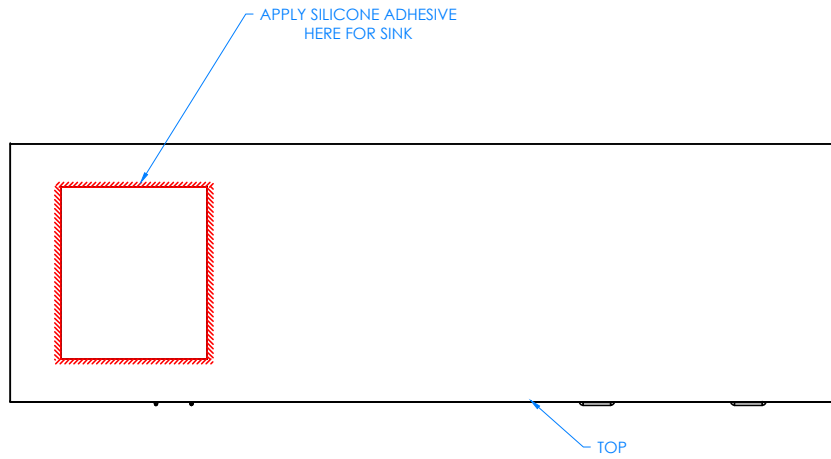
CABINET SQUARENESS ± .0625  
FRACTIONAL VALUES ± 1/32"  
- ALL VALUES ± OVERALL -

TITLE:  
8' INSTRUCTOR DESK  
ASSEMBLY INSTRUCTIONS

A	CREATED DRAWING	11/8/16	EMK	-
REV.	DESCRIPTION	DATE	NAME	ECH NO.
REVISION LEVEL				

THIS DRAWING IS THE SOLE PROPERTY OF  
DIVERSIFIED WOOD CRAFTS. IT MAY NOT  
BE ALTERED OR CHANGED WITHOUT  
PERMISSION

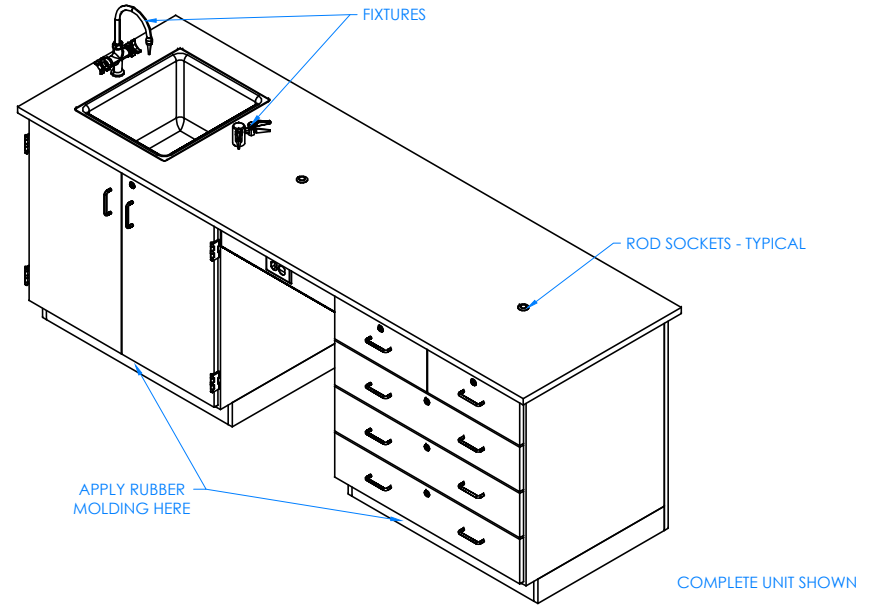
DRAWING NUMBER:	SCALE:	SHEET:	REVISION:
1114K & KF, 1116K & KF	NTS	5 OF 8	REV A



TOP VIEW OF INSTRUCTOR'S DESK SHOWN

STEP 5:

IF YOU DO NOT HAVE A "K" SERIES UNIT, SKIP TO STEP 6. APPLY SILICONE ADHESIVE TO THE SINK OPENING ON TOP. LOWER SINK INTO OPENING. WIPE OFF ANY EXCESS CAULK AND ALLOW TO SET. LET CURE FOR 6-12 HOURS.



STEP 6:

ATTACH RUBBER MOLDING TO BASE OF INSTRUCTOR'S DESK USING CONTACT CEMENT. AFTER MOLDING IS IN PLACE, SCREW STAINLESS STEEL CORNER BRACKETS ON EACH CORNER OVER BASE MOLDING WITH THE SCREWS PROVIDED. IF YOU HAVE A "K" SERIES UNIT, INSTALL FIXTURES IN THE HOLES PROVIDED ON TOP. INSERT ROD SOCKETS INTO PRE-DRILLED HOLES IN TOP. SEE NEXT SHEET ON HOW TO INSTALL UPRIGHTS AND CROSSBAR.

NOTE:

1. ALL WATER, ELECTRICAL, AND GAS CONNECTIONS SHOULD BE PERFORMED BY A TRAINED PROFESSIONAL PER LOCAL CODE.

DWN BY:	EMK	DWN DATE:	11/8/16
APR BY:		DATE APR:	
APR BY:		DATE APR:	

UNLESS OTHERWISE SPECIFIED  
DIMENSION ARE IN INCHES  
CABINET SQUARENESS ± .0625  
FRACTIONAL VALUES ± 1/32"  
- ALL VALUES ± OVERALL -



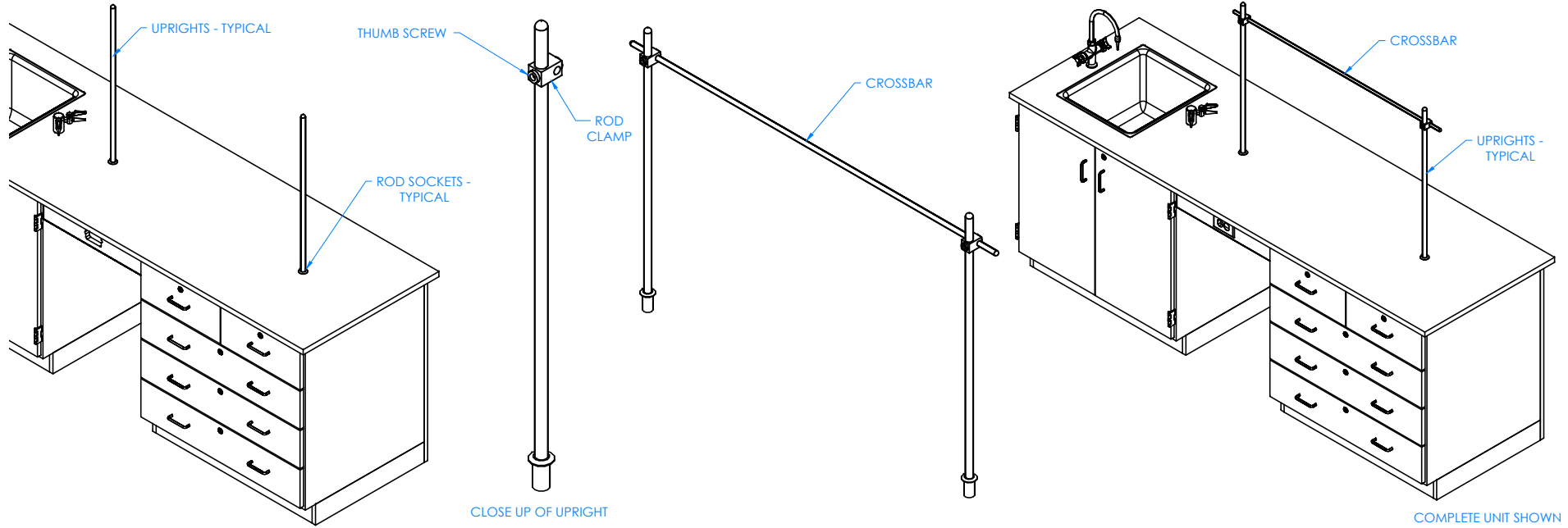
300 South Krueger Street  
Suring, WI 54174  
diversifiedwoodcrafts.com

TITLE:  
8' INSTRUCTOR DESK  
ASSEMBLY INSTRUCTIONS

A	CREATED DRAWING	11/8/16	EMK	-
REV.	DESCRIPTION	DATE	NAME	ECN NO.
REVISION LEVEL				

THIS DRAWING IS THE SOLE PROPERTY OF  
DIVERSIFIED WOOD CRAFTS. IT MAY NOT  
BE ALTERED OR CHANGED WITHOUT  
PERMISSION

DRAWING NUMBER:	SCALE:	SHEET:	REVISION:
1114K & KF, 1116K & KF	NTS	6 OF 8	REV A



STEP 1:

INSERT TAPERED END OF THE TWO UPRIGHTS INTO ROD SOCKETS ON THE TOP.

STEP 2:

SLIDE ROD CLAMPS OVER ONE OF THE UPRIGHTS AND TIGHTEN IN DESIRED LOCATION USING THUMB SCREWS PROVIDED ON CLAMPS. REPEAT ON OTHER UPRIGHT

STEP 3:

SLIDE CROSSBAR THROUGH ONE OF THE CLAMPS. POSITION OTHER SIDE THROUGH OTHER CLAMP. SOME ROD CLAMP ADJUSTMENTS MAY BE REQUIRED.

NOTE:

1.

DWN BY:	EMK	DWN DATE:	11/8/16
APR BY:		DATE APR:	
APR BY:		DATE APR:	



300 South Krueger Street  
Suring, WI 54174  
diversifiedwoodcrafts.com

UNLESS OTHERWISE SPECIFIED  
DIMENSION ARE IN INCHES  
CABINET SQUARENESS ± .0625  
FRACTIONAL VALUES ± 1/32"  
- ALL VALUES ± OVERALL -

TITLE:  
8' INSTRUCTOR DESK  
ASSEMBLY INSTRUCTIONS

REV.	DESCRIPTION	DATE	NAME	ECN NO.
A	CREATED DRAWING	11/8/16	EMK	-
REVISION LEVEL				

THIS DRAWING IS THE SOLE PROPERTY OF  
DIVERSIFIED WOOD CRAFTS. IT MAY NOT  
BE ALTERED OR CHANGED WITHOUT  
PERMISSION

DRAWING NUMBER:	SCALE:	SHEET:	REVISION:
1114K & KF, 1116K & KF	NTS	7 OF 8	REV A

## **TROUBLESHOOTING YOUR GFCI ELECTRICAL RECEPTACLE:**

**PLEASE NOTE: THROUGHOUT ANY OF THE FOLLOWING STEPS (PROCEDURES); IF YOU ARE NOT SURE YOU CAN DO THIS JOB SAFELY, AND COMPETENTLY, REFER THIS WORK TO QUALIFIED PROFESSIONAL!**

**If your unit comes equipped with a GFCI (Ground Fault Circuit Interrupter) electrical receptacle, and there is no power in the receptacle please consider/check the following:**

- The extension cord (if being used) is working properly.
- The breaker hasn't been tripped, or turned off.

This type of GFCI has two testing-related buttons on it. One button is appropriately labeled "TEST", and the other button is labeled "RESET". To test the GFCI receptacle follow these steps:

- Plug in an appliance (lamp or night light) into the outlet. The light should now be on. Then press the "TEST" button on the GFCI. The GFCI "RESET" button should pop out, and the light should go out.
- If the "RESET" button pops out, but the light doesn't go out, the GFCI has been improperly wired. In this case please contact a certified professional. There may also be a problem with other wiring in the same circuit.
- If the "RESET" button doesn't pop out, the GFCI is defective, or malfunctioned, and should be replaced.
- If the GFCI is functioning properly, and the lamp goes out, press the "RESET" button to restore power to the outlet.

Conversely, if you have a GFI that has tripped (which is common) and it will not reset, you may have a wiring short in the circuit, a defective appliance on the circuit, or the GFI itself has become defective. To test a tripping GFCI follow these steps:

- Remove every appliance connected to the GFCI's circuit and reset it. If it doesn't reset there may either be a wiring fault behind a socket outlet, or your GFCI itself has become faulty.
- Make sure whatever you are plugging into to the GFCI is dry and not damaged.
- Only plug in one item at a time. If you are plugging in a defective item it will cause the GFCI to trip, and that item therefore should be replaced.

If you are still having difficulty the easiest way to troubleshoot a GFI is to obtain a GFI tester, which is available at most hardware stores. It plugs into the GFI outlet, and will supply you with a "snapshot" of your connections, indicating wiring problems and/or the condition of the GFI. Another way to troubleshoot is to simply purchase a new GFI and install it.