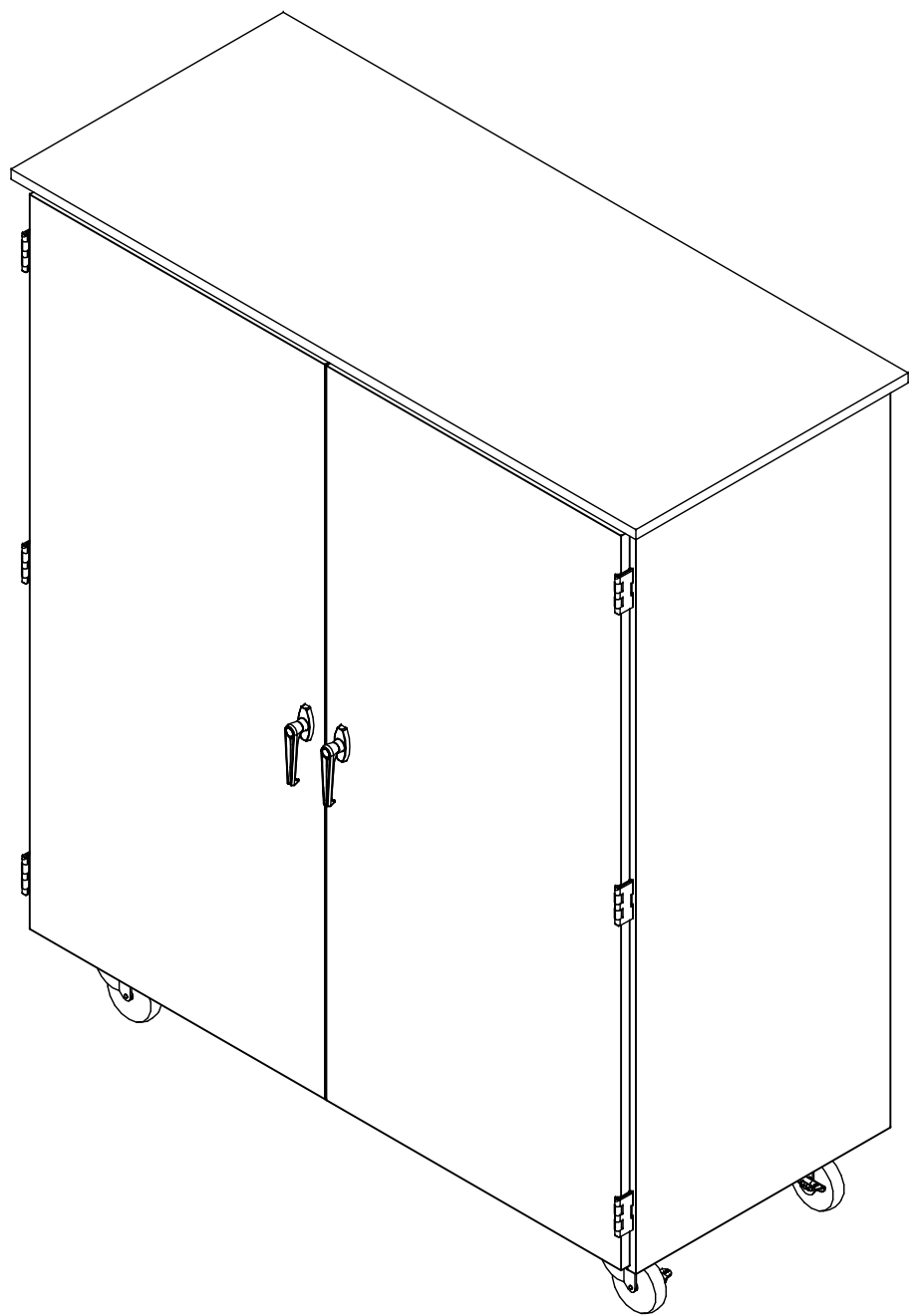


LARGE MICROSCOPE STORAGE CABINET

4711 (OAK OR MAPLE)
ASSEMBLY INSTRUCTIONS



NOTE:

1. MODEL VIEWS MAY NOT REPRESENT EXACT MODEL PURCHASED

ALL DIMENSIONS ARE IN INCHES UNLESS NOTED OTHERWISE DECIMALS: .X = ± .030 .XX = ± .020 .XXX = ± .010 ANGLES: = ± 1° CABINET SQUARENESS = ± .0625	DWN BY:	EMR	DATE DWN:	10/31/17
	APR BY:		DATE APR:	
	APR BY:		DATE APR:	
	APR BY:		DATE APR:	



300 South Krueger Street
Suring, WI 54174
diversifiedwoodcrafts.com

CONFIDENTIAL:
ALL DESIGN RIGHTS RESERVED.
THE INFORMATION, DATA, DESIGN, AND DRAWINGS EMBODIED IN THIS DOCUMENT AND ALL REPRODUCTIONS THEREOF ARE THE EXCLUSIVE PROPERTY OF DIVERSIFIED WOODCRAFTS, INC.

TITLE:
**LARGE MICROSCOPE STORAGE CABINET
ASSEMBLY INSTRUCTIONS**

THESE DOCUMENTS ARE SUPPLIED WITH THE UNDERSTANDING THAT THEY WILL NOT BE DISCLOSED TO THIRD PARTIES WITHOUT WRITTEN CONSENT OF DIVERSIFIED WOODCRAFTS, INC. ANY REPRODUCTION IN PART OR WHOLE WITHOUT WRITTEN CONSENT IS SUBJECT TO LEGAL ACTION.

DRAWING NUMBER:	SCALE:	SHEET:	REVISION:
4711	NTS	1 OF 5	REV B

REV.	DESCRIPTION	DATE	NAME	ECN No.
B	APPLIED BOTTOM REMOVED, CASTER SWITCH	4/9/2024	RJM	MULTIPLE
A	CREATED DRAWING	10/31/17	EMR	N/A
REVISION LEVEL				

TOOLS REQUIRED
SCREW DRIVER
3/8" WRENCH

ASSEMBLY COMPONENTS			
ITEMS INCLUDED	PART #	PART DESCRIPTION	QTY
CASTERS	100081	CASTER,4IN SWIVEL TOP PLATE, W/BRAKE	4
CASTER HARDWARE KIT	206509	CASTER,ASSY,HARDWARE,16-SCREWS, 16-NUTS	1
MICROSCOPE DIVIDERS	100995	MICROSCOPE DIVIDER,ZINC	12

NOTE:

1.

REV.	DESCRIPTION	DATE	NAME	ECN No.
B	APPLIED BOTTOM REMOVED, CASTER SWITCH	4/9/2024	RJM	MULTIPLE
A	CREATED DRAWING	10/31/17	EMR	N/A
REVISION LEVEL				

ALL DIMENSIONS ARE IN INCHES UNLESS NOTED OTHERWISE DECIMALS: .X = ± .030 .XX = ± .020 .XXX = ± .010 ANGLES: = ± 1° CABINET SQUARENESS = ± .0625	DWN BY:	EMR	DATE DWN:	10/31/17
	APR BY:		DATE APR:	
	APR BY:		DATE APR:	
	APR BY:		DATE APR:	

CONFIDENTIAL:
 ALL DESIGN RIGHTS RESERVED
 THE INFORMATION, DATA, DESIGN, AND DRAWINGS EMBODIED IN THIS DOCUMENT AND ALL REPRODUCTIONS THEREOF ARE THE EXCLUSIVE PROPERTY OF DIVERSIFIED WOODCRAFTS, INC.

THESE DOCUMENTS ARE SUPPLIED WITH THE UNDERSTANDING THAT THEY WILL NOT BE DISCLOSED TO THIRD PARTIES WITHOUT WRITTEN CONSENT OF DIVERSIFIED WOODCRAFTS, INC. ANY REPRODUCTION IN PART OR WHOLE WITHOUT WRITTEN CONSENT IS SUBJECT TO LEGAL ACTION.



300 South Krueger Street
 Suring, WI 54174
 diversifiedwoodcrafts.com

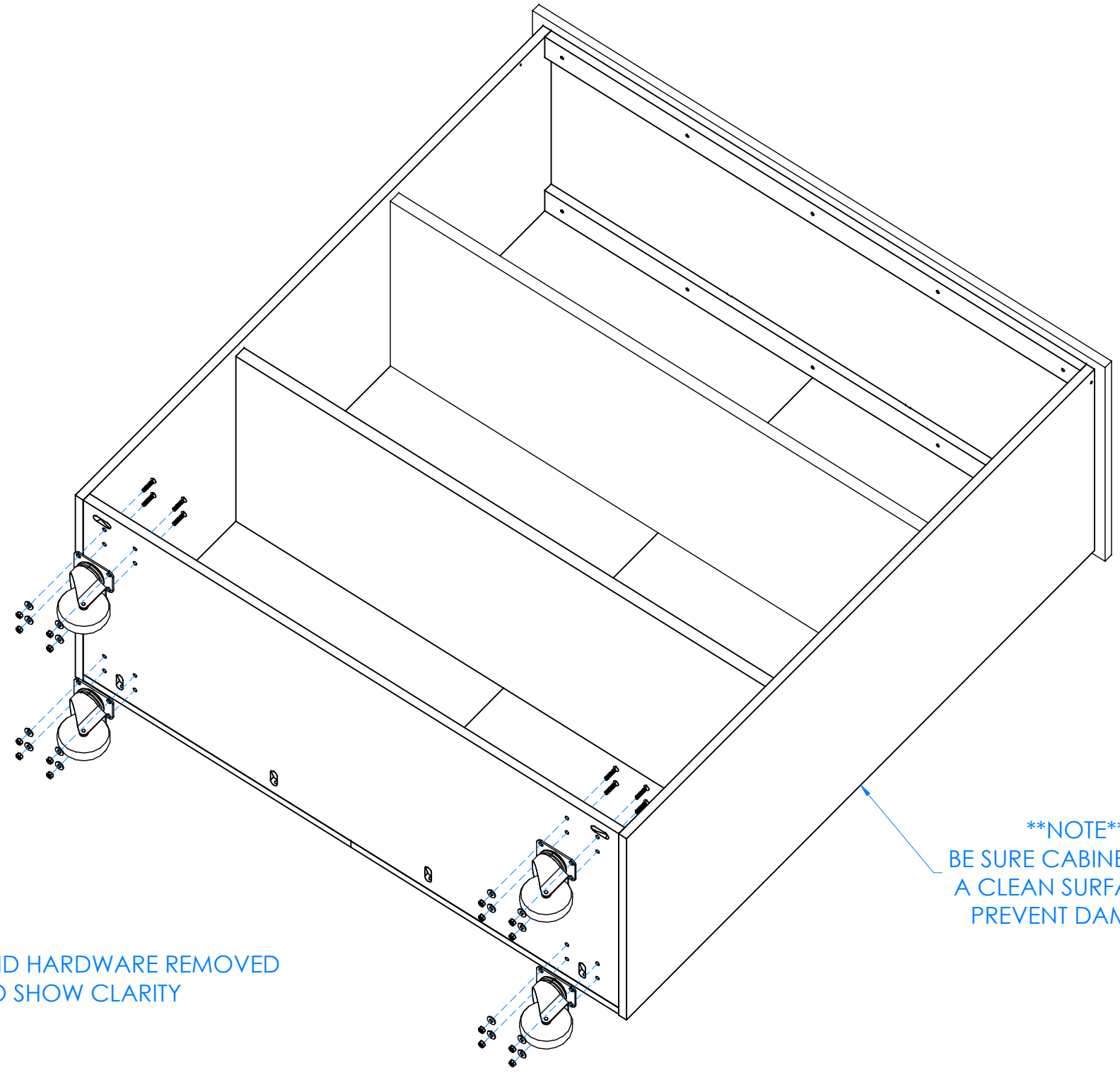
TITLE: LARGE MICROSCOPE STORAGE CABINET TOOLS AND ASSEMBLY COMPONENTS			
DRAWING NUMBER:	SCALE:	SHEET:	REVISION:
4711	NTS	2 OF 5	REV B

HARDWARE REQUIRED FOR STEP

QTY	DESCRIPTION	PART NUMBER
4	CASTERS	100081
1	CASTER HARDWARE KIT	206509

STEP 1:

- a. WITH HELP FROM ANOTHER PERSON, LAY CABINET ON ITS BACK.
- b. ATTACH CASTERS FROM INSIDE THE CABINET USING PROVIDED HARDWARE LISTED ABOVE. ****SEE NOTE****



DOORS AND HARDWARE REMOVED TO SHOW CLARITY

****NOTE****
BE SURE CABINET IS ON A CLEAN SURFACE TO PREVENT DAMAGE

NOTE:

- 1. ****ATTACH CASTERS WITH FLAT HEAD BOLT THREADS FACING OUTSIDE OF THE CABINET LIKE SHOWN ABOVE.****

ALL DIMENSIONS ARE IN INCHES UNLESS NOTED OTHERWISE DECIMALS: .X = ± .030 .XX = ± .020 .XXX = ± .010 ANGLES: = ± 1° CABINET SQUARENESS = ± .0625	DWN BY:	EMR	DATE DWN:	10/31/17
	APR BY:		DATE APR:	
	APR BY:		DATE APR:	
	APR BY:		DATE APR:	



300 South Krueger Street
Suring, WI 54174
diversifiedwoodcrafts.com

CONFIDENTIAL:
ALL DESIGN RIGHTS RESERVED.
THE INFORMATION, DATA, DESIGN, AND DRAWINGS EMBODIED IN THIS DOCUMENT AND ALL REPRODUCTIONS THEREOF ARE THE EXCLUSIVE PROPERTY OF DIVERSIFIED WOODCRAFTS, INC.

TITLE:
LARGE MICROSCOPE STORAGE CABINET ASSEMBLY INSTRUCTIONS

THESE DOCUMENTS ARE SUPPLIED WITH THE UNDERSTANDING THAT THEY WILL NOT BE DISCLOSED TO THIRD PARTIES WITHOUT WRITTEN CONSENT OF DIVERSIFIED WOODCRAFTS, INC. ANY REPRODUCTION IN PART OR WHOLE WITHOUT WRITTEN CONSENT IS SUBJECT TO LEGAL ACTION.

DRAWING NUMBER:	SCALE:	SHEET:	REVISION:
4711	NTS	3 OF 5	REV B

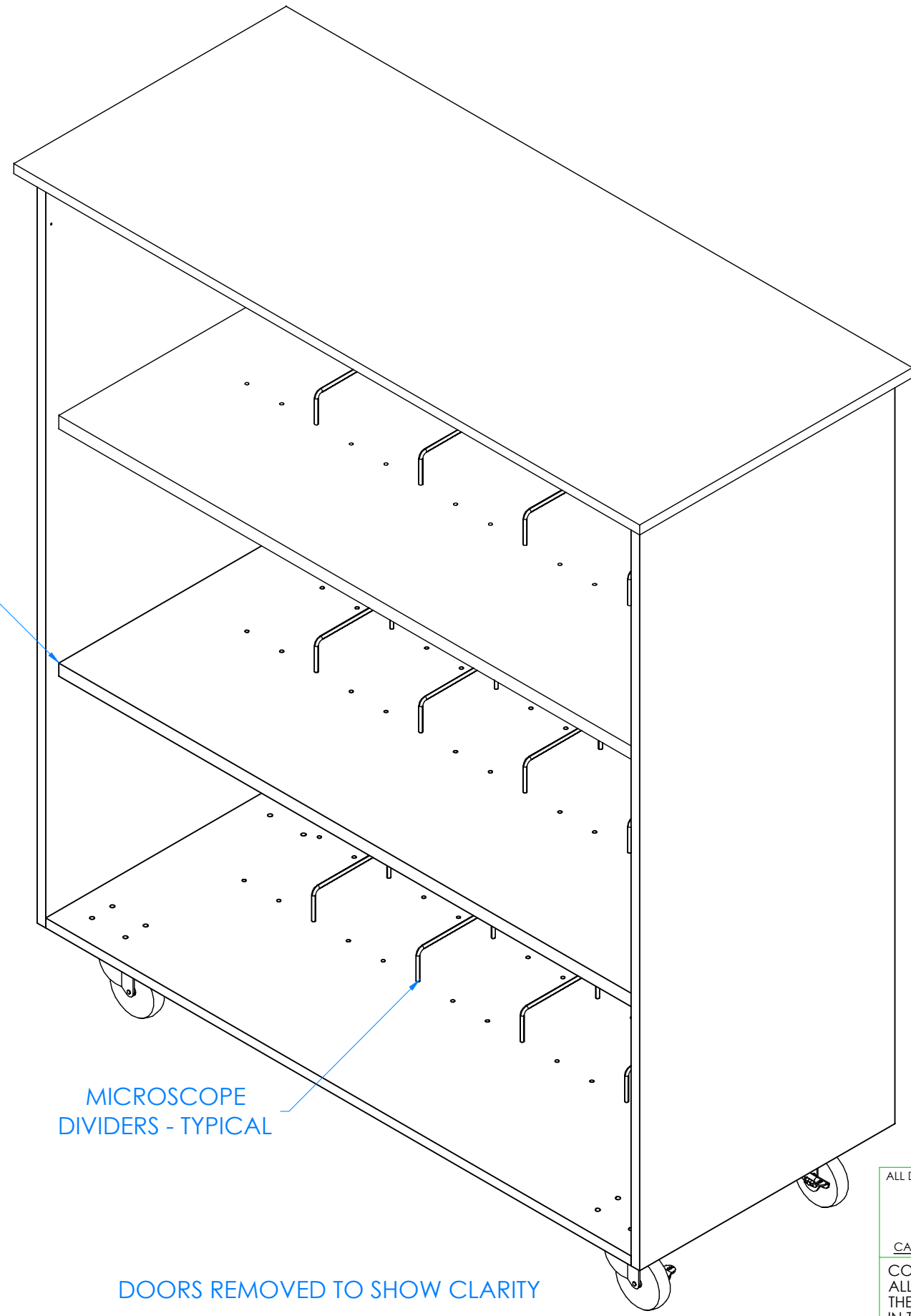
REV.	DESCRIPTION	DATE	NAME	ECN No.
B	APPLIED BOTTOM REMOVED, CASTER SWITCH	4/9/2024	RJM	MULTIPLE
A	CREATED DRAWING	10/31/17	EMR	N/A
REVISION LEVEL				

HARDWARE REQUIRED FOR STEP

QTY	DESCRIPTION	PART NUMBER
12	MICROSCOPE DIVIDER	100995

STEP 2:

- a. ATTACH MICROSCOPE DIVIDERS TO SHELVES IN DESIRED LOCATION.



FIXED SHELF - TYPICAL

MICROSCOPE DIVIDERS - TYPICAL

DOORS REMOVED TO SHOW CLARITY

NOTE:

1.

ALL DIMENSIONS ARE IN INCHES UNLESS NOTED OTHERWISE	DWN BY:	EMR	DATE DWN:	10/31/17
DECIMALS: .X = ± .030	APR BY:		DATE APR:	
.XX = ± .020	APR BY:		DATE APR:	
.XXX = ± .010	APR BY:		DATE APR:	
ANGLES: = ± 1°				
CABINET SQUARENESS = ± .0625				

CONFIDENTIAL:
ALL DESIGN RIGHTS RESERVED.
THE INFORMATION, DATA, DESIGN, AND DRAWINGS EMBODIED IN THIS DOCUMENT AND ALL REPRODUCTIONS THEREOF ARE THE EXCLUSIVE PROPERTY OF DIVERSIFIED WOODCRAFTS, INC.

THESE DOCUMENTS ARE SUPPLIED WITH THE UNDERSTANDING THAT THEY WILL NOT BE DISCLOSED TO THIRD PARTIES WITHOUT WRITTEN CONSENT OF DIVERSIFIED WOODCRAFTS, INC. ANY REPRODUCTION IN PART OR WHOLE WITHOUT WRITTEN CONSENT IS SUBJECT TO LEGAL ACTION.

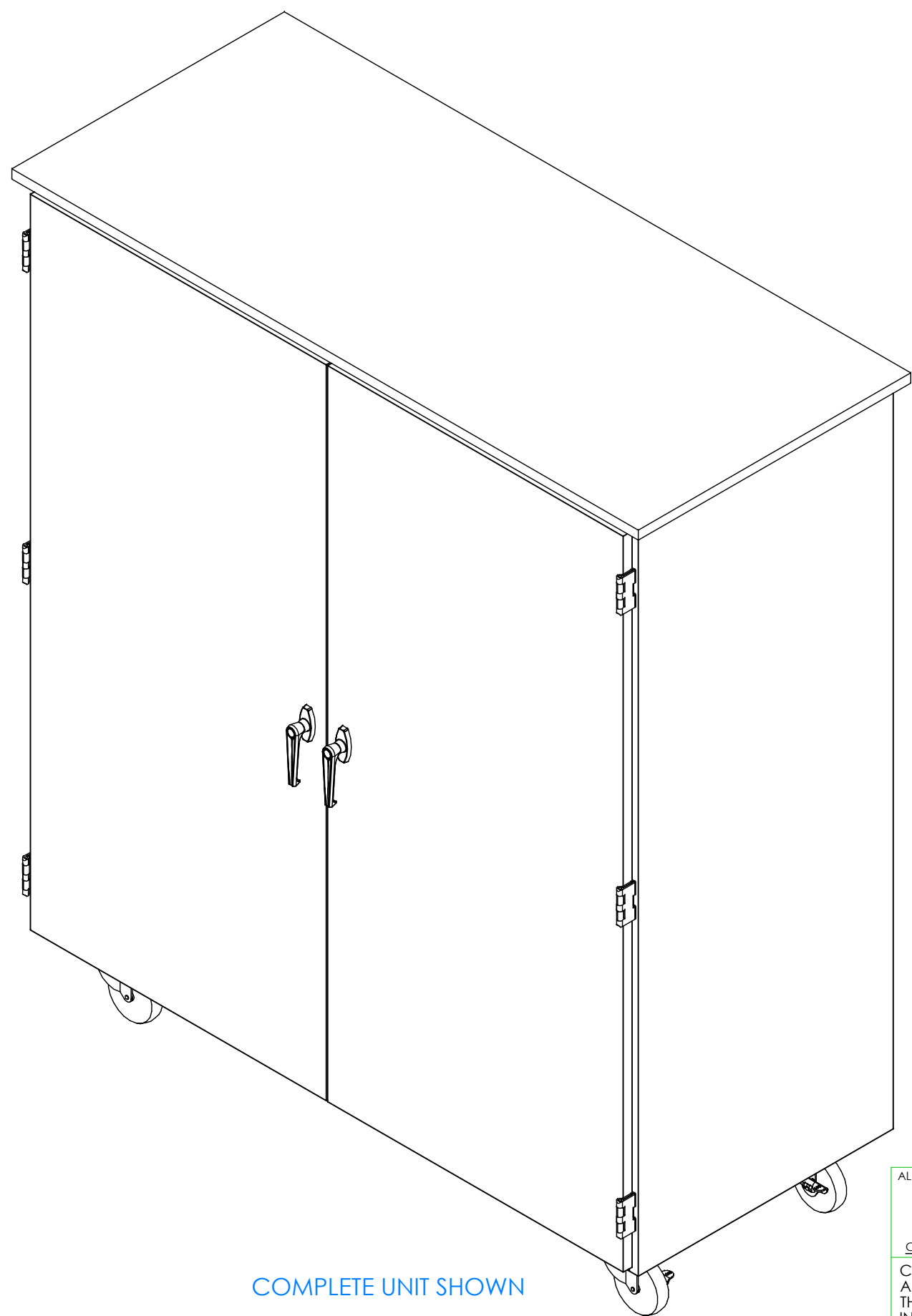


300 South Krueger Street
Suring, WI 54174
diversifiedwoodcrafts.com

TITLE:
LARGE MICROSCOPE STORAGE CABINET
ASSEMBLY INSTRUCTIONS

REV.	DESCRIPTION	DATE	NAME	ECN No.
B	APPLIED BOTTOM REMOVED, CASTER SWITCH	4/9/2024	RJM	MULTIPLE
A	CREATED DRAWING	10/31/17	EMR	N/A
REVISION LEVEL				

DRAWING NUMBER:	SCALE:	SHEET:	REVISION:
4711	NTS	4 OF 5	REV B



COMPLETE UNIT SHOWN

NOTE:

- 1.

STEP 3:

- a. SET CABINET INTO DESIRED LOCATION.
- b. PLACE MICROSCOPES INTO CABINET (NOT SHOWN).

REV.	DESCRIPTION	DATE	NAME	ECN No.
B	APPLIED BOTTOM REMOVED, CASTER SWITCH	4/9/2024	RJM	MULTIPLE
A	CREATED DRAWING	10/31/17	EMR	N/A
REVISION LEVEL				

ALL DIMENSIONS ARE IN INCHES UNLESS NOTED OTHERWISE DECIMALS: .X = ± .030 .XX = ± .020 .XXX = ± .010 ANGLES: = ± 1° CABINET SQUARENESS = ± .0625	DWN BY: EMR APR BY: APR BY:	DATE DWN: 10/31/17 DATE APR: DATE APR:
---	-----------------------------------	--

CONFIDENTIAL:
ALL DESIGN RIGHTS RESERVED.
THE INFORMATION, DATA, DESIGN, AND DRAWINGS EMBODIED IN THIS DOCUMENT AND ALL REPRODUCTIONS THEREOF ARE THE EXCLUSIVE PROPERTY OF DIVERSIFIED WOODCRAFTS, INC.

THESE DOCUMENTS ARE SUPPLIED WITH THE UNDERSTANDING THAT THEY WILL NOT BE DISCLOSED TO THIRD PARTIES WITHOUT WRITTEN CONSENT OF DIVERSIFIED WOODCRAFTS, INC. ANY REPRODUCTION IN PART OR WHOLE WITHOUT WRITTEN CONSENT IS SUBJECT TO LEGAL ACTION.

300 South Krueger Street
Suring, WI 54174
diversifiedwoodcrafts.com

TITLE: LARGE MICROSCOPE STORAGE CABINET ASSEMBLY INSTRUCTIONS		
DRAWING NUMBER: 4711	SCALE: NTS	SHEET: 5 OF 5
		REVISION: REV B