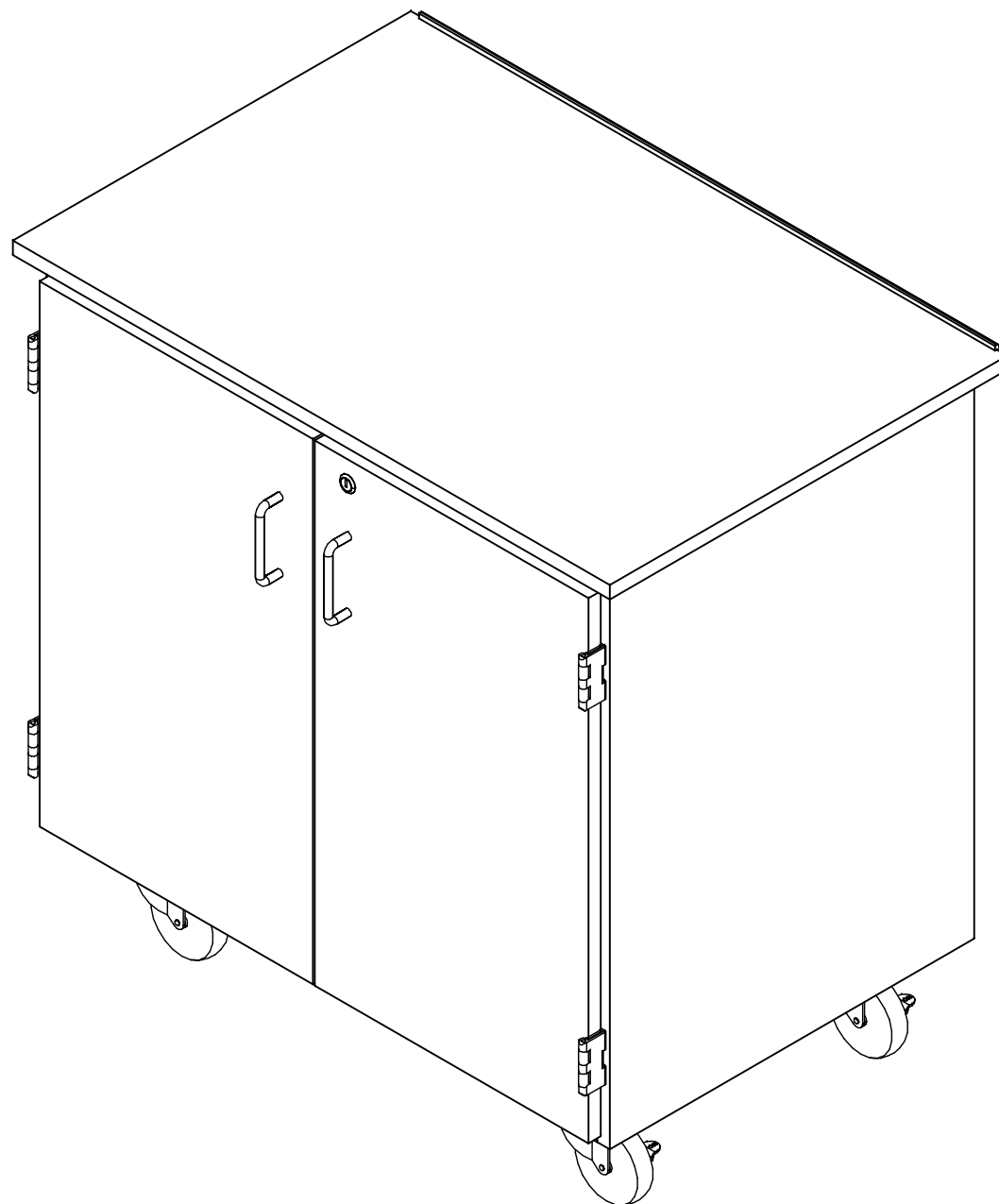


MOBILE TOTE TRAY CABINET

4821 (OAK OR MAPLE)
ASSEMBLY INSTRUCTIONS



NOTE:

1. MODEL VIEWS MAY NOT REPRESENT EXACT MODEL PURCHASED

ALL DIMENSIONS ARE IN INCHES UNLESS NOTED OTHERWISE	DWN BY:	EMR	DATE DWN:	9/16/20
DECIMALS: .X = ± .030	APR BY:		DATE APR:	
.XX = ± .020	APR BY:		DATE APR:	
.XXX = ± .010	APR BY:		DATE APR:	
ANGLES: = ± 1°				
CABINET SQUARENESS = ± .0625				



300 South Krueger Street
Suring, WI 54174
diversifiedwoodcrafts.com

CONFIDENTIAL:
ALL DESIGN RIGHTS RESERVED.
THE INFORMATION, DATA, DESIGN, AND DRAWINGS EMBODIED IN THIS DOCUMENT AND ALL REPRODUCTIONS THEREOF ARE THE EXCLUSIVE PROPERTY OF DIVERSIFIED WOODCRAFTS, INC.

TITLE:
MOBILE TOTE TRAY CABINET
ASSEMBLY INSTRUCTIONS

THESE DOCUMENTS ARE SUPPLIED WITH THE UNDERSTANDING THAT THEY WILL NOT BE DISCLOSED TO THIRD PARTIES WITHOUT WRITTEN CONSENT OF DIVERSIFIED WOODCRAFTS, INC. ANY REPRODUCTION IN PART OR WHOLE WITHOUT WRITTEN CONSENT IS SUBJECT TO LEGAL ACTION.

REV.	DESCRIPTION	DATE	NAME	ECN No.
B	UPDATED CASTER STEP	3/6/2024	RJM	1447
A	CREATED DRAWING	9/16/20	EMR	N/A
REVISION LEVEL				

DRAWING NUMBER:	SCALE:	SHEET:	REVISION:
4821	NTS	1 OF 5	REV B

TOOLS REQUIRED
3/8" WRENCH
ADJUSTABLE PLIERS

ASSEMBLY COMPONENTS			
ITEMS INCLUDED	PART #	PART DESCRIPTION	QTY
CASTERS	100081	CASTER,4IN SWIVEL TOP PLATE, W/BRAK	4
CASTER HARDWARE KIT	206509	CASTER,ASSY,HDWRE,16-SCREWS, 16 NUTS	1
TOTE TRAY - SINGLE	254150-XX	SLIM LINE SINGLE DEPTH TRAY (COLOR VARIES)	6

NOTE:

- 1. COLOR OF TOTE TRAYS VARY WITH MODEL PURCHASED.
 - 1.1. TOTE TRAY COLORS:
 - 1.1.1. CLEAR, ROYAL, CARROT, OR LIME

REV.	DESCRIPTION	DATE	NAME	ECN No.
B	UPDATED CASTER STEP	3/6/2024	RJM	1447
A	CREATED DRAWING	9/16/20	EMR	N/A
REVISION LEVEL				

ALL DIMENSIONS ARE IN INCHES UNLESS NOTED OTHERWISE DECIMALS: .X = ± .030 .XX = ± .020 .XXX = ± .010 ANGLES: = ± 1° CABINET SQUARENESS = ± .0625	DWN BY:	EMR	DATE DWN:	9/16/20
	APR BY:		DATE APR:	
	APR BY:		DATE APR:	
	APR BY:		DATE APR:	

CONFIDENTIAL:
 ALL DESIGN RIGHTS RESERVED.
 THE INFORMATION, DATA, DESIGN, AND DRAWINGS EMBODIED IN THIS DOCUMENT AND ALL REPRODUCTIONS THEREOF ARE THE EXCLUSIVE PROPERTY OF DIVERSIFIED WOODCRAFTS, INC.

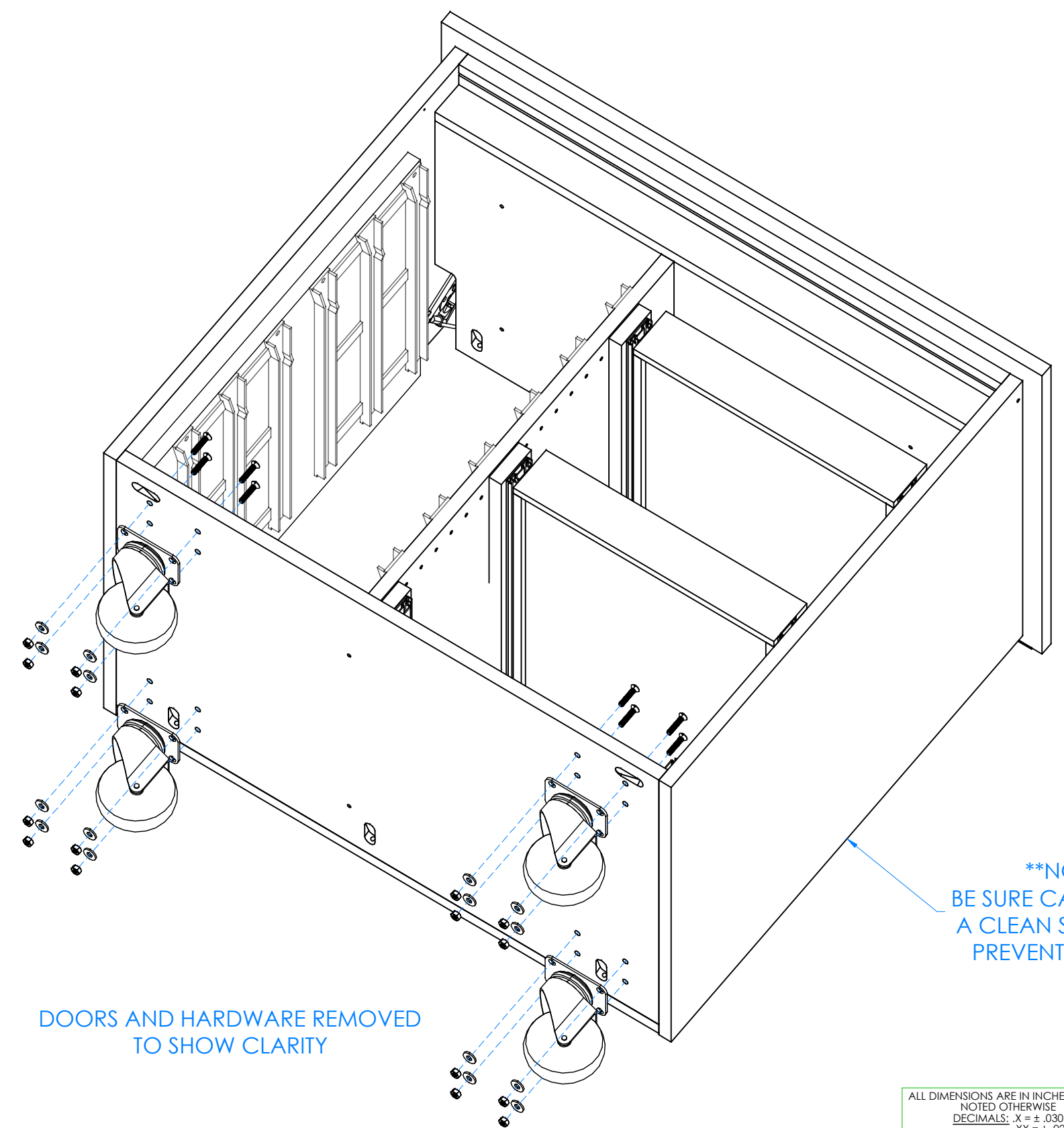
THESE DOCUMENTS ARE SUPPLIED WITH THE UNDERSTANDING THAT THEY WILL NOT BE DISCLOSED TO THIRD PARTIES WITHOUT WRITTEN CONSENT OF DIVERSIFIED WOODCRAFTS, INC. ANY REPRODUCTION IN PART OR WHOLE WITHOUT WRITTEN CONSENT IS SUBJECT TO LEGAL ACTION.



300 South Krueger Street
 Suring, WI 54174
 diversifiedwoodcrafts.com

TITLE:
**MOBILE TOTE TRAY CABINET
 TOOLS AND ASSEMBLY COMPONENTS**

DRAWING NUMBER:	SCALE:	SHEET:	REVISION:
4821	NTS	2 OF 5	REV B



DOORS AND HARDWARE REMOVED TO SHOW CLARITY

****NOTE****
BE SURE CABINET IS ON A CLEAN SURFACE TO PREVENT DAMAGE

HARDWARE REQUIRED FOR STEP

QTY	DESCRIPTION	PART NUMBER
4	CASTERS	100081
1	CASTER HARDWARE KIT	206509

STEP 1:

- a. WITH HELP FROM ANOTHER PERSON, LAY CABINET ONTO ITS BACK.
- b. OPEN DOORS.
- c. ATTACH CASTERS FROM INSIDE THE CABINET USING PROVIDED HARDWARE LISTED ABOVE. ****SEE NOTE****

NOTE:

- 1. ****ATTACH CASTERS WITH FLAT HEAD BOLT THREADS FACING OUTSIDE OF THE CABINET LIKE SHOWN ABOVE.****

REV.	DESCRIPTION	DATE	NAME	ECN No.
B	UPDATED CASTER STEP	3/6/2024	RJM	1447
A	CREATED DRAWING	9/16/20	EMR	N/A
REVISION LEVEL				

ALL DIMENSIONS ARE IN INCHES UNLESS NOTED OTHERWISE DECIMALS: .X = ± .030 .XX = ± .020 .XXX = ± .010 ANGLES: = ± 1° CABINET SQUARENESS = ± .0625	DWN BY: EMR APR BY: APR BY:	DATE DWN: 9/16/20 DATE APR: DATE APR:
---	-----------------------------------	---

CONFIDENTIAL:
ALL DESIGN RIGHTS RESERVED
THE INFORMATION, DATA, DESIGN, AND DRAWINGS EMBODIED IN THIS DOCUMENT AND ALL REPRODUCTIONS THEREOF ARE THE EXCLUSIVE PROPERTY OF DIVERSIFIED WOODCRAFTS, INC.

THESE DOCUMENTS ARE SUPPLIED WITH THE UNDERSTANDING THAT THEY WILL NOT BE DISCLOSED TO THIRD PARTIES WITHOUT WRITTEN CONSENT OF DIVERSIFIED WOODCRAFTS, INC. ANY REPRODUCTION IN PART OR WHOLE WITHOUT WRITTEN CONSENT IS SUBJECT TO LEGAL ACTION.



300 South Krueger Street
Suring, WI 54174
diversifiedwoodcrafts.com

TITLE:
**MOBILE TOTE TRAY CABINET
ASSEMBLY INSTRUCTIONS**

DRAWING NUMBER: 4821	SCALE: NTS	SHEET: 3 OF 5	REVISION: REV B
--------------------------------	---------------	------------------	--------------------

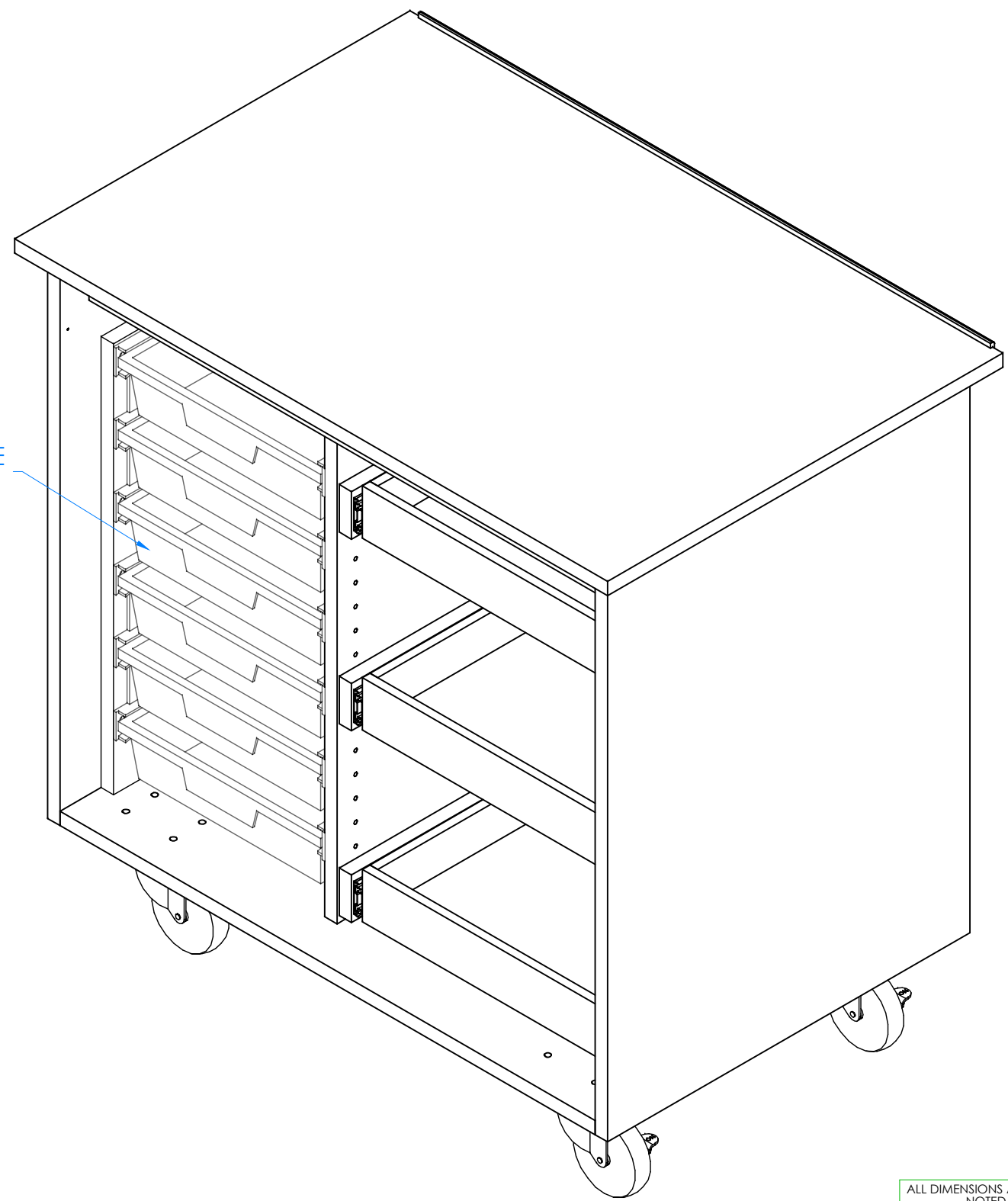
HARDWARE REQUIRED FOR STEP

QTY	DESCRIPTION	PART NUMBER
6	TOTE TRAY - SINGLE	254150-XX

STEP 2:

- a. TIP CABINET UP.
- b. PLACE TOTE TRAYS ONTO TOTE TRAY INSERTS.

SINGLE DEPTH TOTE TRAY - TYPICAL



NOTE:

1.

DOORS AND HARDWARE REMOVED TO SHOW CLARITY

REV.	DESCRIPTION	DATE	NAME	ECN No.
B	UPDATED CASTER STEP	3/6/2024	RJM	1447
A	CREATED DRAWING	9/16/20	EMR	N/A
REVISION LEVEL				

ALL DIMENSIONS ARE IN INCHES UNLESS NOTED OTHERWISE DECIMALS: .X = ± .030 .XX = ± .020 .XXX = ± .010 ANGLES: = ± 1° CABINET SQUARENESS = ± .0625	DWN BY: EMR APR BY: APR BY:	DATE DWN: 9/16/20 DATE APR: DATE APR:
---	-----------------------------------	---

CONFIDENTIAL:
ALL DESIGN RIGHTS RESERVED.
THE INFORMATION, DATA, DESIGN, AND DRAWINGS EMBODIED IN THIS DOCUMENT AND ALL REPRODUCTIONS THEREOF ARE THE EXCLUSIVE PROPERTY OF DIVERSIFIED WOODCRAFTS, INC.

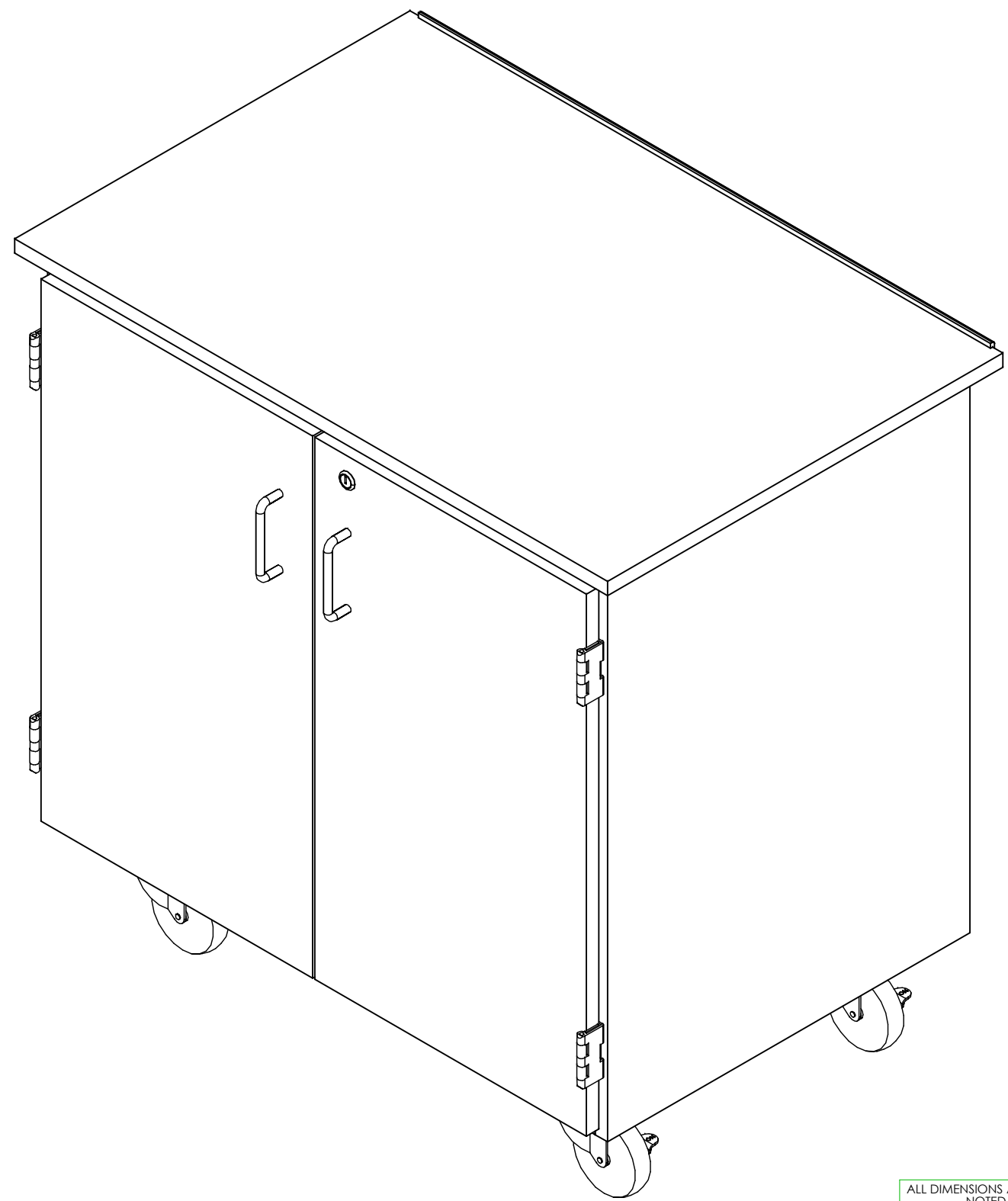
THESE DOCUMENTS ARE SUPPLIED WITH THE UNDERSTANDING THAT THEY WILL NOT BE DISCLOSED TO THIRD PARTIES WITHOUT WRITTEN CONSENT OF DIVERSIFIED WOODCRAFTS, INC. ANY REPRODUCTION IN PART OR WHOLE WITHOUT WRITTEN CONSENT IS SUBJECT TO LEGAL ACTION.



300 South Krueger Street
Suring, WI 54174
diversifiedwoodcrafts.com

TITLE:
MOBILE TOTE TRAY CABINET
ASSEMBLY INSTRUCTIONS

DRAWING NUMBER:	SCALE:	SHEET:	REVISION:
4821	NTS	4 OF 5	REV B



STEP 3:

- a. SET CABINET IN DESIRED LOCATION.

NOTE:

1.

COMPLETE UNIT SHOWN

REV.	DESCRIPTION	DATE	NAME	ECN No.
B	UPDATED CASTER STEP	3/6/2024	RJM	1447
A	CREATED DRAWING	9/16/20	EMR	N/A
REVISION LEVEL				

ALL DIMENSIONS ARE IN INCHES UNLESS NOTED OTHERWISE DECIMALS: .X = ± .030 .XX = ± .020 .XXX = ± .010 ANGLES: = ± 1° CABINET SQUARENESS = ± .0625	DWN BY: EMR APR BY: APR BY:	DATE DWN: 9/16/20 DATE APR: DATE APR:
---	-----------------------------------	---

CONFIDENTIAL:
ALL DESIGN RIGHTS RESERVED
THE INFORMATION, DATA, DESIGN, AND DRAWINGS EMBODIED IN THIS DOCUMENT AND ALL REPRODUCTIONS THEREOF ARE THE EXCLUSIVE PROPERTY OF DIVERSIFIED WOODCRAFTS, INC.

THESE DOCUMENTS ARE SUPPLIED WITH THE UNDERSTANDING THAT THEY WILL NOT BE DISCLOSED TO THIRD PARTIES WITHOUT WRITTEN CONSENT OF DIVERSIFIED WOODCRAFTS, INC. ANY REPRODUCTION IN PART OR WHOLE WITHOUT WRITTEN CONSENT IS SUBJECT TO LEGAL ACTION.

300 South Krueger Street
Suring, WI 54174
diversifiedwoodcrafts.com

TITLE: MOBILE TOTE TRAY CABINET ASSEMBLY INSTRUCTIONS

DRAWING NUMBER:	SCALE:	SHEET:	REVISION:
4821	NTS	5 OF 5	REV B