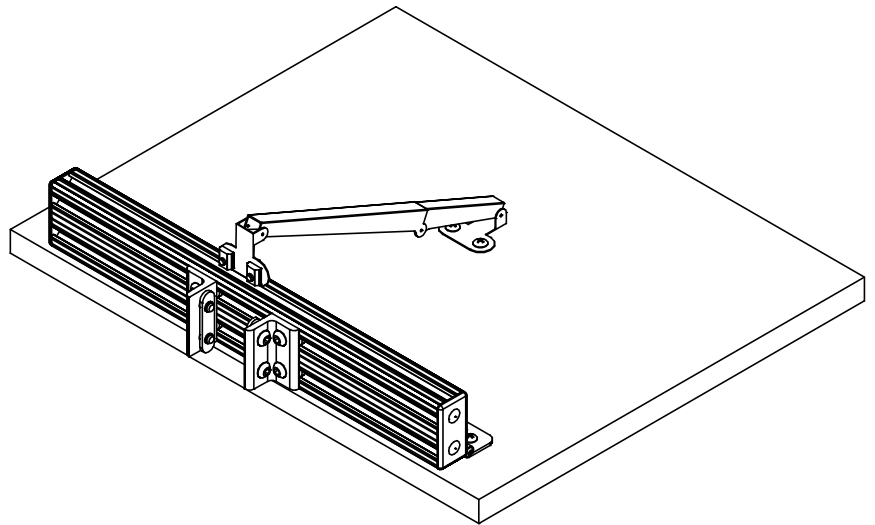
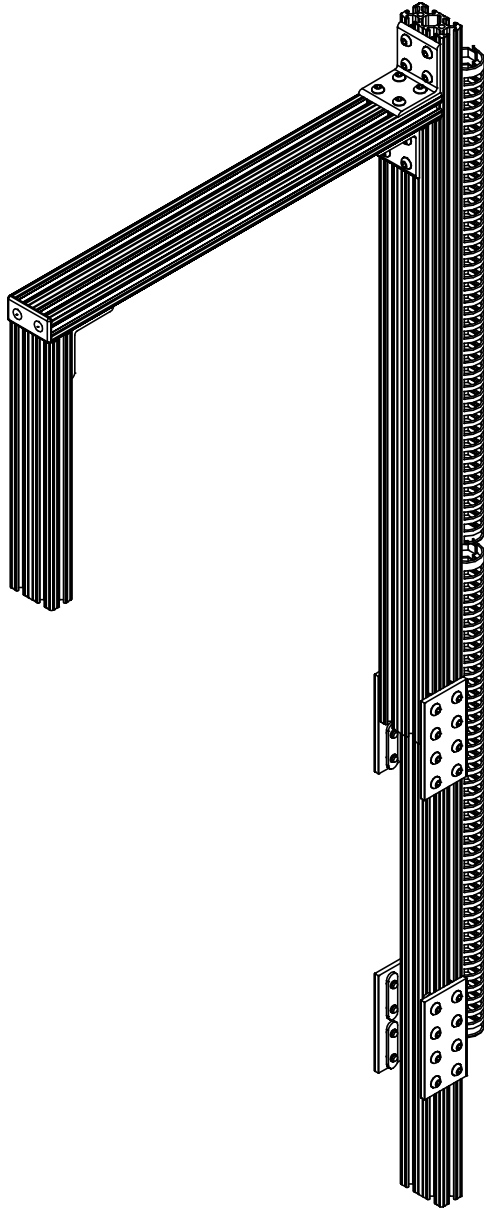


# AUGMENTED REALITY SANDBOX

## UPPER ALUMINUM & LAPTOP SHELF ASSEMBLY INSTRUCTIONS



**NOTE:**

- MODEL VIEWS MAY NOT REPRESENT EXACT MODEL PURCHASED

ALL DIMENSIONS ARE IN INCHES UNLESS NOTED OTHERWISE	DWN BY:	RTT	DATE DWN:	3/23/17
DECIMALS: X = ± .030	APR BY:		DATE APR:	
XX = ± .020	APR BY:		DATE APR:	
XXX = ± .010	APR BY:		DATE APR:	
ANGLES: ± 1°	APR BY:		DATE APR:	
CABINET SQUARENESS: ± .0625	APR BY:		DATE APR:	

CONFIDENTIAL:  
ALL DESIGN RIGHTS RESERVED  
THE INFORMATION, DATA, DESIGN, AND DRAWINGS EMBODIED IN THIS DOCUMENT AND ALL REPRODUCTIONS THEREOF ARE THE EXCLUSIVE PROPERTY OF DIVERSIFIED WOODCRAFTS, INC.

THESE DOCUMENTS ARE SUPPLIED WITH THE UNDERSTANDING THAT THEY WILL NOT BE DISCLOSED TO THIRD PARTIES WITHOUT WRITTEN CONSENT OF DIVERSIFIED WOODCRAFTS, INC. ANY REPRODUCTION IN PART OR WHOLE WITHOUT WRITTEN CONSENT IS SUBJECT TO LEGAL ACTION.



300 South Krueger Street  
Suring, WI 54174  
diversifiedwoodcrafts.com

TITLE:  
AUGMENTED REALITY SANDBOX  
UPPER ALUMINUM AND LAPTOP SHELF ASSEMBLY  
INSTRUCTIONS

DRAWING NUMBER:	SCALE:	SHEET:	REVISION:
ARS-4030	NTS	1 OF 18	REV A

## PARTS NEEDED FOR THIS ASSEMBLY

ITEMS INCLUDED	PART #	PART DESCRIPTION	QTY
ALUMINUM EXTRUSION KIT - SEE NEXT PAGE FOR PART BREAKDOWN.	257933	ARS-4030 HARDWARE KIT, PRICE ENGINEERING	1
LAPTOP SHELF	N/A	LAPTOP SHELF - 0.75"THK x 14.00"W x 17.00"L	1
SCREWS - FOR HINGES & DROP LEAF	100111	SCREW,5/8 TRUSS HEAD	6

### TOOLS REQUIRED

5/32" ALLEN WRENCH (FOR 1/4"-20x1/2" SCREWS)

1/8" ALLEN WRENCH (FOR #10-32x3/8" SCREWS)

PHILLIPS SCREWDRIVER

**NOTE:**

1.

ALL DIMENSIONS ARE IN INCHES UNLESS NOTED OTHERWISE DECIMALS: X = ± .030 XX = ± .020 XXX = ± .010 ANGLES: ± 1° CABINET SQUARENESS: ± .0625	DWN BY: RTT APR BY:     DATE DWN: 3/23/17 APR BY:     DATE APR: APR BY:     DATE APR:
---	--



300 South Krueger Street  
Suring, WI 54174  
diversifiedwoodcrafts.com

CONFIDENTIAL:  
ALL DESIGN RIGHTS RESERVED  
THE INFORMATION, DATA, DESIGN, AND DRAWINGS EMBODIED IN THIS DOCUMENT AND ALL REPRODUCTIONS THEREOF ARE THE EXCLUSIVE PROPERTY OF DIVERSIFIED WOODCRAFTS, INC.

TITLE:  
AUGMENTED REALITY SANDBOX  
ALUMINUM HARDWARE KIT PACKING LIST & TOOLS  
REQUIRED.

DRAWING NUMBER: <b>ARS-4030</b>	SCALE: NTS	SHEET: 2 OF 18	REVISION: REV A
------------------------------------	---------------	-------------------	--------------------

REV.	DESCRIPTION	DATE	NAME	ECN NO.
A	CREATED DRAWING	3/23/17	RTT	-
REVISION LEVEL				

THESE DOCUMENTS ARE SUPPLIED WITH THE UNDERSTANDING THAT THEY WILL NOT BE DISCLOSED TO THIRD PARTIES WITHOUT WRITTEN CONSENT OF DIVERSIFIED WOODCRAFTS, INC. ANY REPRODUCTION IN PART OR WHOLE WITHOUT WRITTEN CONSENT IS SUBJECT TO LEGAL ACTION.

## ALUMINUM HARDWARE KIT - DWI # 257933

ITEMS INCLUDED	PART #	PART DESCRIPTION	QTY
L BRACKET - 8 HOLE	252561 (4114)	10 SERIES 8 HOLE - INSIDE CORNER BRACKET	7
L- BRACKET - 4 HOLE	252562 (4113)	10 SERIES 4 HOLE - WIDE INSIDE CORNER BRACKET	2
FLAT PLATE - 8 HOLE	252563 (4165)	10 SERIES 8 HOLE - RECTANGULAR FLAT PLATE	4
SCREWS - FOR T-NUTS & L-BRACKETS	252566 (3061)	1/4-20 X .500" BUTTON HEAD SOCKET CAP SCREW (BHSCS)	80
SCREWS - FOR T-NUTS AND HINGES	252567 (3059)	1/4-20 X .375" BUTTON HEAD SOCKET CAP SCREW (BHSCS)	4
T-NUTS FOR HINGES	252568 (3382)	1/4-20 SLIDE-IN ECONOMY T-NUT - CENTERED THREAD	4
T-NUTS FOR L-BRACKETS	252569 (3280)	1/4-20 DOUBLE SLIDE-IN ECONOMY T-NUT	40
HINGES	252570 (2086)	10 SERIES 4 HOLE - ALUMINUM HINGE	2
WIRING DUCT	252571 (2899)	10 & 15 SERIES WIRING DUCT	2
BOLT ASSY - FOR WIRING DUCT & KINECT CAMERA MOUNT *SEE NOTE 1*	252572 (3426)	BOLT ASSEMBLY: 10-32 X .375" BLACK BHSCS AND STANDARD SLIDE-IN T-NUT - BLACK ZINC	12
END CAPS	252573 (2025-Plain)	10 SERIES END CAP WITH PUSH-IN FASTENER	3
ALUMINUM EXTRUSION - 11" LONG	252574 (1020)	1.00" X 2.00" T-SLOTTED PROFILE - SIX OPEN T-SLOTS	1
ALUMINUM EXTRUSION - 14" LONG	252574 (1020)	1.00" X 2.00" T-SLOTTED PROFILE - SIX OPEN T-SLOTS	1
ALUMINUM EXTRUSION - 18.5" LONG	252574 (1020)	1.00" X 2.00" T-SLOTTED PROFILE - SIX OPEN T-SLOTS	1
ALUMINUM EXTRUSION - 25.25" LONG	252574 (1020)	1.00" X 2.00" T-SLOTTED PROFILE - SIX OPEN T-SLOTS	1
ALUMINUM EXTRUSION - 48" LONG	252574 (1020)	1.00" X 2.00" T-SLOTTED PROFILE - SIX OPEN T-SLOTS	1
ALUMINUM EXTRUSION - 48" LONG *SEE NOTE 2*	252575 (2040)	2.00" X 4.00" T-SLOTTED PROFILE - TWELVE OPEN T-SLOTS	1

**NOTE:**

1. KINECT MOUNT ASSEMBLED IN NEXT SET OF INSTRUCTIONS, SET EXTRA SCREWS/T-NUTS ASIDE FOR NOW.
2. 2" X 4" X 48" EXTRUSION ASSEMBLED TO TABLE IN NEXT SET OF INSTRUCTIONS. SET ASIDE FOR NOW.

ALL DIMENSIONS ARE IN INCHES UNLESS NOTED OTHERWISE  
 DECIMALS: X = ± .030  
               XX = ± .020  
               XXX = ± .010  
 ANGLES: ± 1°  
 CABINET SQUARENESS: ± .0625

OWN BY: RTT DATE DWN: 3/23/17  
 APR BY: DATE APR:  
 APR BY: DATE APR:

CONFIDENTIAL:  
 ALL DESIGN RIGHTS RESERVED  
 THE INFORMATION, DATA, DESIGN, AND DRAWINGS EMBODIED IN THIS DOCUMENT AND ALL REPRODUCTIONS THEREOF ARE THE EXCLUSIVE PROPERTY OF DIVERSIFIED WOODCRAFTS, INC.

THESE DOCUMENTS ARE SUPPLIED WITH THE UNDERSTANDING THAT THEY WILL NOT BE DISCLOSED TO THIRD PARTIES WITHOUT WRITTEN CONSENT OF DIVERSIFIED WOODCRAFTS, INC. ANY REPRODUCTION IN PART OR WHOLE WITHOUT WRITTEN CONSENT IS SUBJECT TO LEGAL ACTION.



300 South Krueger Street  
 Suring, WI 54174  
 diversifiedwoodcrafts.com

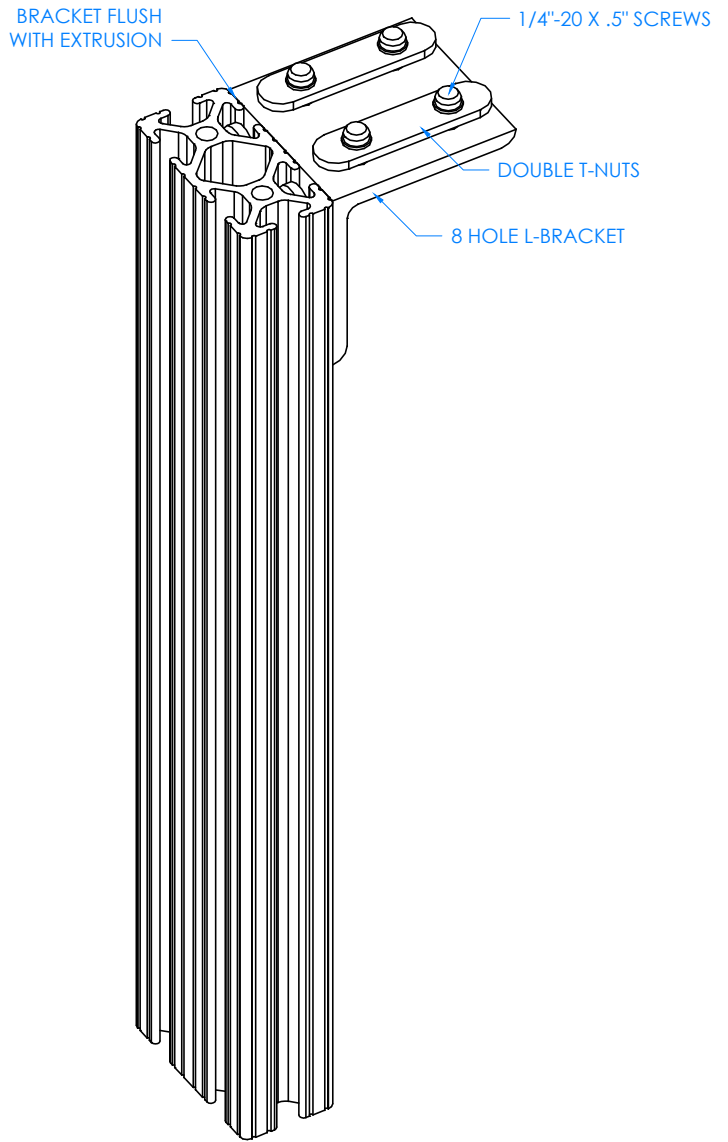
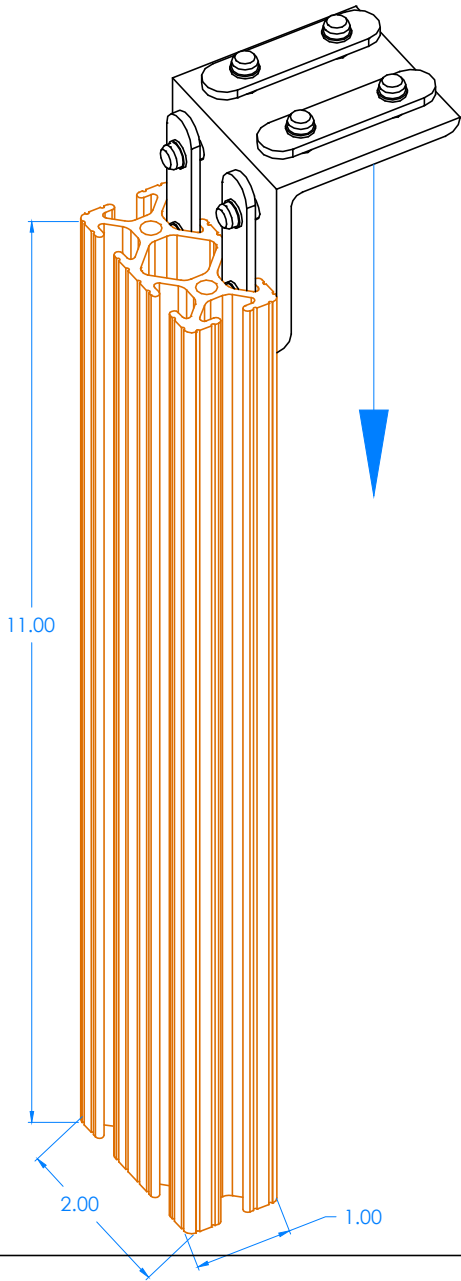
TITLE: AUGMENTED REALITY SANDBOX ALUMINUM HARDWARE KIT PACKING LIST & TOOLS REQUIRED.

DRAWING NUMBER: ARS-4030 SCALE: NTS SHEET: 3 OF 18 REVISION: REV A

REV.	DESCRIPTION	DATE	NAME	ECN NO.
A	CREATED DRAWING	3/23/17	RTT	-
REVISION LEVEL				

STEP 1:

ASSEMBLE (1) 8-HOLE L-BRACKET (PN 4114), (4) DOUBLE T-NUTS (PN 3280) AND (8) 1/4"-20 X .5" SCREWS (PN 3061). SLIDE L-BRACKET DOWN ONE END OF THE 1"x2"x11" EXTRUSION (PN 1020). KEEP THE L-BRACKET FLUSH AND STRAIGHT WITH THE END, TIGHTEN SCREWS.



NOTE:

- ASSEMBLE ALL COMPONENTS ON A FLAT SURFACE TO ENSURE ALL JOINTS ARE SQUARE AND NOT TWISTED. IF JOINTS BECOME TWISTED WHEN TIGHTENING SCREWS, IT WILL THROW OFF THE CALIBRATION IN LATER STEPS.

ALL DIMENSIONS ARE IN INCHES UNLESS NOTED OTHERWISE		DWN BY:	RTT	DATE DWN:	3/23/17
DECIMALS: .X = ± .030	.XX = ± .020	APR BY:		DATE APR:	
.XXX = ± .010		APR BY:		DATE APR:	
ANGLES: ± 1°					
CABINET SQUARENESS: ± .0625					

CONFIDENTIAL:  
ALL DESIGN RIGHTS RESERVED  
THE INFORMATION, DATA, DESIGN, AND DRAWINGS EMBODIED IN THIS DOCUMENT AND ALL REPRODUCTIONS THEREOF ARE THE EXCLUSIVE PROPERTY OF DIVERSIFIED WOODCRAFTS, INC.

THESE DOCUMENTS ARE SUPPLIED WITH THE UNDERSTANDING THAT THEY WILL NOT BE DISCLOSED TO THIRD PARTIES WITHOUT WRITTEN CONSENT OF DIVERSIFIED WOODCRAFTS, INC. ANY REPRODUCTION IN PART OR WHOLE WITHOUT WRITTEN CONSENT IS SUBJECT TO LEGAL ACTION.



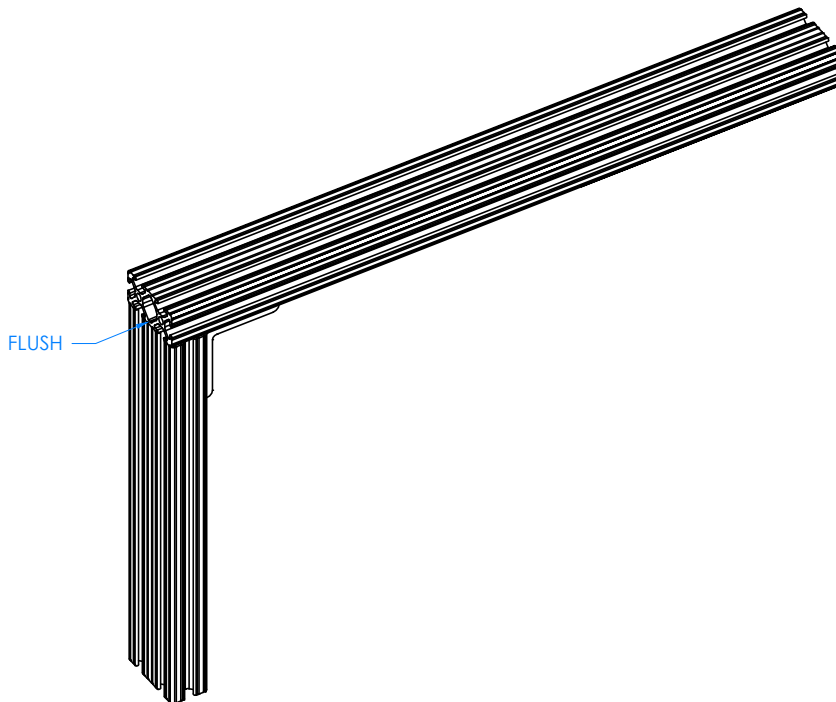
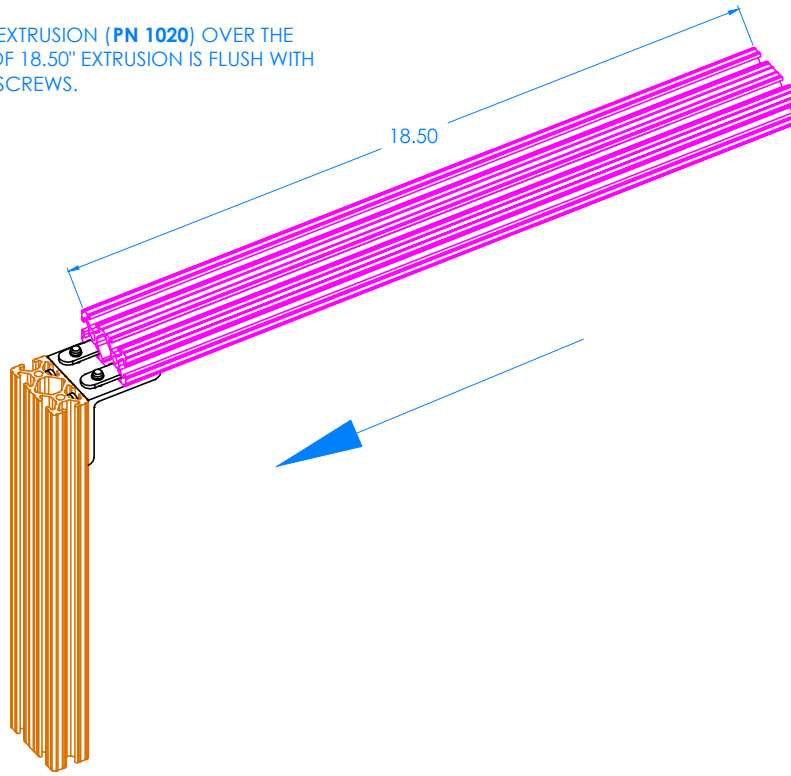
300 South Krueger Street  
Suring, WI 54174  
diversifiedwoodcrafts.com

TITLE:  
AUGMENTED REALITY SANDBOX  
UPPER ALUMINUM ASSEMBLY INSTRUCTIONS

DRAWING NUMBER:	SCALE:	SHEET:	REVISION:
ARS-4030	NTS	4 OF 18	REV A

STEP 2:

SLIDE THE 1"x2"x18.50" ALUMINUM EXTRUSION (PN 1020) OVER THE DOUBLE T-NUTS. MAKE SURE END OF 18.50" EXTRUSION IS FLUSH WITH FACE OF 11" EXTRUSION. TIGHTEN SCREWS.



NOTE:

1. ASSEMBLE ALL COMPONENTS ON A FLAT SURFACE TO ENSURE ALL JOINTS ARE SQUARE AND NOT TWISTED. IF JOINTS BECOME TWISTED WHEN TIGHTENING SCREWS, IT WILL THROW OFF THE CALIBRATION IN LATER STEPS.

ALL DIMENSIONS ARE IN INCHES UNLESS NOTED OTHERWISE		DWN BY:	RTT	DATE DWN:	3/23/17
DECIMALS: X = ± .030		APR BY:		DATE APR:	
XX = ± .020		APR BY:		DATE APR:	
XXX = ± .010		APR BY:		DATE APR:	
ANGLES: ± 1°		APR BY:		DATE APR:	
CABINET SQUARENESS: ± .0625		APR BY:		DATE APR:	

CONFIDENTIAL:  
ALL DESIGN RIGHTS RESERVED  
THE INFORMATION, DATA, DESIGN, AND DRAWINGS EMBODIED IN THIS DOCUMENT AND ALL REPRODUCTIONS THEREOF ARE THE EXCLUSIVE PROPERTY OF DIVERSIFIED WOODCRAFTS, INC.

THESE DOCUMENTS ARE SUPPLIED WITH THE UNDERSTANDING THAT THEY WILL NOT BE DISCLOSED TO THIRD PARTIES WITHOUT WRITTEN CONSENT OF DIVERSIFIED WOODCRAFTS, INC. ANY REPRODUCTION IN PART OR WHOLE WITHOUT WRITTEN CONSENT IS SUBJECT TO LEGAL ACTION.



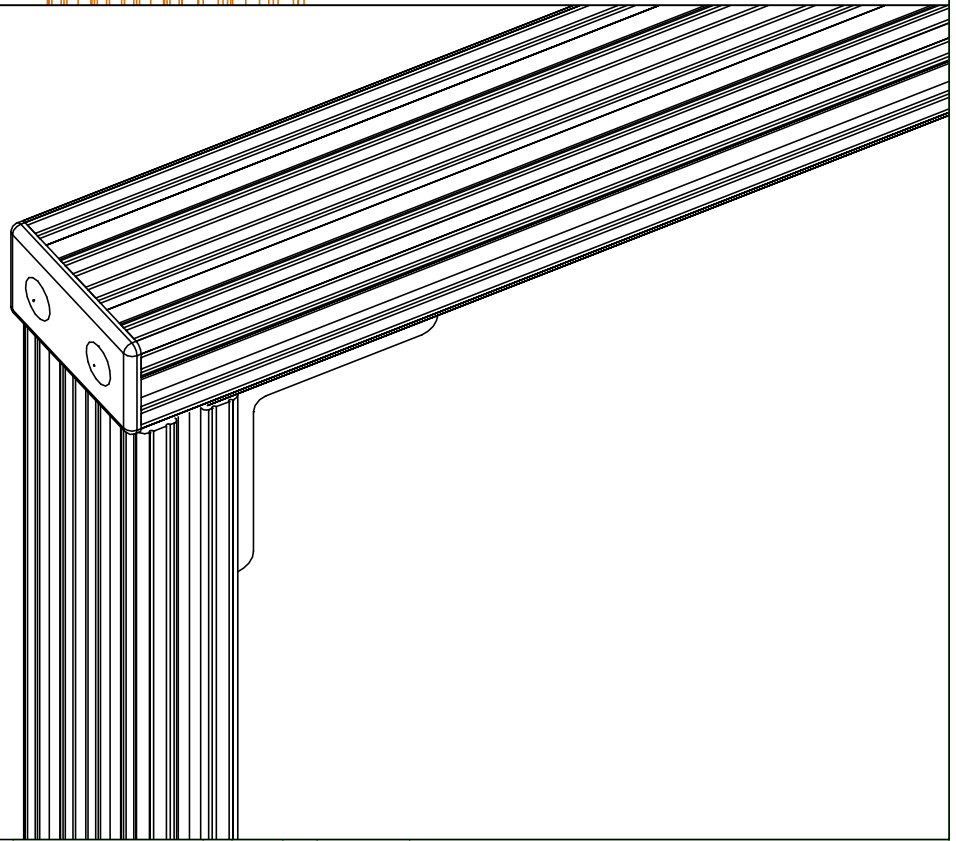
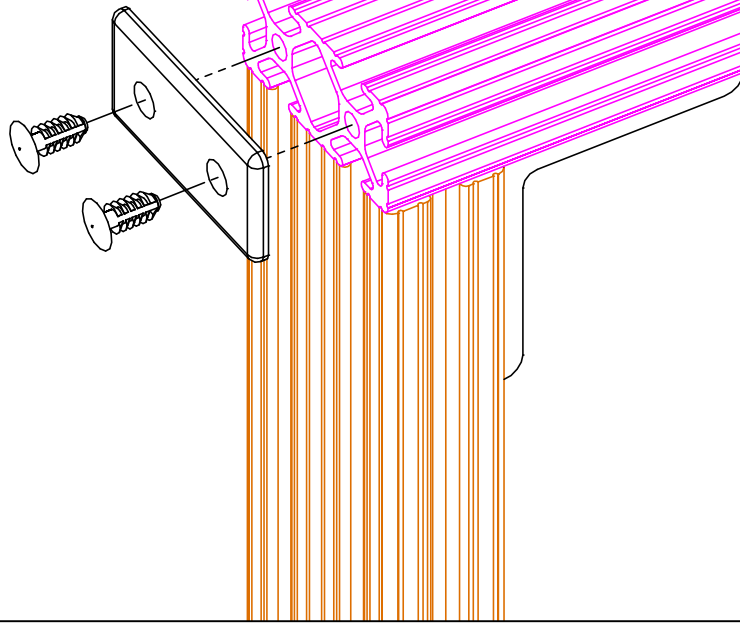
300 South Krueger Street  
Suring, WI 54174  
diversifiedwoodcrafts.com

TITLE:  
AUGMENTED REALITY SANDBOX  
UPPER ALUMINUM ASSEMBLY INSTRUCTIONS

DRAWING NUMBER:	ARS-4030	SCALE:	NTS	SHEET:	5 OF 18	REVISION:	REV A
-----------------	----------	--------	-----	--------	---------	-----------	-------

STEP 3:

USING A RUBBER Mallet, INSTALL PLASTIC END CAP (PN 2025-PLAIN) ONTO THE END OF THE 18.50" EXTRUSION.



NOTE:

- ASSEMBLE ALL COMPONENTS ON A FLAT SURFACE TO ENSURE ALL JOINTS ARE SQUARE AND NOT TWISTED. IF JOINTS BECOME TWISTED WHEN TIGHTENING SCREWS, IT WILL THROW OFF THE CALIBRATION IN LATER STEPS.

ALL DIMENSIONS ARE IN INCHES UNLESS NOTED OTHERWISE  
 DECIMALS: X = ± .030  
 XX = ± .020  
 XXX = ± .010  
 ANGLES: ± 1°  
 CABINET SQUARENESS: ± .0625

DWN BY:	RTT	DATE DWN:	3/23/17
APR BY:		DATE APR:	
APR BY:		DATE APR:	



300 South Krueger Street  
 Suring, WI 54174  
 diversifiedwoodcrafts.com

CONFIDENTIAL:  
 ALL DESIGN RIGHTS RESERVED  
 THE INFORMATION, DATA, DESIGN, AND DRAWINGS EMBODIED IN THIS DOCUMENT AND ALL REPRODUCTIONS THEREOF ARE THE EXCLUSIVE PROPERTY OF DIVERSIFIED WOODCRAFTS, INC.

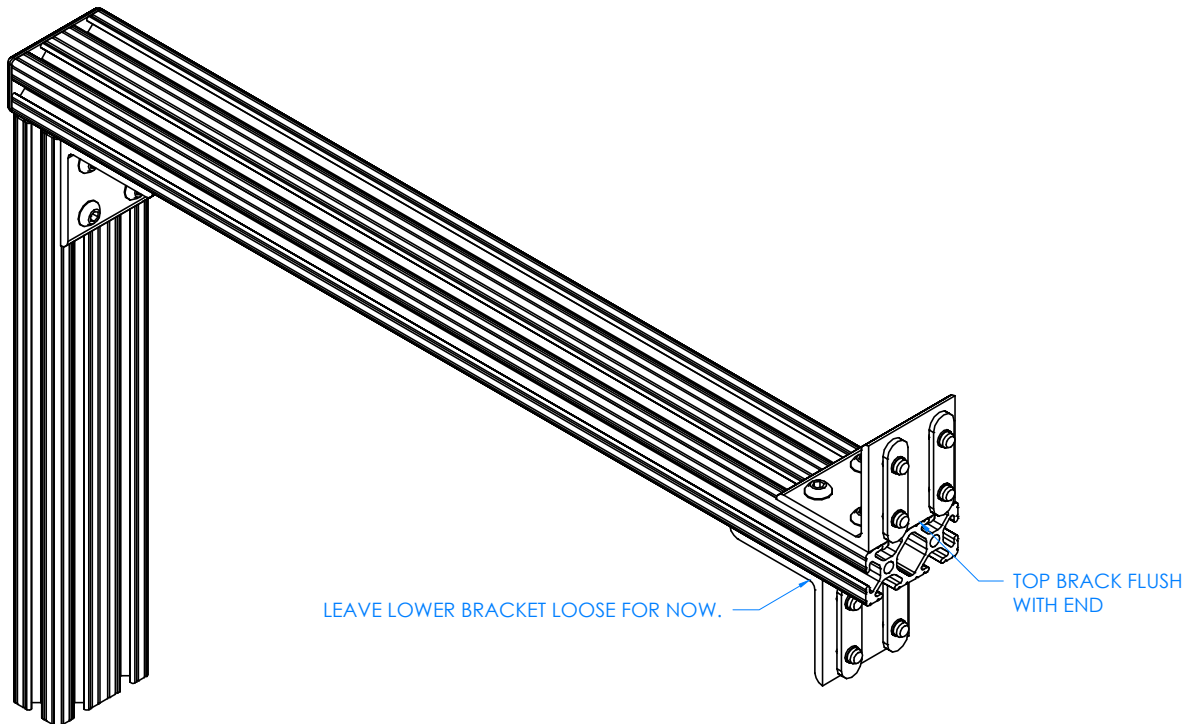
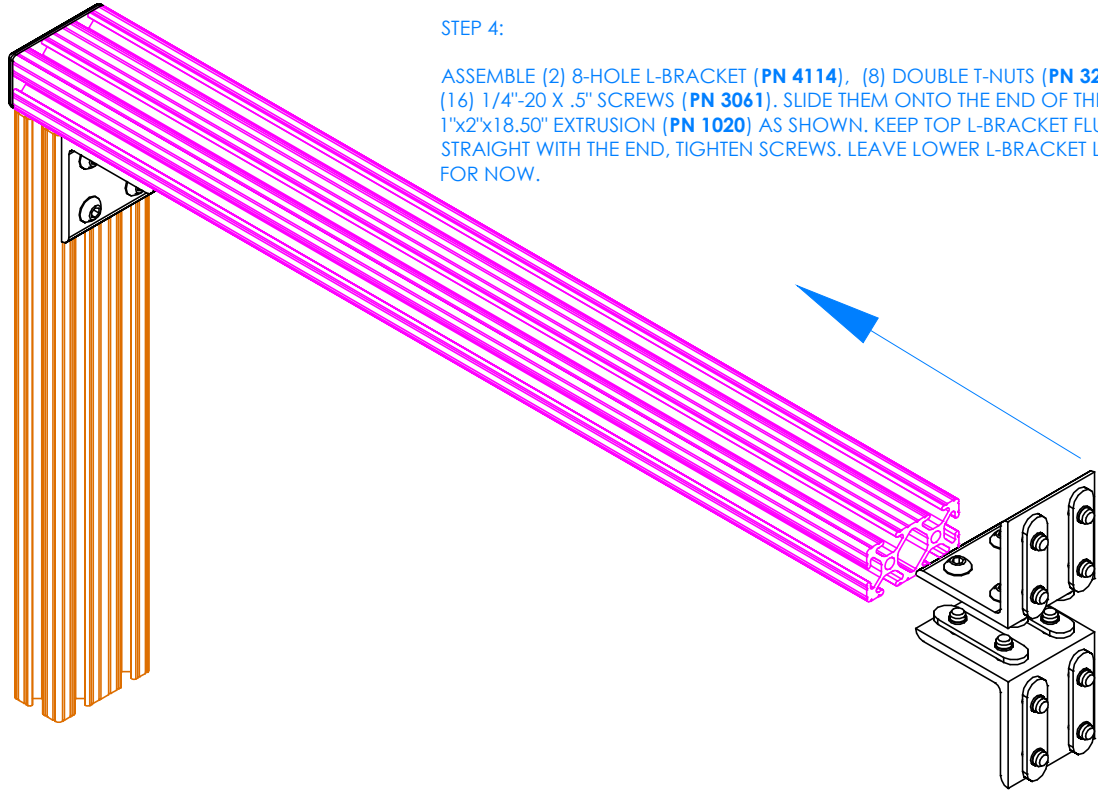
TITLE:  
 AUGMENTED REALITY SANDBOX  
 UPPER ALUMINUM ASSEMBLY INSTRUCTIONS

THESE DOCUMENTS ARE SUPPLIED WITH THE UNDERSTANDING THAT THEY WILL NOT BE DISCLOSED TO THIRD PARTIES WITHOUT WRITTEN CONSENT OF DIVERSIFIED WOODCRAFTS, INC. ANY REPRODUCTION IN PART OR WHOLE WITHOUT WRITTEN CONSENT IS SUBJECT TO LEGAL ACTION.

DRAWING NUMBER:	SCALE:	SHEET:	REVISION:
ARS-4030	NTS	6 OF 18	REV A

STEP 4:

ASSEMBLE (2) 8-HOLE L-BRACKET (PN 4114), (8) DOUBLE T-NUTS (PN 3280) AND (16) 1/4"-20 X .5" SCREWS (PN 3061). SLIDE THEM ONTO THE END OF THE 1"x2"x18.50" EXTRUSION (PN 1020) AS SHOWN. KEEP TOP L-BRACKET FLUSH AND STRAIGHT WITH THE END, TIGHTEN SCREWS. LEAVE LOWER L-BRACKET LOOSE FOR NOW.



NOTE:

1. ASSEMBLE ALL COMPONENTS ON A FLAT SURFACE TO ENSURE ALL JOINTS ARE SQUARE AND NOT TWISTED. IF JOINTS BECOME TWISTED WHEN TIGHTENING SCREWS, IT WILL THROW OFF THE CALIBRATION IN LATER STEPS.

ALL DIMENSIONS ARE IN INCHES UNLESS NOTED OTHERWISE		DWN BY:	RTT	DATE DWN:	3/23/17
DECIMALS: X = ± .030		APR BY:		DATE APR:	
XX = ± .020		APR BY:		DATE APR:	
XXX = ± .010		APR BY:		DATE APR:	
ANGLES: ± 1°		APR BY:		DATE APR:	
CABINET SQUARENESS: ± .0625		APR BY:		DATE APR:	

CONFIDENTIAL:  
ALL DESIGN RIGHTS RESERVED  
THE INFORMATION, DATA, DESIGN, AND DRAWINGS EMBODIED IN THIS DOCUMENT AND ALL REPRODUCTIONS THEREOF ARE THE EXCLUSIVE PROPERTY OF DIVERSIFIED WOODCRAFTS, INC.

THESE DOCUMENTS ARE SUPPLIED WITH THE UNDERSTANDING THAT THEY WILL NOT BE DISCLOSED TO THIRD PARTIES WITHOUT WRITTEN CONSENT OF DIVERSIFIED WOODCRAFTS, INC. ANY REPRODUCTION IN PART OR WHOLE WITHOUT WRITTEN CONSENT IS SUBJECT TO LEGAL ACTION.



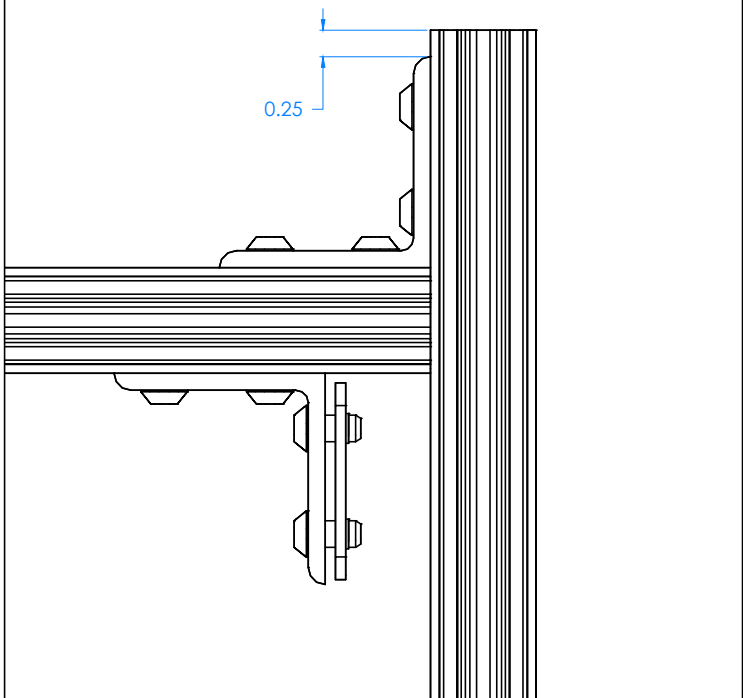
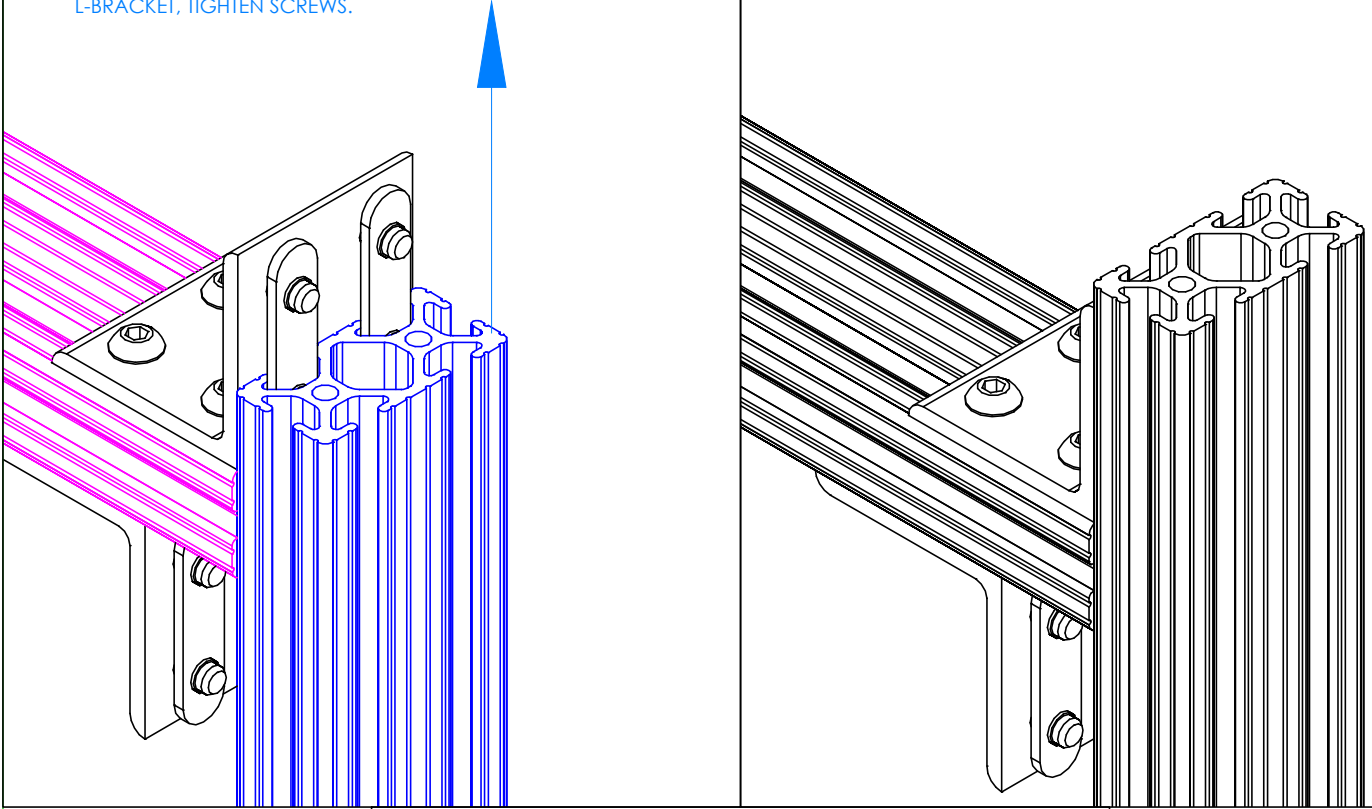
300 South Krueger Street  
Suring, WI 54174  
diversifiedwoodcrafts.com

TITLE:  
AUGMENTED REALITY SANDBOX  
UPPER ALUMINUM ASSEMBLY INSTRUCTIONS

DRAWING NUMBER:	ARS-4030	SCALE:	NTS	SHEET:	7 OF 18	REVISION:	REV A
-----------------	----------	--------	-----	--------	---------	-----------	-------

STEP 5:

SLIDE THE 1"x2"x48" EXTRUSION (PN 1020) OVER THE DOUBLE T-NUTS. MAKE SURE END OF 48" EXTRUSION IS 1/4" ABOVE THE TOP OF THE L-BRACKET, TIGHTEN SCREWS.



NOTE:

- ASSEMBLE ALL COMPONENTS ON A FLAT SURFACE TO ENSURE ALL JOINTS ARE SQUARE AND NOT TWISTED. IF JOINTS BECOME TWISTED WHEN TIGHTENING SCREWS, IT WILL THROW OFF THE CALIBRATION IN LATER STEPS.

ALL DIMENSIONS ARE IN INCHES UNLESS NOTED OTHERWISE		DWN BY:	RTT	DATE DWN:	3/23/17
DECIMALS: X = ± .030		APR BY:		DATE APR:	
XX = ± .020		APR BY:		DATE APR:	
XXX = ± .010		APR BY:		DATE APR:	
ANGLES: ± 1°		APR BY:		DATE APR:	
CABINET SQUARENESS: ± .0625		APR BY:		DATE APR:	

CONFIDENTIAL:  
ALL DESIGN RIGHTS RESERVED  
THE INFORMATION, DATA, DESIGN, AND DRAWINGS EMBODIED IN THIS DOCUMENT AND ALL REPRODUCTIONS THEREOF ARE THE EXCLUSIVE PROPERTY OF DIVERSIFIED WOODCRAFTS, INC.

THESE DOCUMENTS ARE SUPPLIED WITH THE UNDERSTANDING THAT THEY WILL NOT BE DISCLOSED TO THIRD PARTIES WITHOUT WRITTEN CONSENT OF DIVERSIFIED WOODCRAFTS, INC. ANY REPRODUCTION IN PART OR WHOLE WITHOUT WRITTEN CONSENT IS SUBJECT TO LEGAL ACTION.



300 South Krueger Street  
Suring, WI 54174  
diversifiedwoodcrafts.com

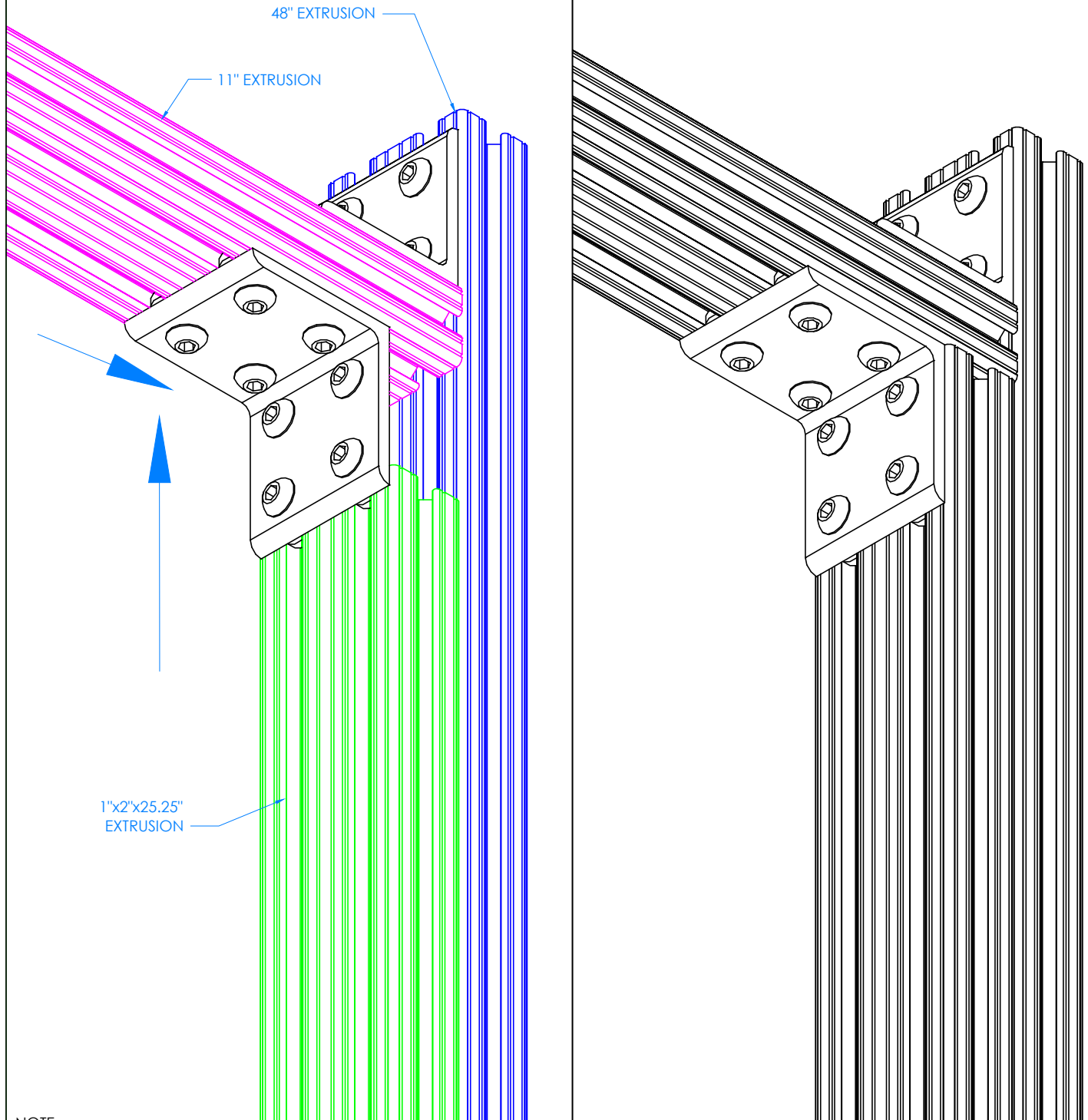
TITLE:  
AUGMENTED REALITY SANDBOX  
UPPER ALUMINUM ASSEMBLY INSTRUCTIONS

DRAWING NUMBER:	ARS-4030	SCALE:	NTS	SHEET:	8 OF 18	REVISION:	REV A
-----------------	----------	--------	-----	--------	---------	-----------	-------



STEP 6:

SLIDE THE 1"x2"x25.25" EXTRUSION (PN 1020) OVER THE DOUBLE T-NUTS, BETWEEN THE L-BRACKET (STILL LOOSE) & 48" EXTRUSION INSTALLED IN STEP 5. MAKE SURE THE EXTRUSION IS TIGHT TO THE TOP AND TO THE 48" EXTRUSION, TIGHTEN ALL 8 SCREWS.



NOTE:

- ASSEMBLE ALL COMPONENTS ON A FLAT SURFACE TO ENSURE ALL JOINTS ARE SQUARE AND NOT TWISTED. IF JOINTS BECOME TWISTED WHEN TIGHTENING SCREWS, IT WILL THROW OFF THE CALIBRATION IN LATER STEPS.

ALL DIMENSIONS ARE IN INCHES UNLESS NOTED OTHERWISE  
 DECIMALS: .X = ± .030  
 .XX = ± .020  
 .XXX = ± .010  
 ANGLES: ± 1°  
 CABINET SQUARENESS: ± .0625

DWN BY:	RTT	DATE DWN:	3/23/17
APR BY:		DATE APR:	
APR BY:		DATE APR:	

CONFIDENTIAL:  
 ALL DESIGN RIGHTS RESERVED  
 THE INFORMATION, DATA, DESIGN, AND DRAWINGS EMBODIED IN THIS DOCUMENT AND ALL REPRODUCTIONS THEREOF ARE THE EXCLUSIVE PROPERTY OF DIVERSIFIED WOODCRAFTS, INC.

THESE DOCUMENTS ARE SUPPLIED WITH THE UNDERSTANDING THAT THEY WILL NOT BE DISCLOSED TO THIRD PARTIES WITHOUT WRITTEN CONSENT OF DIVERSIFIED WOODCRAFTS, INC. ANY REPRODUCTION IN PART OR WHOLE WITHOUT WRITTEN CONSENT IS SUBJECT TO LEGAL ACTION.



300 South Krueger Street  
 Suring, WI 54174  
 diversifiedwoodcrafts.com

TITLE:  
 AUGMENTED REALITY SANDBOX  
 UPPER ALUMINUM ASSEMBLY INSTRUCTIONS

DRAWING NUMBER:	ARS-4030	SCALE:	NTS	SHEET:	9 OF 18	REVISION:	REV A
-----------------	----------	--------	-----	--------	---------	-----------	-------

STEP 7:

ASSEMBLE (4) 8-HOLE FLAT PLATES (PN 4165), (16) DOUBLE T-NUTS (PN 3280) AND (32) 1/4"-20 X .5" SCREWS (PN 3061) AS SHOWN BELOW. SLIDE 2 PLATE ASSEMBLIES UP EACH SIDE OF THE 48" EXTRUSION AS SHOWN. TOP PLATES WILL ALSO SLIDE INTO THE 25.25" EXTRUSION SO THE TOP T-NUT IS FULLY ENGAGED AND THE BOTTOM T-NUT IS NOT. TIGHTEN SCREWS/T-NUTS THAT ARE ENGAGED IN EXTRUSION ONLY. SLIDE BOTTOM PLATE UP 5" FROM THE BOTTOM OF 48" EXTRUSION, TIGHTEN SCREWS/T-NUTS THAT ARE ENGAGED IN EXTRUSION, LEAVE OTHERS LOOSE FOR NOW.

8 HOLE - FLAT PLATE

DOUBLE T-NUTS

48" EXTRUSION

1/4"-20 X .5" SCREWS

LEAVE THIS T-NUT ASSEMBLY LOOSE (ON BOTH TOP PLATES)

25.25" EXTRUSION

25.25" EXTRUSION 48" EXTRUSION

LEAVE THESE T-NUT ASSEMBLIES LOOSE (ON BOTH BOTTOM PLATES)

5.00

NOTE:

- ASSEMBLE ALL COMPONENTS ON A FLAT SURFACE TO ENSURE ALL JOINTS ARE SQUARE AND NOT TWISTED. IF JOINTS BECOME TWISTED WHEN TIGHTENING SCREWS, IT WILL THROW OFF THE CALIBRATION IN LATER STEPS.

ALL DIMENSIONS ARE IN INCHES UNLESS NOTED OTHERWISE	DWN BY:	RTT	DATE DWN:	3/23/17
DECIMALS: .X = ± .030	APR BY:		DATE APR:	
.XX = ± .020	APR BY:		DATE APR:	
.XXX = ± .010	APR BY:		DATE APR:	
ANGLES: ± 1°	APR BY:		DATE APR:	
CABINET SQUARENESS: ± .0625	APR BY:		DATE APR:	

CONFIDENTIAL: ALL DESIGN RIGHTS RESERVED THE INFORMATION, DATA, DESIGN, AND DRAWINGS EMBODIED IN THIS DOCUMENT AND ALL REPRODUCTIONS THEREOF ARE THE EXCLUSIVE PROPERTY OF DIVERSIFIED WOODCRAFTS, INC.

THESE DOCUMENTS ARE SUPPLIED WITH THE UNDERSTANDING THAT THEY WILL NOT BE DISCLOSED TO THIRD PARTIES WITHOUT WRITTEN CONSENT OF DIVERSIFIED WOODCRAFTS, INC. ANY REPRODUCTION IN PART OR WHOLE WITHOUT WRITTEN CONSENT IS SUBJECT TO LEGAL ACTION.



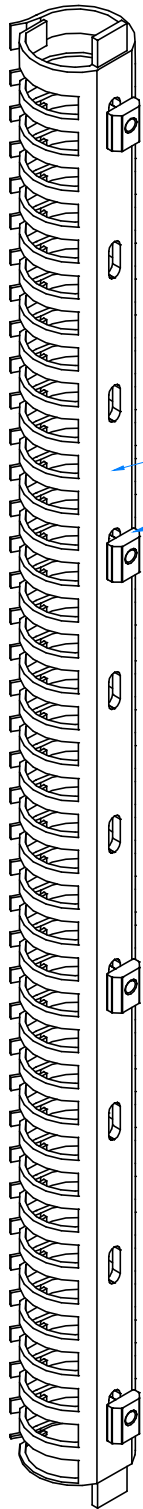
300 South Krueger Street  
Suring, WI 54174  
diversifiedwoodcrafts.com

TITLE: AUGMENTED REALITY SANDBOX UPPER ALUMINUM ASSEMBLY INSTRUCTIONS

DRAWING NUMBER:	SCALE:	SHEET:	REVISION:
ARS-4030	NTS	10 OF 18	REV A

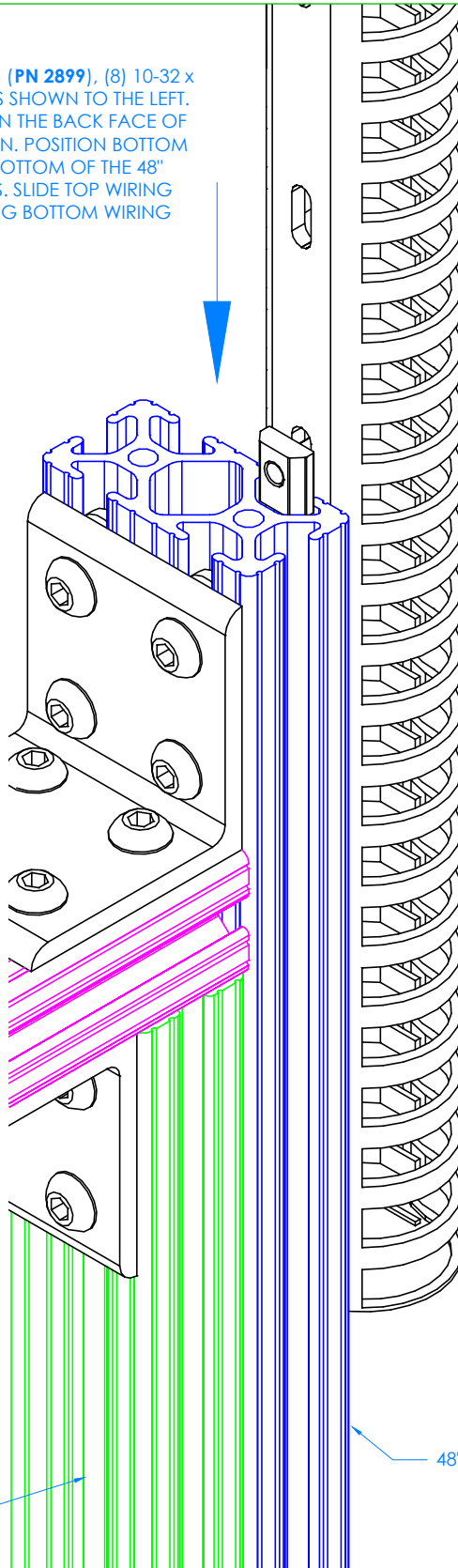
STEP 8:

ASSEMBLE (2) WIRING DUCTS (PN 2899), (8) 10-32 x .375" BOLT ASSY (PN 3426) AS SHOWN TO THE LEFT. SLIDE EACH ASSEMBLY DOWN THE BACK FACE OF THE 48" EXTRUSION AS SHOWN. POSITION BOTTOM WIRING DUCT 6" FROM THE BOTTOM OF THE 48" EXTRUSION, TIGHTEN SCREWS. SLIDE TOP WIRING DUCT DOWN UNTIL TOUCHING BOTTOM WIRING DUCT, TIGHTEN SCREWS.



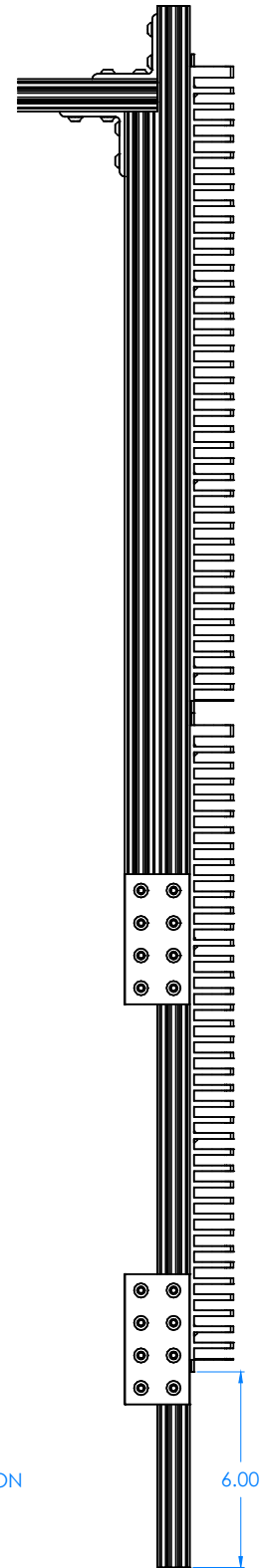
WIRING DUCT

10-32 x .375" BOLT ASSEMBLY



48" EXTRUSION

25.25" EXTRUSION



6.00

NOTE:

- ASSEMBLE ALL COMPONENTS ON A FLAT SURFACE TO ENSURE ALL JOINTS ARE SQUARE AND NOT TWISTED. IF JOINTS BECAME TWISTED WHEN TIGHTENING SCREWS, IT WILL THROW OFF THE CALIBRATION IN LATER STEPS.

ALL DIMENSIONS ARE IN INCHES UNLESS NOTED OTHERWISE		DWN BY:	RTT	DATE DWN:	3/23/17
DECIMALS: X = ± .030		APR BY:		DATE APR:	
XXX = ± .010		APR BY:		DATE APR:	
ANGLES: ± 1°		APR BY:		DATE APR:	
CABINET SQUARENESS: ± .0625		APR BY:		DATE APR:	

CONFIDENTIAL: ALL DESIGN RIGHTS RESERVED THE INFORMATION, DATA, DESIGN, AND DRAWINGS EMBODIED IN THIS DOCUMENT AND ALL REPRODUCTIONS THEREOF ARE THE EXCLUSIVE PROPERTY OF DIVERSIFIED WOODCRAFTS, INC.

THESE DOCUMENTS ARE SUPPLIED WITH THE UNDERSTANDING THAT THEY WILL NOT BE DISCLOSED TO THIRD PARTIES WITHOUT WRITTEN CONSENT OF DIVERSIFIED WOODCRAFTS, INC. ANY REPRODUCTION IN PART OR WHOLE WITHOUT WRITTEN CONSENT IS SUBJECT TO LEGAL ACTION.



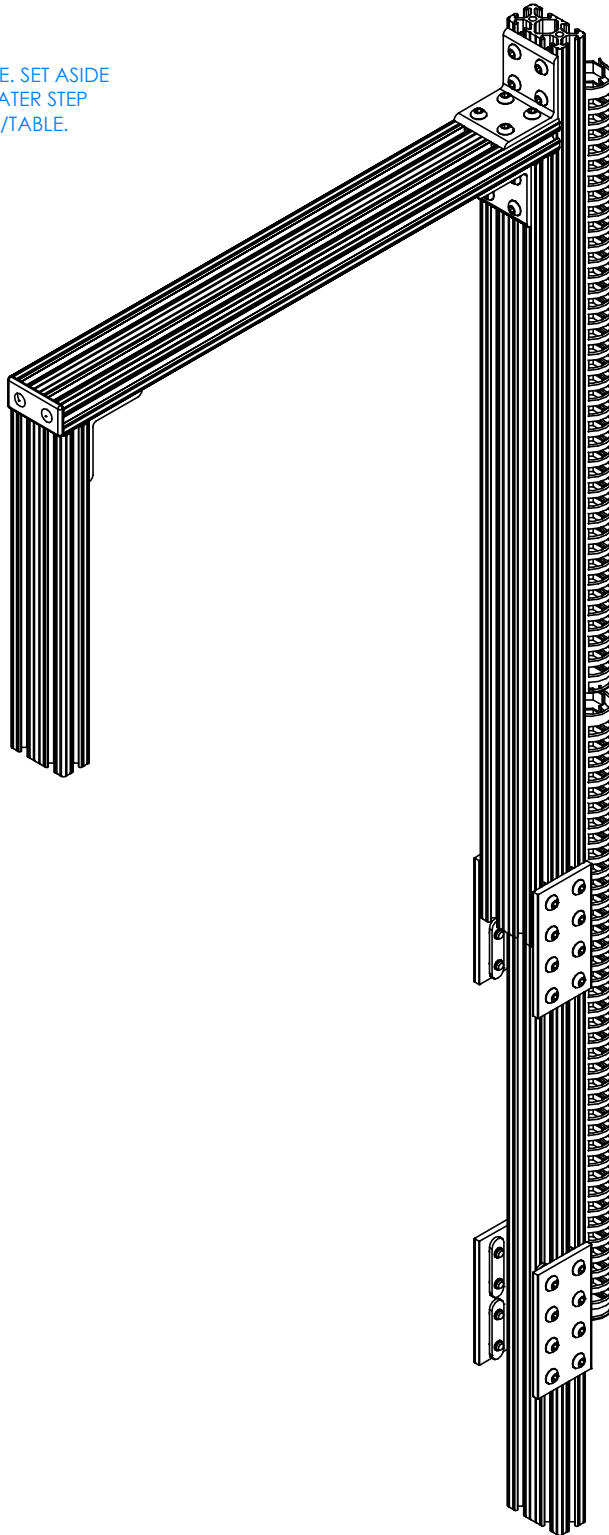
300 South Krueger Street  
Suring, WI 54174  
diversifiedwoodcrafts.com

TITLE: AUGMENTED REALITY SANDBOX UPPER ALUMINUM ASSEMBLY INSTRUCTIONS

DRAWING NUMBER:	ARS-4030	SCALE:	NTS	SHEET:	11 OF 18	REVISION:	REV A
-----------------	----------	--------	-----	--------	----------	-----------	-------

STEP 9:

UPPER ASSEMBLY IS NOW COMPLETE. SET ASIDE FOR NOW, THIS WILL BE USED IN A LATER STEP WHEN ASSEMBLING THE ENTIRE BOX/TABLE.



NOTE:

1. ASSEMBLE ALL COMPONENTS ON A FLAT SURFACE TO ENSURE ALL JOINTS ARE SQUARE AND NOT TWISTED. IF JOINTS BECOME TWISTED WHEN TIGHTENING SCREWS, IT WILL THROW OFF THE CALIBRATION IN LATER STEPS.

ALL DIMENSIONS ARE IN INCHES UNLESS NOTED OTHERWISE	DWN BY:	RTT	DATE DWN:	3/23/17
DECIMALS: X = ± .030	APR BY:		DATE APR:	
XX = ± .020	APR BY:		DATE APR:	
XXX = ± .010	APR BY:		DATE APR:	
ANGLES: ± 1°	APR BY:		DATE APR:	
CABINET SQUARENESS: ± .0625	APR BY:		DATE APR:	

CONFIDENTIAL:  
ALL DESIGN RIGHTS RESERVED  
THE INFORMATION, DATA, DESIGN, AND DRAWINGS EMBODIED IN THIS DOCUMENT AND ALL REPRODUCTIONS THEREOF ARE THE EXCLUSIVE PROPERTY OF DIVERSIFIED WOODCRAFTS, INC.

THESE DOCUMENTS ARE SUPPLIED WITH THE UNDERSTANDING THAT THEY WILL NOT BE DISCLOSED TO THIRD PARTIES WITHOUT WRITTEN CONSENT OF DIVERSIFIED WOODCRAFTS, INC. ANY REPRODUCTION IN PART OR WHOLE WITHOUT WRITTEN CONSENT IS SUBJECT TO LEGAL ACTION.



300 South Krueger Street  
Suring, WI 54174  
diversifiedwoodcrafts.com

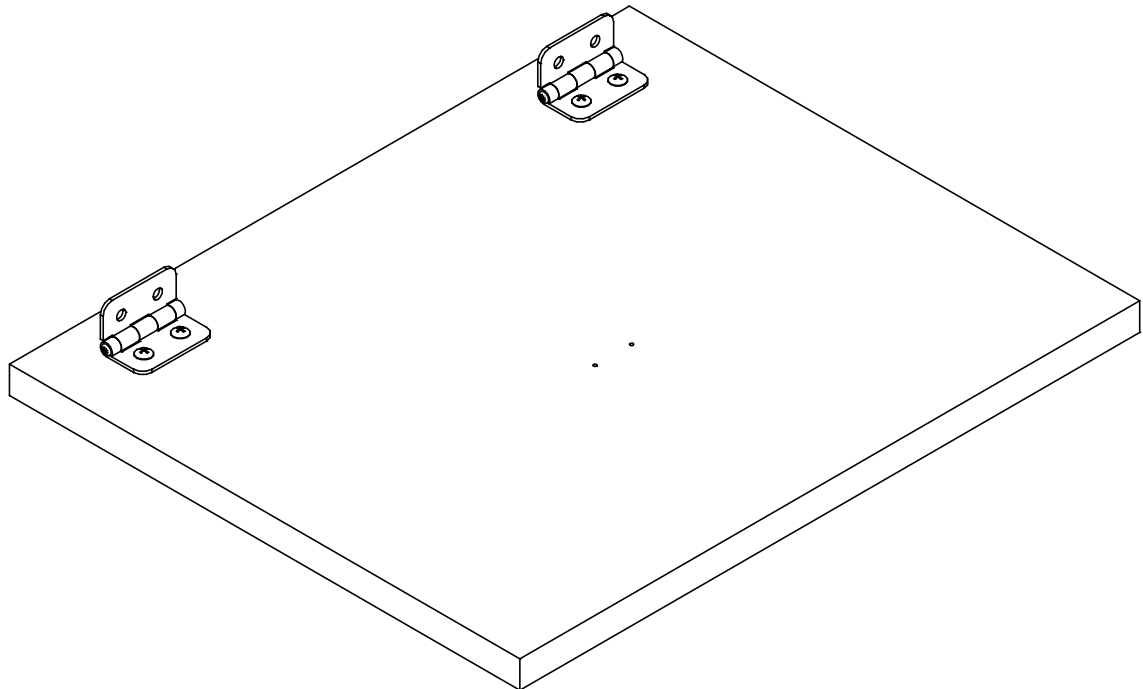
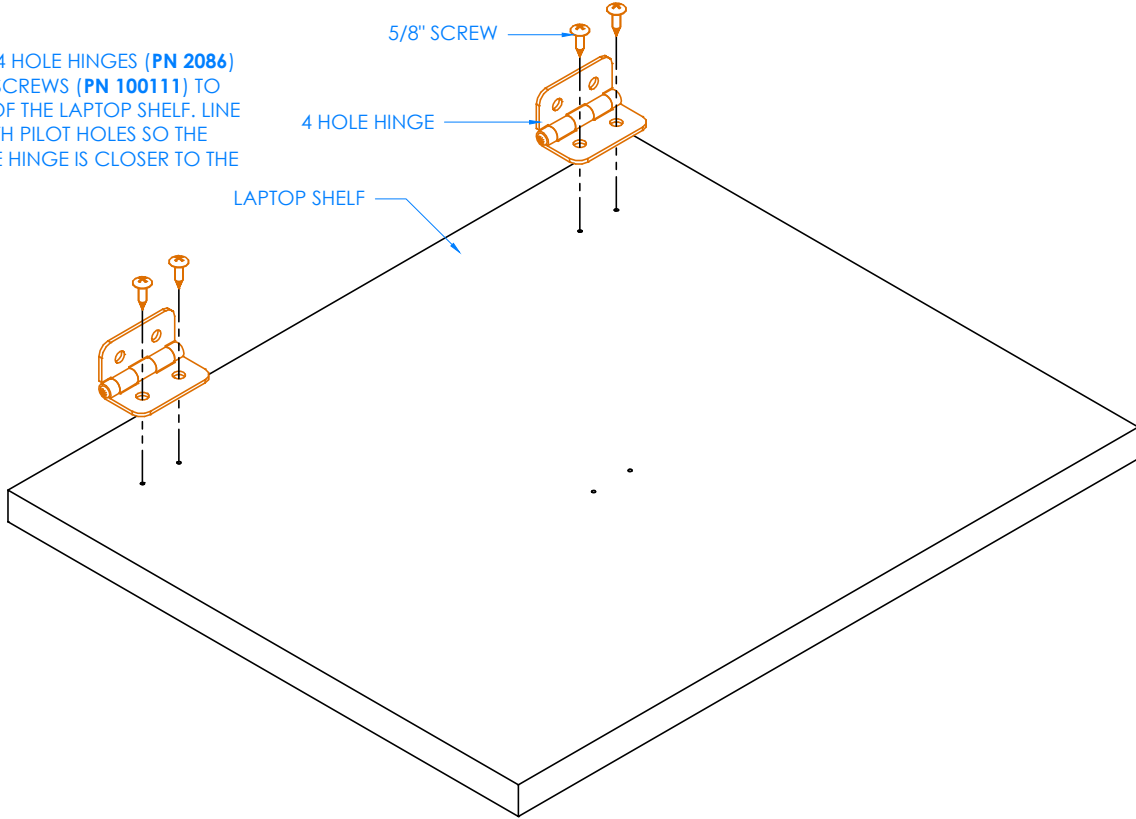
TITLE:  
AUGMENTED REALITY SANDBOX  
UPPER ALUMINUM ASSEMBLY INSTRUCTIONS

DRAWING NUMBER:	SCALE:	SHEET:	REVISION:
ARS-4030	NTS	12 OF 18	REV A

REV.	DESCRIPTION	DATE	NAME	ECN NO.
A	CREATED DRAWING	3/23/17	RTT	-
REVISION LEVEL				

STEP 10:

ASSEMBLE (2) 4 HOLE HINGES (PN 2086) AND (4) 5/8" SCREWS (PN 100111) TO THE BOTTOM OF THE LAPTOP SHELF. LINE HINGES UP WITH PILOT HOLES SO THE BARREL OF THE HINGE IS CLOSER TO THE EDGE.



NOTE:

- ASSEMBLE ALL COMPONENTS ON A FLAT SURFACE TO ENSURE ALL JOINTS ARE SQUARE AND NOT TWISTED. IF JOINTS BECOME TWISTED WHEN TIGHTENING SCREWS, IT WILL THROW OFF THE CALIBRATION IN LATER STEPS.

ALL DIMENSIONS ARE IN INCHES UNLESS NOTED OTHERWISE		DWN BY:	RTT	DATE DWN:	3/23/17
DECIMALS: X = ± .030		APR BY:		DATE APR:	
XXX = ± .020		APR BY:		DATE APR:	
ANGLES: ± 1°		APR BY:		DATE APR:	
CABINET SQUARENESS: ± .0625		APR BY:		DATE APR:	

CONFIDENTIAL:  
ALL DESIGN RIGHTS RESERVED  
THE INFORMATION, DATA, DESIGN, AND DRAWINGS EMBODIED IN THIS DOCUMENT AND ALL REPRODUCTIONS THEREOF ARE THE EXCLUSIVE PROPERTY OF DIVERSIFIED WOODCRAFTS, INC.

THESE DOCUMENTS ARE SUPPLIED WITH THE UNDERSTANDING THAT THEY WILL NOT BE DISCLOSED TO THIRD PARTIES WITHOUT WRITTEN CONSENT OF DIVERSIFIED WOODCRAFTS, INC. ANY REPRODUCTION IN PART OR WHOLE WITHOUT WRITTEN CONSENT IS SUBJECT TO LEGAL ACTION.



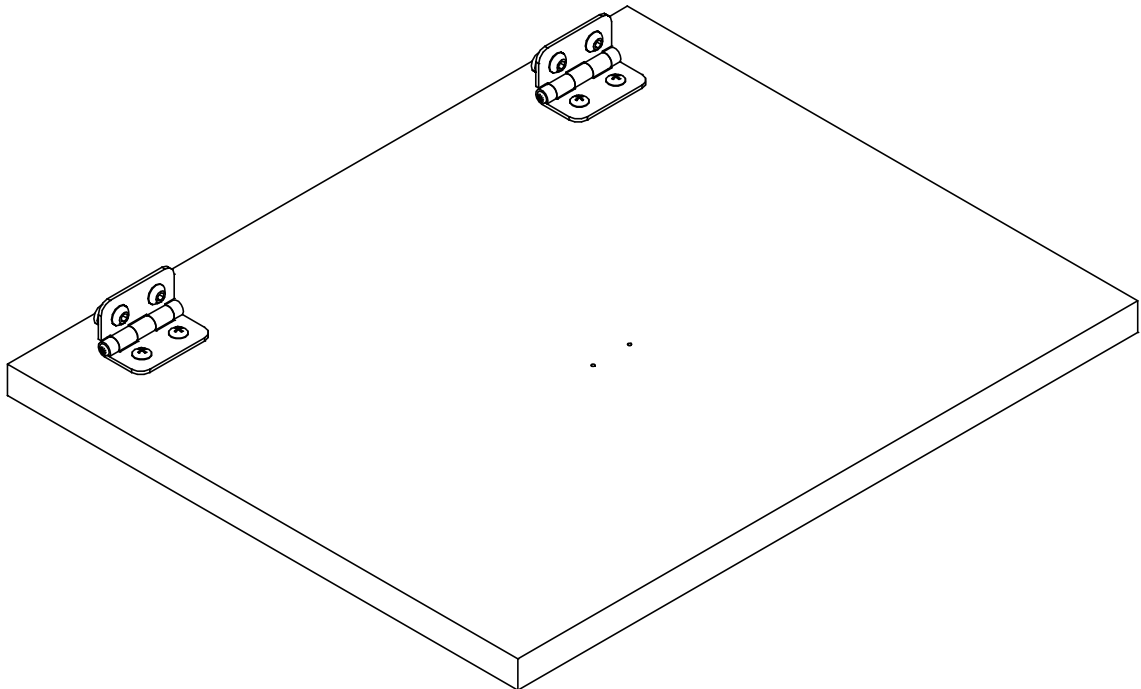
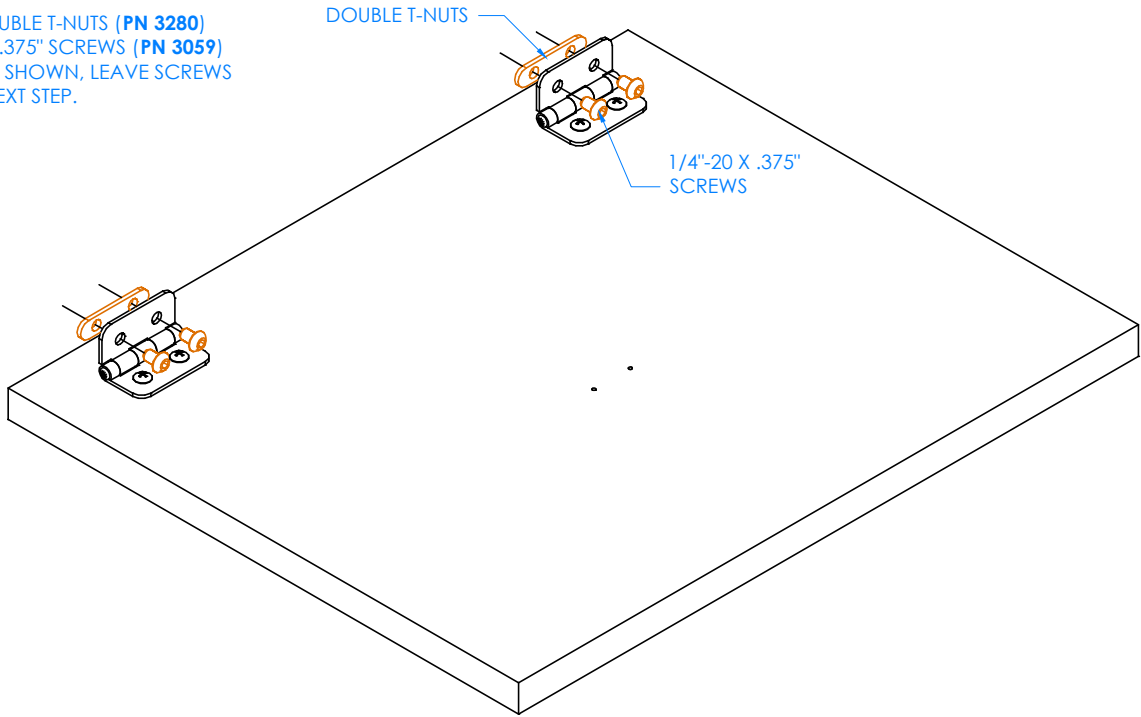
300 South Krueger Street  
Suring, WI 54174  
diversifiedwoodcrafts.com

TITLE:  
AUGMENTED REALITY SANDBOX  
LAPTOP SHELF ASSEMBLY INSTRUCTIONS

DRAWING NUMBER:	ARS-4030	SCALE:	NTS	SHEET:	13 OF 18	REVISION:	REV A
-----------------	----------	--------	-----	--------	----------	-----------	-------

STEP 11:

ASSEMBLE (2) DOUBLE T-NUTS (PN 3280) AND (4) 1/4"-20 X .375" SCREWS (PN 3059) TO THE HINGES AS SHOWN, LEAVE SCREWS LOOSE FOR THE NEXT STEP.



NOTE:

1. ASSEMBLE ALL COMPONENTS ON A FLAT SURFACE TO ENSURE ALL JOINTS ARE SQUARE AND NOT TWISTED. IF JOINTS BECAME TWISTED WHEN TIGHTENING SCREWS, IT WILL THROW OFF THE CALIBRATION IN LATER STEPS.

ALL DIMENSIONS ARE IN INCHES UNLESS NOTED OTHERWISE		DWN BY:	RTT	DATE DWN:	3/23/17
DECIMALS: X = ± .030		APR BY:		DATE APR:	
.XXX = ± .020		APR BY:		DATE APR:	
.XXX = ± .010		APR BY:		DATE APR:	
ANGLES: ± 1°		APR BY:		DATE APR:	
CABINET SQUARENESS: ± .0625		APR BY:		DATE APR:	

CONFIDENTIAL:  
ALL DESIGN RIGHTS RESERVED  
THE INFORMATION, DATA, DESIGN, AND DRAWINGS EMBODIED IN THIS DOCUMENT AND ALL REPRODUCTIONS THEREOF ARE THE EXCLUSIVE PROPERTY OF DIVERSIFIED WOODCRAFTS, INC.

THESE DOCUMENTS ARE SUPPLIED WITH THE UNDERSTANDING THAT THEY WILL NOT BE DISCLOSED TO THIRD PARTIES WITHOUT WRITTEN CONSENT OF DIVERSIFIED WOODCRAFTS, INC. ANY REPRODUCTION IN PART OR WHOLE WITHOUT WRITTEN CONSENT IS SUBJECT TO LEGAL ACTION.



300 South Krueger Street  
Suring, WI 54174  
diversifiedwoodcrafts.com

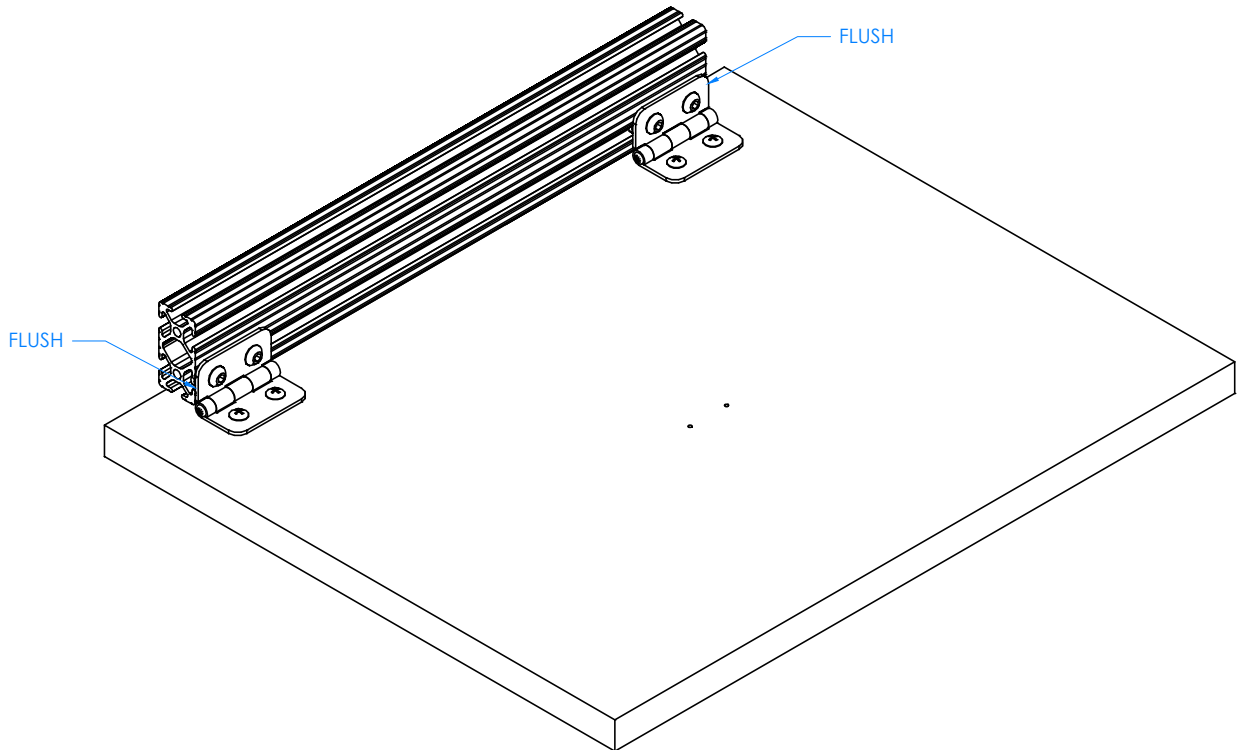
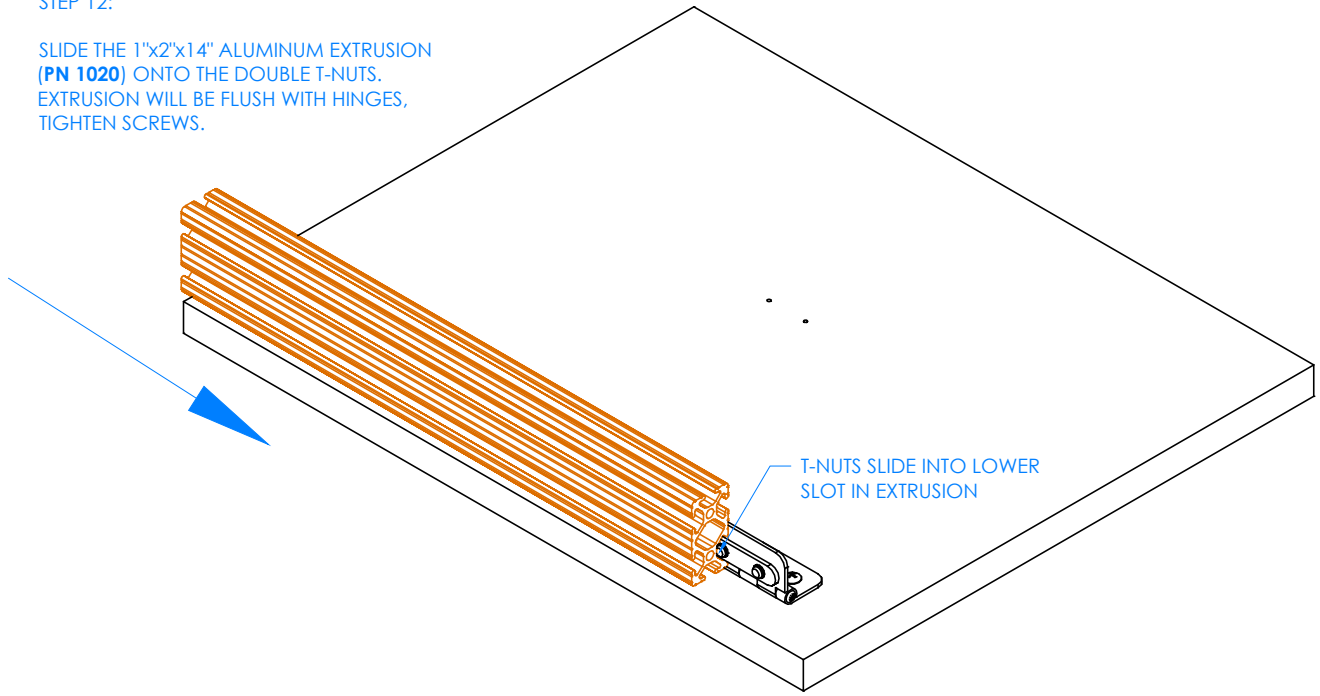
TITLE:  
AUGMENTED REALITY SANDBOX  
LAPTOP SHELF ASSEMBLY INSTRUCTIONS

DRAWING NUMBER:	ARS-4030	SCALE:	NTS	SHEET:	14 OF 18	REVISION:	REV A
-----------------	----------	--------	-----	--------	----------	-----------	-------

REV.	DESCRIPTION	DATE	NAME	ECN NO.
A	CREATED DRAWING	3/23/17	RTT	-
REVISION LEVEL				

**STEP 12:**

SLIDE THE 1"x2"x14" ALUMINUM EXTRUSION (PN 1020) ONTO THE DOUBLE T-NUTS. EXTRUSION WILL BE FLUSH WITH HINGES, TIGHTEN SCREWS.



**NOTE:**

1. ASSEMBLE ALL COMPONENTS ON A FLAT SURFACE TO ENSURE ALL JOINTS ARE SQUARE AND NOT TWISTED. IF JOINTS BECOME TWISTED WHEN TIGHTENING SCREWS, IT WILL THROW OFF THE CALIBRATION IN LATER STEPS.

ALL DIMENSIONS ARE IN INCHES UNLESS NOTED OTHERWISE		DWN BY:	RTT	DATE DWN:	3/23/17
DECIMALS: X = ± .030		APR BY:		DATE APR:	
XX = ± .020		APR BY:		DATE APR:	
XXX = ± .010		APR BY:		DATE APR:	
ANGLES: ± 1°		APR BY:		DATE APR:	
CABINET SQUARENESS: ± .0625		APR BY:		DATE APR:	

CONFIDENTIAL:  
ALL DESIGN RIGHTS RESERVED  
THE INFORMATION, DATA, DESIGN, AND DRAWINGS EMBODIED IN THIS DOCUMENT AND ALL REPRODUCTIONS THEREOF ARE THE EXCLUSIVE PROPERTY OF DIVERSIFIED WOODCRAFTS, INC.

THESE DOCUMENTS ARE SUPPLIED WITH THE UNDERSTANDING THAT THEY WILL NOT BE DISCLOSED TO THIRD PARTIES WITHOUT WRITTEN CONSENT OF DIVERSIFIED WOODCRAFTS, INC. ANY REPRODUCTION IN PART OR WHOLE WITHOUT WRITTEN CONSENT IS SUBJECT TO LEGAL ACTION.

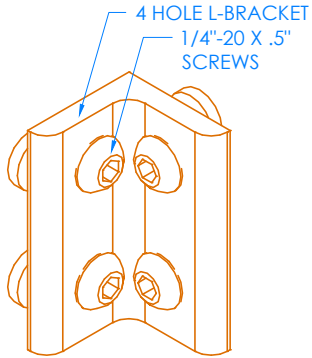
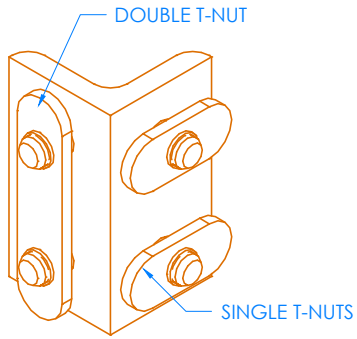


300 South Krueger Street  
Suring, WI 54174  
diversifiedwoodcrafts.com

TITLE:  
AUGMENTED REALITY SANDBOX  
LAPTOP SHELF ASSEMBLY INSTRUCTIONS

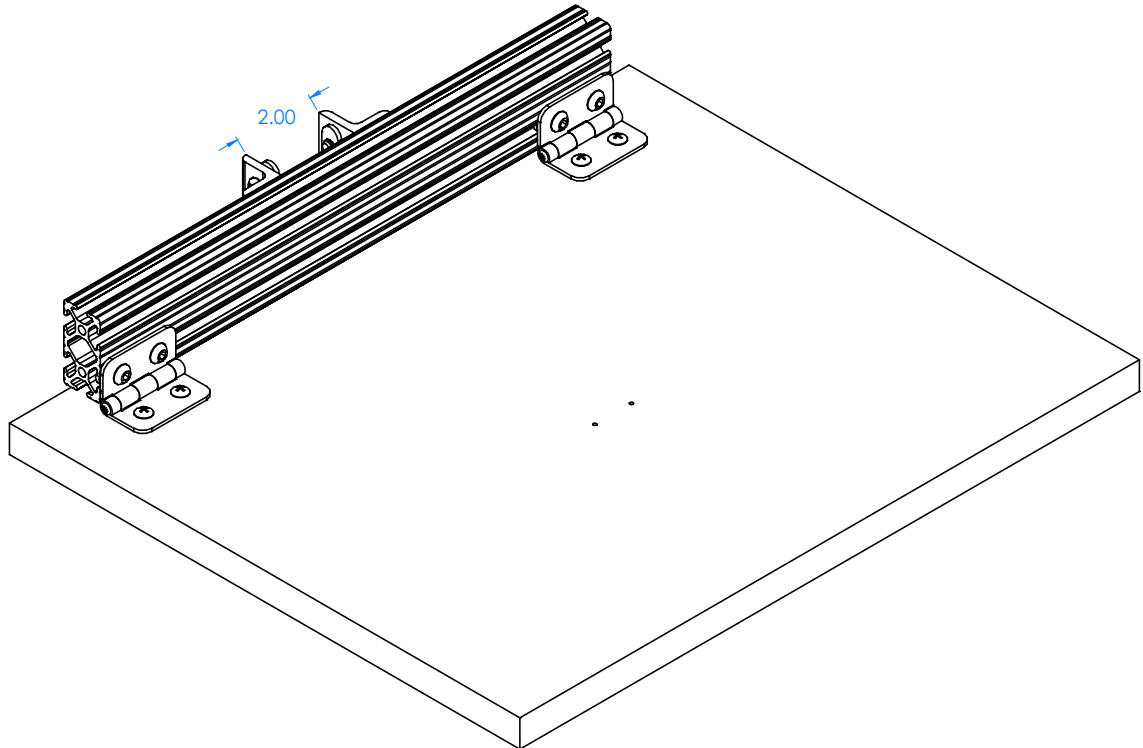
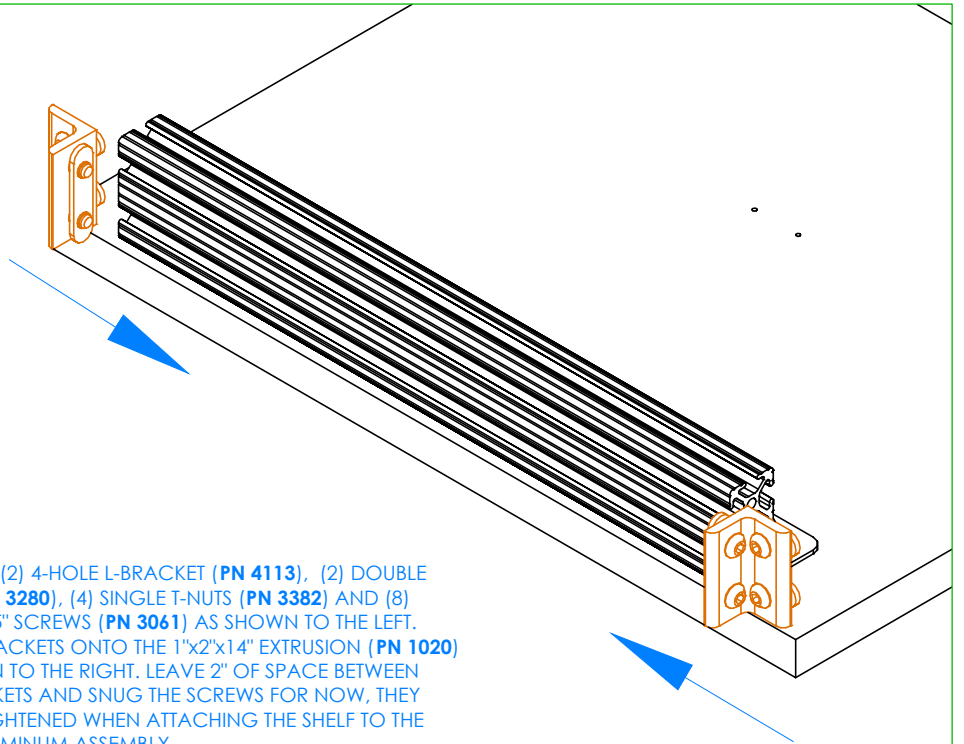
DRAWING NUMBER:	ARS-4030	SCALE:	NTS	SHEET:	15 OF 18	REVISION:	REV A
-----------------	----------	--------	-----	--------	----------	-----------	-------

REV.	DESCRIPTION	DATE	NAME	ECN NO.
A	CREATED DRAWING	3/23/17	RTT	-
REVISION LEVEL				



STEP 13:

ASSEMBLE (2) 4-HOLE L-BRACKET (PN 4113), (2) DOUBLE T-NUTS (PN 3280), (4) SINGLE T-NUTS (PN 3382) AND (8) 1/4"-20 X .5" SCREWS (PN 3061) AS SHOWN TO THE LEFT. SLIDE L-BRACKETS ONTO THE 1"x2"x14" EXTRUSION (PN 1020) AS SHOWN TO THE RIGHT. LEAVE 2" OF SPACE BETWEEN THE BRACKETS AND TIGHTEN THE SCREWS FOR NOW, THEY WILL BE TIGHTENED WHEN ATTACHING THE SHELF TO THE UPPER ALUMINUM ASSEMBLY.



NOTE:

- ASSEMBLE ALL COMPONENTS ON A FLAT SURFACE TO ENSURE ALL JOINTS ARE SQUARE AND NOT TWISTED. IF JOINTS BECOME TWISTED WHEN TIGHTENING SCREWS, IT WILL THROW OFF THE CALIBRATION IN LATER STEPS.

ALL DIMENSIONS ARE IN INCHES UNLESS NOTED OTHERWISE  
 DECIMALS: .X = ± .030  
 .XX = ± .020  
 .XXX = ± .010  
 ANGLES: ± 1°  
 CABINET SQUARENESS: ± .0625

DWN BY: RTT DATE DWN: 3/23/17  
 APR BY: DATE APR:  
 APR BY: DATE APR:

CONFIDENTIAL:  
 ALL DESIGN RIGHTS RESERVED  
 THE INFORMATION, DATA, DESIGN, AND DRAWINGS EMBODIED IN THIS DOCUMENT AND ALL REPRODUCTIONS THEREOF ARE THE EXCLUSIVE PROPERTY OF DIVERSIFIED WOODCRAFTS, INC.

THESE DOCUMENTS ARE SUPPLIED WITH THE UNDERSTANDING THAT THEY WILL NOT BE DISCLOSED TO THIRD PARTIES WITHOUT WRITTEN CONSENT OF DIVERSIFIED WOODCRAFTS, INC. ANY REPRODUCTION IN PART OR WHOLE WITHOUT WRITTEN CONSENT IS SUBJECT TO LEGAL ACTION.

300 South Krueger Street  
 Suring, WI 54174  
 diversifiedwoodcrafts.com

TITLE:  
 AUGMENTED REALITY SANDBOX  
 LAPTOP SHELF ASSEMBLY INSTRUCTIONS

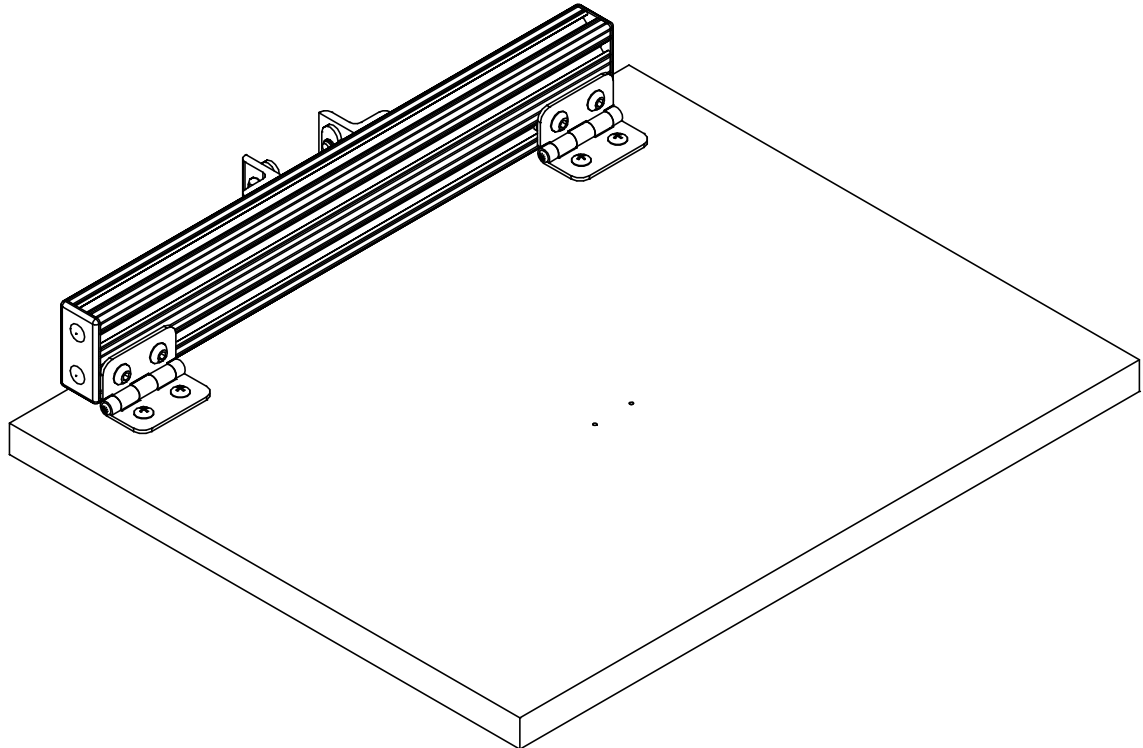
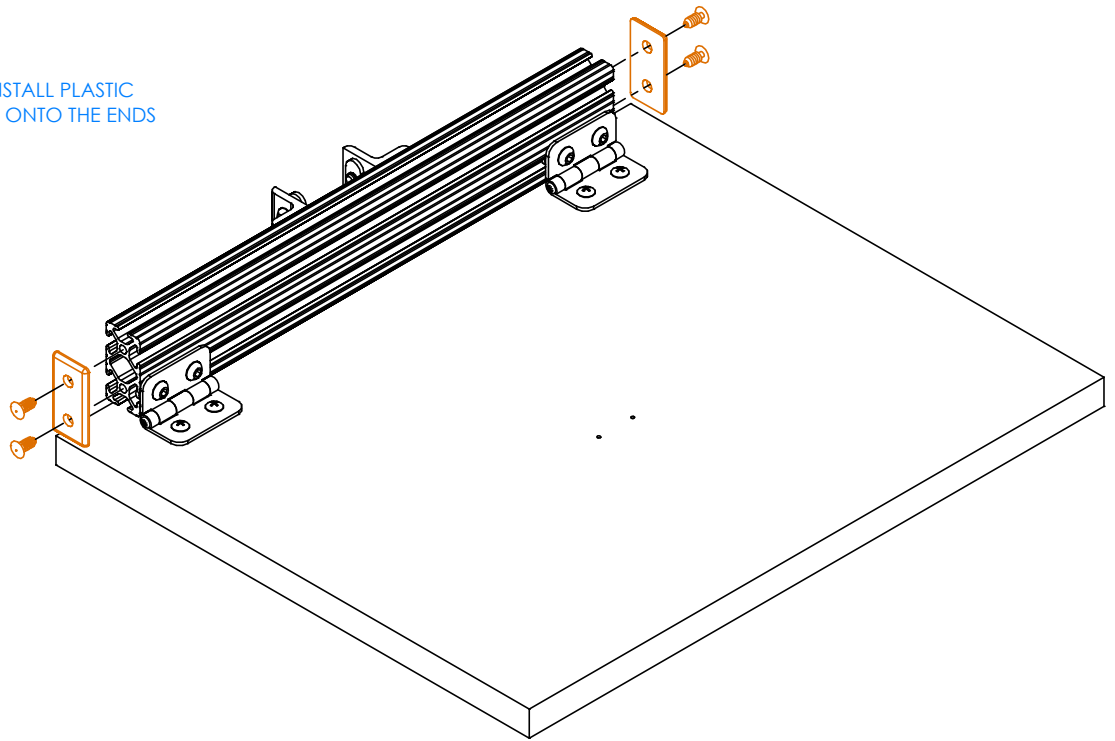
DRAWING NUMBER:	ARS-4030	SCALE:	NTS	SHEET:	16 OF 18	REVISION:	REV A
-----------------	----------	--------	-----	--------	----------	-----------	-------

REV.	DESCRIPTION	DATE	NAME	ECN NO.
A	CREATED DRAWING	3/23/17	RTT	-
REVISION LEVEL				



**STEP 14:**

USING A RUBBER Mallet, INSTALL PLASTIC END CAPS (PN 2025-PLAIN) ONTO THE ENDS OF THE 14.00" EXTRUSION.



**NOTE:**

1. ASSEMBLE ALL COMPONENTS ON A FLAT SURFACE TO ENSURE ALL JOINTS ARE SQUARE AND NOT TWISTED. IF JOINTS BECAME TWISTED WHEN TIGHTENING SCREWS, IT WILL THROW OFF THE CALIBRATION IN LATER STEPS.

ALL DIMENSIONS ARE IN INCHES UNLESS NOTED OTHERWISE		DWN BY:	RTT	DATE DWN:	3/23/17
DECIMALS: X = ± .030		APR BY:		DATE APR:	
XX = ± .020		APR BY:		DATE APR:	
XXX = ± .010		APR BY:		DATE APR:	
ANGLES: ± 1°		APR BY:		DATE APR:	
CABINET SQUARENESS: ± .0625		APR BY:		DATE APR:	

CONFIDENTIAL:  
ALL DESIGN RIGHTS RESERVED  
THE INFORMATION, DATA, DESIGN, AND DRAWINGS EMBODIED IN THIS DOCUMENT AND ALL REPRODUCTIONS THEREOF ARE THE EXCLUSIVE PROPERTY OF DIVERSIFIED WOODCRAFTS, INC.

THESE DOCUMENTS ARE SUPPLIED WITH THE UNDERSTANDING THAT THEY WILL NOT BE DISCLOSED TO THIRD PARTIES WITHOUT WRITTEN CONSENT OF DIVERSIFIED WOODCRAFTS, INC. ANY REPRODUCTION IN PART OR WHOLE WITHOUT WRITTEN CONSENT IS SUBJECT TO LEGAL ACTION.



300 South Krueger Street  
Suring, WI 54174  
diversifiedwoodcrafts.com

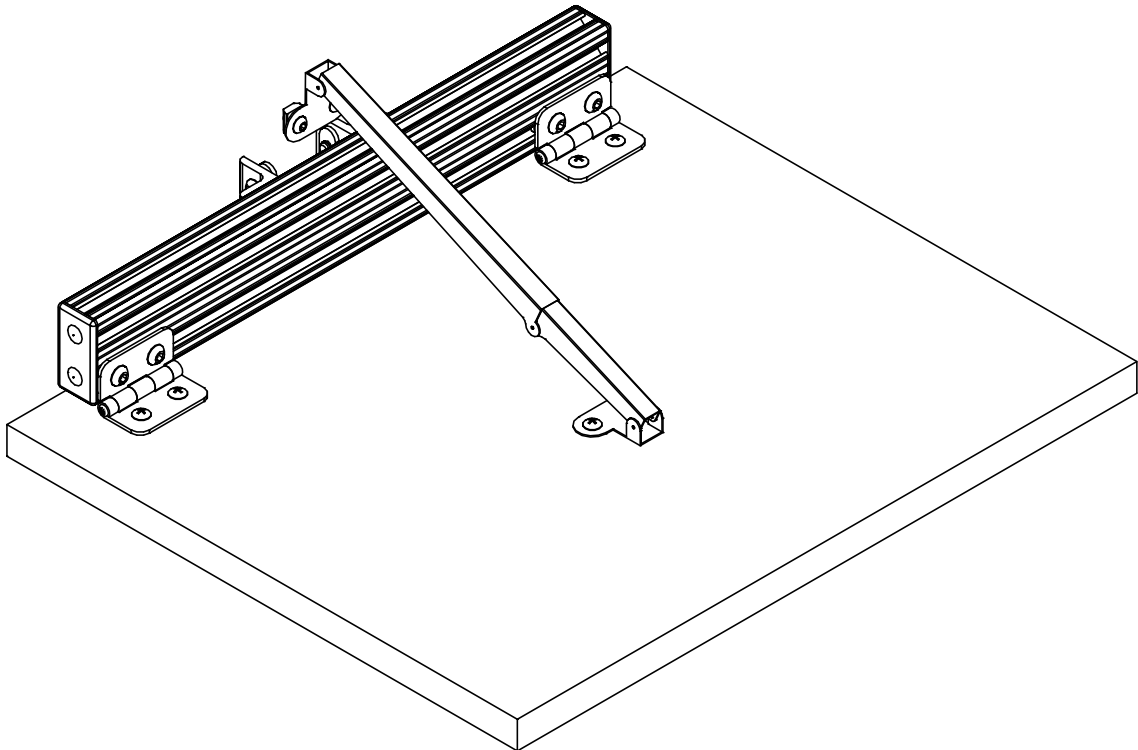
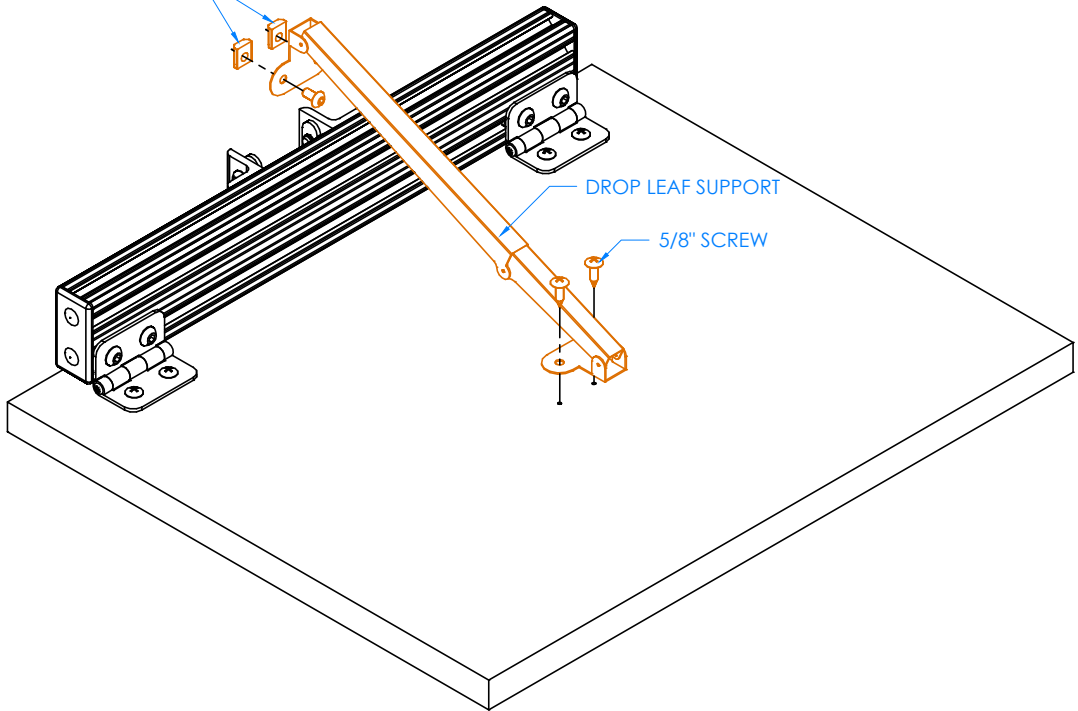
TITLE:  
AUGMENTED REALITY SANDBOX  
LAPTOP SHELF ASSEMBLY INSTRUCTIONS

DRAWING NUMBER:	ARS-4030	SCALE:	NTS	SHEET:	17 OF 18	REVISION:	REV A
-----------------	----------	--------	-----	--------	----------	-----------	-------

10-32 X .375" BOLT ASSEMBLY

STEP 15:

ATTACH THE DROP LEAF SUPPORT (PN 100028) TO THE BOTTOM OF THE SHELF USING (2) 5/8" SCREWS (PN 100111). MAKE SURE SUPPORT IS POSITIONED AS SHOWN AT THE RIGHT. ASSEMBLE (2) 10-32X.375" BOLT ASSEMBLIES (PN 3426) ONTO THE OPPOSITE END OF THE DROP LEAF SUPPORT, DO NOT TIGHTEN. YOUR LAPTOP SHELF IS NOW COMPLETE, SET ASIDE UNTIL CALLED FOR IN THE MAIN ASSEMBLY OF YOUR ARS-4030.



NOTE:

1. ASSEMBLE ALL COMPONENTS ON A FLAT SURFACE TO ENSURE ALL JOINTS ARE SQUARE AND NOT TWISTED. IF JOINTS BECOME TWISTED WHEN TIGHTENING SCREWS, IT WILL THROW OFF THE CALIBRATION IN LATER STEPS.

ALL DIMENSIONS ARE IN INCHES UNLESS NOTED OTHERWISE		DWN BY:	RTT	DATE DWN:	3/23/17
DECIMALS: X = ± .030		APR BY:		DATE APR:	
XX = ± .020		APR BY:		DATE APR:	
XXX = ± .010		APR BY:		DATE APR:	
ANGLES: ± 1°		APR BY:		DATE APR:	
CABINET SQUARENESS: ± .0625		APR BY:		DATE APR:	

CONFIDENTIAL:  
ALL DESIGN RIGHTS RESERVED  
THE INFORMATION, DATA, DESIGN, AND DRAWINGS EMBODIED IN THIS DOCUMENT AND ALL REPRODUCTIONS THEREOF ARE THE EXCLUSIVE PROPERTY OF DIVERSIFIED WOODCRAFTS, INC.

THESE DOCUMENTS ARE SUPPLIED WITH THE UNDERSTANDING THAT THEY WILL NOT BE DISCLOSED TO THIRD PARTIES WITHOUT WRITTEN CONSENT OF DIVERSIFIED WOODCRAFTS, INC. ANY REPRODUCTION IN PART OR WHOLE WITHOUT WRITTEN CONSENT IS SUBJECT TO LEGAL ACTION.



300 South Krueger Street  
Suring, WI 54174  
diversifiedwoodcrafts.com

TITLE:  
AUGMENTED REALITY SANDBOX  
LAPTOP SHELF ASSEMBLY INSTRUCTIONS

DRAWING NUMBER:	ARS-4030	SCALE:	NTS	SHEET:	18 OF 18	REVISION:	REV A
-----------------	----------	--------	-----	--------	----------	-----------	-------