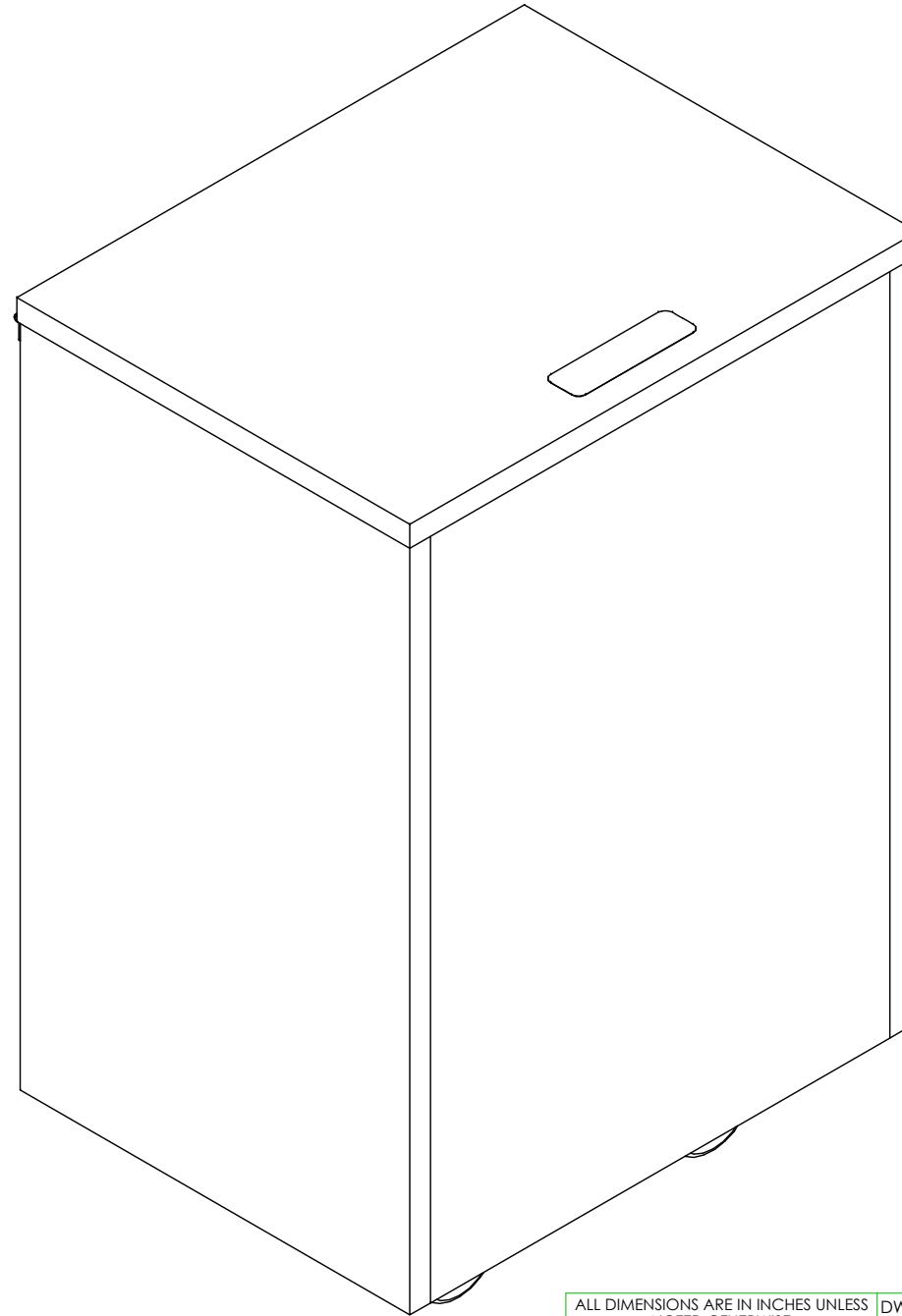


MOBILE CLAY CART

C-38 ASSEMBLY INSTRUCTIONS



NOTE:

1. MODEL VIEWS MAY NOT REPRESENT EXACT MODEL PURCHASED

REV.	DESCRIPTION	DATE	NAME	ECN No.
B	UPDATED CASTER STEP	3/4/2024	RJM	1447
A	CREATED DRAWING	9/17/14	EMR	N/A
	REVISION LEVEL			

ALL DIMENSIONS ARE IN INCHES UNLESS NOTED OTHERWISE DECIMALS: .X = ± .030 .XX = ± .020 .XXX = ± .010 ANGLES: = ± 1° CABINET SQUARENESS = ± .0625	DWN BY: EMR APR BY: APR BY:	DATE DWN: 9/17/14 DATE APR: DATE APR:
---	-----------------------------------	---

CONFIDENTIAL:
ALL DESIGN RIGHTS RESERVED.
THE INFORMATION, DATA, DESIGN, AND DRAWINGS EMBODIED IN THIS DOCUMENT AND ALL REPRODUCTIONS THEREOF ARE THE EXCLUSIVE PROPERTY OF DIVERSIFIED WOODCRAFTS, INC.

THESE DOCUMENTS ARE SUPPLIED WITH THE UNDERSTANDING THAT THEY WILL NOT BE DISCLOSED TO THIRD PARTIES WITHOUT WRITTEN CONSENT OF DIVERSIFIED WOODCRAFTS, INC. ANY REPRODUCTION IN PART OR WHOLE WITHOUT WRITTEN CONSENT IS SUBJECT TO LEGAL ACTION.



300 South Krueger Street
Suring, WI 54174
diversifiedwoodcrafts.com

TITLE:
**MOBILE CLAY CART
ASSEMBLY INSTRUCTIONS**

DRAWING NUMBER: C-38	SCALE: NTS	SHEET: 1 OF 5	REVISION: REV B
--------------------------------	---------------	------------------	--------------------

TOOLS REQUIRED

1/2" WRENCH

ADJUSTABLE PLIERS

ASSEMBLY COMPONENTS

ITEMS INCLUDED	PART #	PART DESCRIPTION	QTY
CLAY CART INSERT	15-0014	CLAY CART INSERTS	1
CASTERS	222033	CASTER,3 POLY. SWIVEL PLATE, W BRAKE	4
CASTER HARDWARE KIT	206509	CASTER,ASSY,HDWRE,16-SCREW,16-NUTS	1

NOTE:

1.

ALL DIMENSIONS ARE IN INCHES UNLESS NOTED OTHERWISE DECIMALS: .X = ± .030 .XX = ± .020 .XXX = ± .010 ANGLES: = ± 1° CABINET SQUARENESS = ± .0625	DWN BY:	EMR	DATE DWN:	9/17/14
	APR BY:		DATE APR:	
	APR BY:		DATE APR:	
	APR BY:		DATE APR:	



300 South Krueger Street
 Suring, WI 54174
 diversifiedwoodcrafts.com

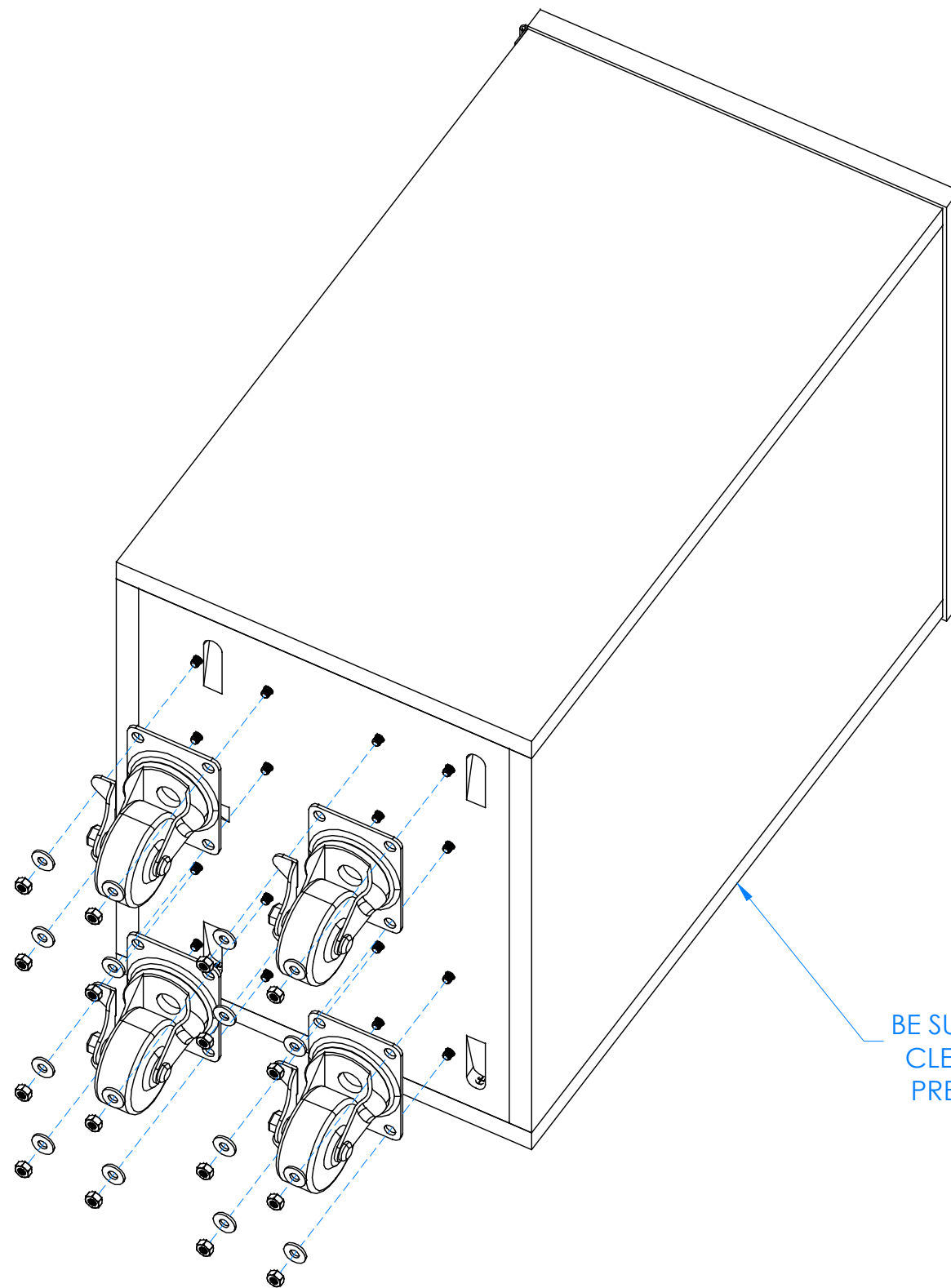
CONFIDENTIAL:
 ALL DESIGN RIGHTS RESERVED
 THE INFORMATION, DATA, DESIGN, AND DRAWINGS EMBODIED IN THIS DOCUMENT AND ALL REPRODUCTIONS THEREOF ARE THE EXCLUSIVE PROPERTY OF DIVERSIFIED WOODCRAFTS, INC.

TITLE:
**MOBILE CLAY CART
 TOOLS AND ASSEMBLY COMPONENTS**

THESE DOCUMENTS ARE SUPPLIED WITH THE UNDERSTANDING THAT THEY WILL NOT BE DISCLOSED TO THIRD PARTIES WITHOUT WRITTEN CONSENT OF DIVERSIFIED WOODCRAFTS, INC. ANY REPRODUCTION IN PART OR WHOLE WITHOUT WRITTEN CONSENT IS SUBJECT TO LEGAL ACTION.

DRAWING NUMBER:	SCALE:	SHEET:	REVISION:
C-38	NTS	2 OF 5	REV B

REV.	DESCRIPTION	DATE	NAME	ECN No.
B	UPDATED CASTER STEP	3/4/2024	RJM	1447
A	CREATED DRAWING	9/17/14	EMR	N/A
REVISION LEVEL				



****NOTE***
**BE SURE CART IS ON A
 CLEAN SURFACE TO
 PREVENT DAMAGE**

HARDWARE REQUIRED FOR STEP

QTY	DESCRIPTION	PART NUMBER
4	CASTERS	222033
1	CASTER HARDWARE KIT	206509

STEP 1:

- a. LAY CART ON ITS BACK.
- b. ATTACH CASTERS FROM INSIDE OF CART USING PROVIDED HARDWARE LISTED ABOVE. ****SEE NOTE****

NOTE:


- 1. ****ATTACH CASTERS WITH FLAT HEAD BOLT THREADS FACING OUTSIDE OF THE CABINET LIKE SHOWN ABOVE.****

REV.	DESCRIPTION	DATE	NAME	ECN No.
B	UPDATED CASTER STEP	3/4/2024	RJM	1447
A	CREATED DRAWING	9/17/14	EMR	N/A
REVISION LEVEL				

ALL DIMENSIONS ARE IN INCHES UNLESS NOTED OTHERWISE DECIMALS: .X = ± .030 .XX = ± .020 .XXX = ± .010 ANGLES: = ± 1° CABINET SQUARENESS = ± .0625	DWN BY: EMR APR BY:	DATE DWN: 9/17/14 DATE APR:
---	------------------------	--------------------------------

CONFIDENTIAL:
 ALL DESIGN RIGHTS RESERVED.
 THE INFORMATION, DATA, DESIGN, AND DRAWINGS EMBODIED IN THIS DOCUMENT AND ALL REPRODUCTIONS THEREOF ARE THE EXCLUSIVE PROPERTY OF DIVERSIFIED WOODCRAFTS, INC.

THESE DOCUMENTS ARE SUPPLIED WITH THE UNDERSTANDING THAT THEY WILL NOT BE DISCLOSED TO THIRD PARTIES WITHOUT WRITTEN CONSENT OF DIVERSIFIED WOODCRAFTS, INC. ANY REPRODUCTION IN PART OR WHOLE WITHOUT WRITTEN CONSENT IS SUBJECT TO LEGAL ACTION.

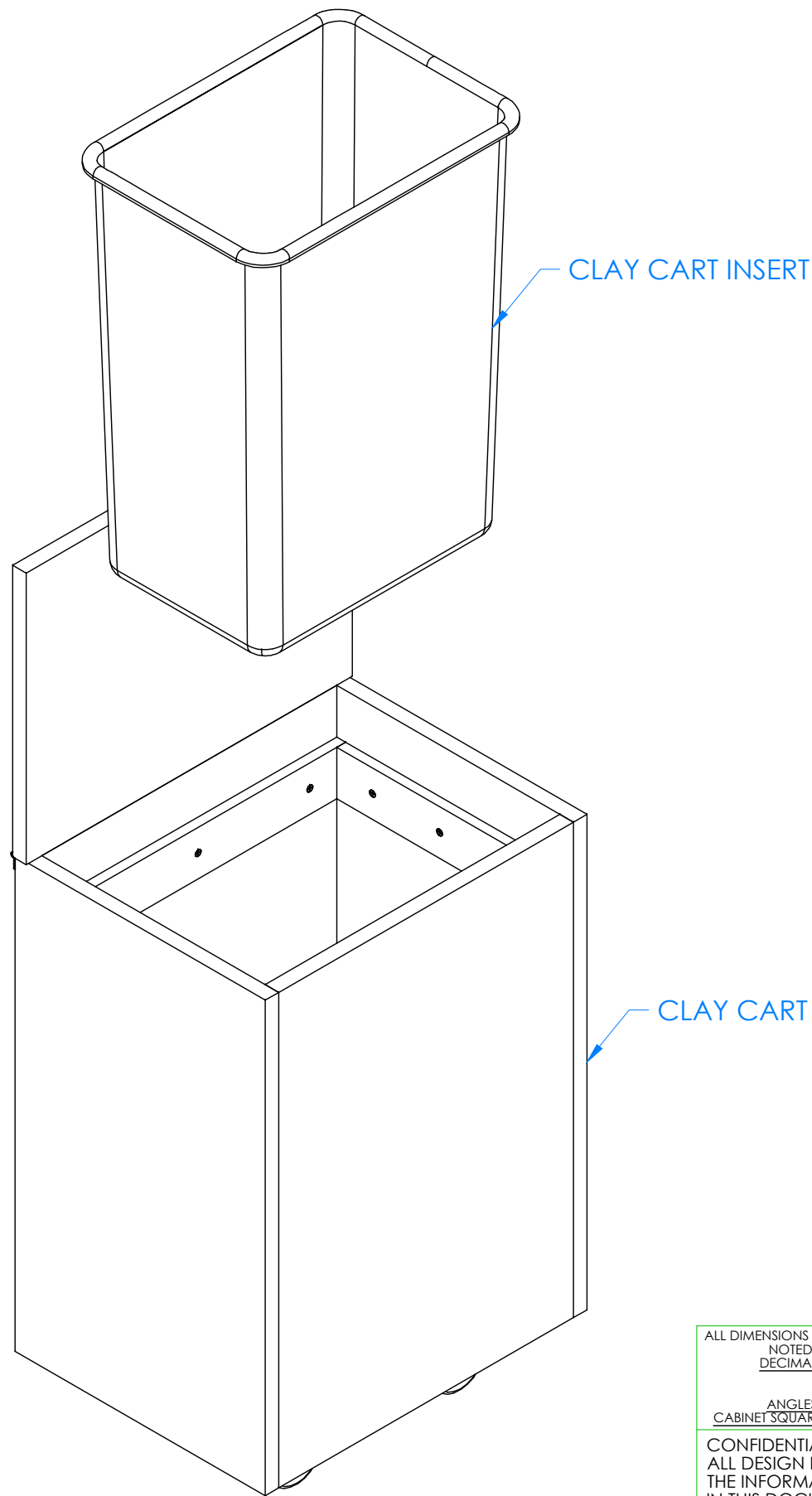
	300 South Krueger Street Suring, WI 54174 diversifiedwoodcrafts.com		
	TITLE: MOBILE CLAY CART ASSEMBLY INSTRUCTIONS		
DRAWING NUMBER:	SCALE:	SHEET:	REVISION:
C-38	NTS	3 OF 5	REV B

HARDWARE REQUIRED FOR STEP

QTY	DESCRIPTION	PART NUMBER
1	CLAY CART INSERT	15-0014

STEP 2:

- a. TIP CART UP ONTO CASTERS.
- b. PLACE CLAY INSERT INTO CART.



NOTE:

1.

ALL DIMENSIONS ARE IN INCHES UNLESS NOTED OTHERWISE DECIMALS: .X = ± .030 .XX = ± .020 .XXX = ± .010 ANGLES: = ± 1° CABINET SQUARENESS = ± .0625	DWN BY:	EMR	DATE DWN:	9/17/14
	APR BY:		DATE APR:	
	APR BY:		DATE APR:	
	APR BY:		DATE APR:	



300 South Krueger Street
 Suring, WI 54174
 diversifiedwoodcrafts.com

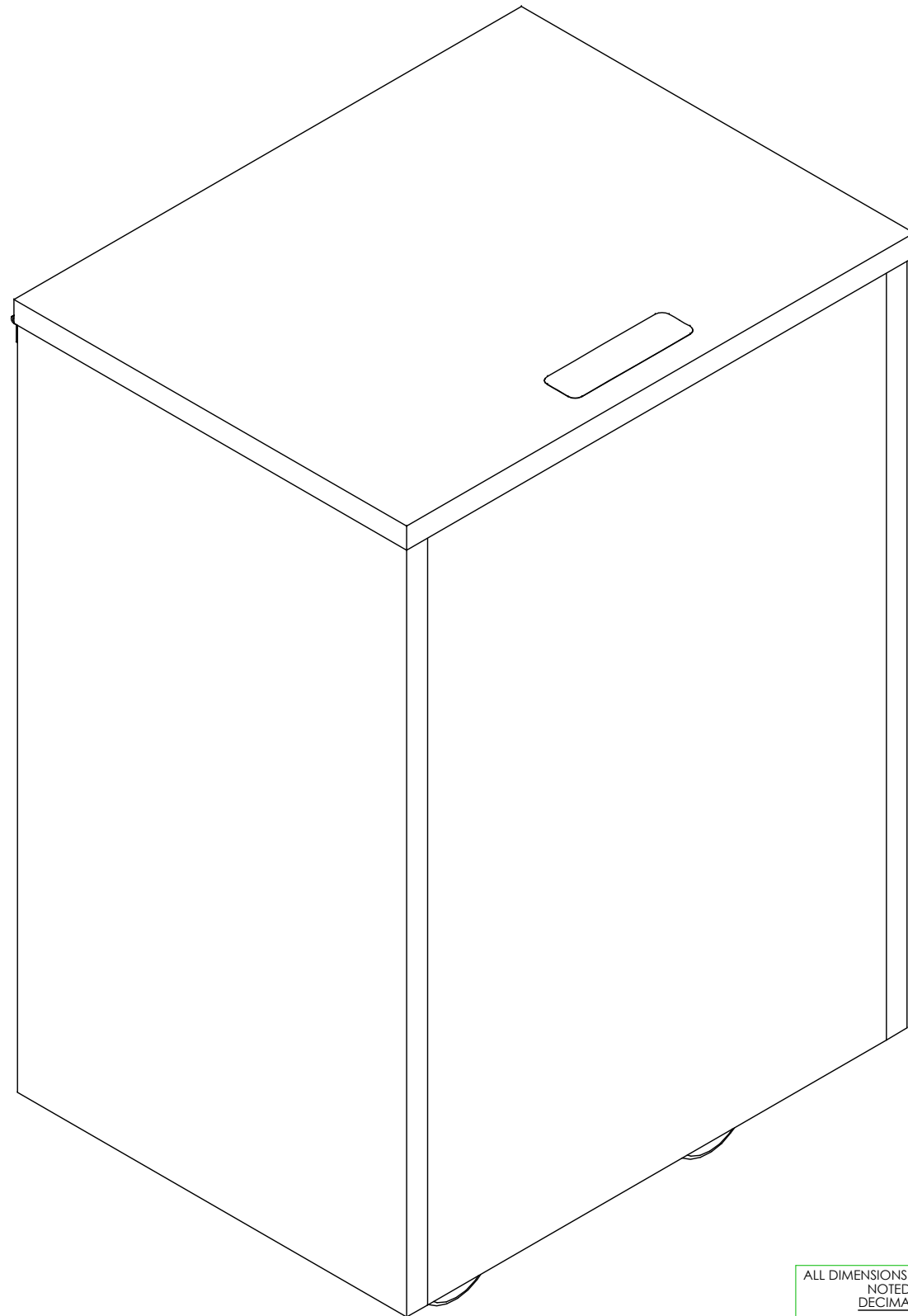
CONFIDENTIAL:
 ALL DESIGN RIGHTS RESERVED.
 THE INFORMATION, DATA, DESIGN, AND DRAWINGS EMBODIED IN THIS DOCUMENT AND ALL REPRODUCTIONS THEREOF ARE THE EXCLUSIVE PROPERTY OF DIVERSIFIED WOODCRAFTS, INC.

TITLE:
**MOBILE CLAY CART
 ASSEMBLY INSTRUCTIONS**

THESE DOCUMENTS ARE SUPPLIED WITH THE UNDERSTANDING THAT THEY WILL NOT BE DISCLOSED TO THIRD PARTIES WITHOUT WRITTEN CONSENT OF DIVERSIFIED WOODCRAFTS, INC. ANY REPRODUCTION IN PART OR WHOLE WITHOUT WRITTEN CONSENT IS SUBJECT TO LEGAL ACTION.

REV.	DESCRIPTION	DATE	NAME	ECN No.
B	UPDATED CASTER STEP	3/4/2024	RJM	1447
A	CREATED DRAWING	9/17/14	EMR	N/A
REVISION LEVEL				

DRAWING NUMBER:	SCALE:	SHEET:	REVISION:
C-38	NTS	4 OF 5	REV B



STEP 3:

- a. PLACE CART IN DESIRED LOCATION.

NOTE:

1.

COMPLETE UNIT SHOWN

REV.	DESCRIPTION	DATE	NAME	ECN No.
B	UPDATED CASTER STEP	3/4/2024	RJM	1447
A	CREATED DRAWING	9/17/14	EMR	N/A
REVISION LEVEL				

ALL DIMENSIONS ARE IN INCHES UNLESS NOTED OTHERWISE DECIMALS: .X = ± .030 .XX = ± .020 .XXX = ± .010 ANGLES: = ± 1° CABINET SQUARENESS = ± .0625	DWN BY: EMR APR BY: APR BY:	DATE DWN: 9/17/14 DATE APR: DATE APR:
---	-----------------------------------	---

CONFIDENTIAL:
ALL DESIGN RIGHTS RESERVED
THE INFORMATION, DATA, DESIGN, AND DRAWINGS EMBODIED IN THIS DOCUMENT AND ALL REPRODUCTIONS THEREOF ARE THE EXCLUSIVE PROPERTY OF DIVERSIFIED WOODCRAFTS, INC.

THESE DOCUMENTS ARE SUPPLIED WITH THE UNDERSTANDING THAT THEY WILL NOT BE DISCLOSED TO THIRD PARTIES WITHOUT WRITTEN CONSENT OF DIVERSIFIED WOODCRAFTS, INC. ANY REPRODUCTION IN PART OR WHOLE WITHOUT WRITTEN CONSENT IS SUBJECT TO LEGAL ACTION.



300 South Krueger Street
Suring, WI 54174
diversifiedwoodcrafts.com

TITLE:
MOBILE CLAY CART
ASSEMBLY INSTRUCTIONS

DRAWING NUMBER:	SCALE:	SHEET:	REVISION:
C-38	NTS	5 OF 5	REV B