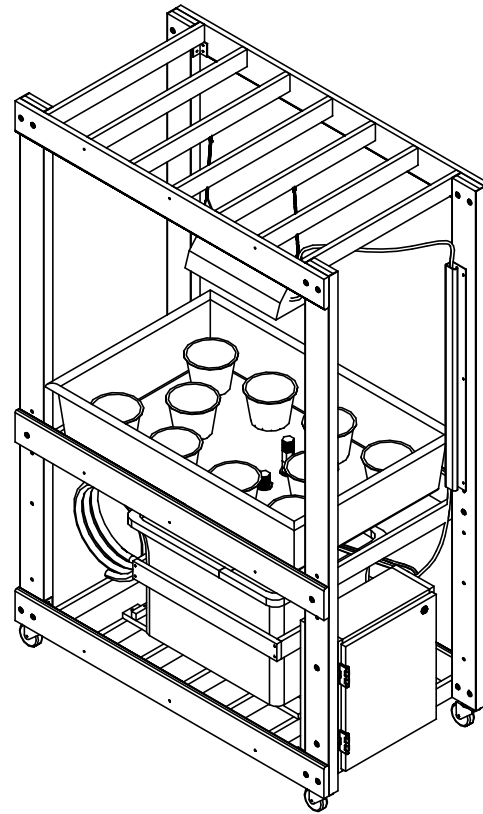


# HYDROPONICS GROWING CENTER

## HGC-52 ASSEMBLY INSTRUCTIONS



**NOTE:**

1. MODEL VIEWS MAY NOT REPRESENT EXACT MODEL PURCHASED

ALL DIMENSIONS ARE IN INCHES UNLESS NOTED OTHERWISE	DWN BY:	EMR	DATE DWN:	10/8/14
DECIMALS: X = ± .030	APR BY:		DATE APR:	
XX = ± .020	APR BY:		DATE APR:	
XXX = ± .010	APR BY:		DATE APR:	
ANGLES: = ± 1°	APR BY:		DATE APR:	
CABINET SQUARENESS: = ± .0625	APR BY:		DATE APR:	

CONFIDENTIAL:  
ALL DESIGN RIGHTS RESERVED  
THE INFORMATION, DATA, DESIGN, AND DRAWINGS EMBODIED IN THIS DOCUMENT AND ALL REPRODUCTIONS THEREOF ARE THE EXCLUSIVE PROPERTY OF DIVERSIFIED WOODCRAFTS, INC.

THESE DOCUMENTS ARE SUPPLIED WITH THE UNDERSTANDING THAT THEY WILL NOT BE DISCLOSED TO THIRD PARTIES WITHOUT WRITTEN CONSENT OF DIVERSIFIED WOODCRAFTS, INC. ANY REPRODUCTION IN PART OR WHOLE WITHOUT WRITTEN CONSENT IS SUBJECT TO LEGAL ACTION.



300 South Krueger Street  
Suring, WI 54174  
diversifiedwoodcrafts.com

TITLE:  
HYDROPONICS GROWING CENTER  
ASSEMBLY INSTRUCTIONS

REV.	DESCRIPTION	DATE	NAME	ECN NO.
A	CREATED ASSEMBLY INSTRUCTIONS	10/8/14	EMR	771
REVISION LEVEL				

DRAWING NUMBER:	HGC-52	SCALE:	NTS	SHEET:	1 OF 15	REVISION:	REV A
-----------------	--------	--------	-----	--------	---------	-----------	-------

### TOOLS REQUIRED - NOT INCLUDED

4MM ALLEN WRENCH
5MM ALLEN WRENCH
PHILLIPS TIP SCREW DRIVER
DRILL & 1/8" DRILL BIT
TEFLON PLUMBERS TAPE

### ASSEMBLY COMPONENTS

ITEMS INCLUDED	PART #	PART DESCRIPTION	QTY
CABINET	N/A	CABINET - 16.00W X 19.00H X 6.25D	1
LEGS	N/A	LEGS - 4.00W X 75.00L X 1.50THK	4
TOP, MIDDLE, AND BOTTOM ASSEMBLIES	N/A	ASSEMBLIES - 51.50W X 27.63D X 4.50H	3
BRACKET - TOP ASSEMBLY	100525	BRACKET,RAIL 1.5X 1.5X .125, 1.885L	8
SCREWS - TOP ASSEMBLY	100649	SCREW,#8X3/4 PHIL TRUSS HEAD SMS	32
CONFIRMATS	250150	SCREW,1/4-20X50MM,CON, ALLENHEAD,BLK	22
CONNECTING NUT	234337-JC N	JOINT CONNECTING NUT, 1/4-20X17MM	22
FLAT WASHERS	250805	WASHER,5/16,FLAT,BLACK OXIDE	22
CASTERS	100080	CASTER,3 SWIVEL PLATE,TABLE	4
WIRE MANAGEMENT	219409	4332KAV,WIRE MANAGEMENT, ONE CHANNEL	2.67 LF
SCREWS - WIRE MANAGEMENT	236263	SCREW,#6X3/4 TRUSS HEAD,QUAD,BLACK	3
*GROW TRAY*	250170	GROW TRAY, 41.50W X 27.50D X 8.25H	1
*GROW TRAY BULKHEAD KIT*	250162	FIXTURE,EBB & FLOW BULKHEAD KIT	1
*WATER RESERVOIR*	250169	TOTE,25 GAL,ROUGHNECK,DARK INDIGO	1
*RESERVOIR BULKHEAD FITTING*	250779	FIXTURE,HYDRO FLOW BULKHEAD KIT	1
*BALL VALVE*	250777	FIXTURE,PVC BALL VALVE,LOW PRESSURE	1

**NOTE:**

1. BULKHEAD FITTINGS, BALL VALVE & PIPE NIPPLE ASSEMBLED TO GROW TRAY & RESERVOIR AT DWI.
2. GFCI POWER STRIP MOUNTED IN CABINET AT DWI.

ALL DIMENSIONS ARE IN INCHES UNLESS NOTED OTHERWISE		DWN BY: EMR	DATE DWN: 10/8/14
DECIMALS: X = ± .030	XX = ± .020	APR BY:	DATE APR:
ANGLES: = ± 1°	.XXX = ± .010	APR BY:	DATE APR:
CABINET SQUARENESS: = ± .0625			

CONFIDENTIAL:  
ALL DESIGN RIGHTS RESERVED  
THE INFORMATION, DATA, DESIGN, AND DRAWINGS EMBODIED IN THIS DOCUMENT AND ALL REPRODUCTIONS THEREOF ARE THE EXCLUSIVE PROPERTY OF DIVERSIFIED WOODCRAFTS, INC.

THESE DOCUMENTS ARE SUPPLIED WITH THE UNDERSTANDING THAT THEY WILL NOT BE DISCLOSED TO THIRD PARTIES WITHOUT WRITTEN CONSENT OF DIVERSIFIED WOODCRAFTS, INC. ANY REPRODUCTION IN PART OR WHOLE WITHOUT WRITTEN CONSENT IS SUBJECT TO LEGAL ACTION.



300 South Krueger Street  
Suring, WI 54174  
diversifiedwoodcrafts.com

TITLE:  
HYDROPONICS GROWING CENTER  
TOOLS AND ASSEMBLY COMPONENTS

DRAWING NUMBER: <b>HGC-52</b>	SCALE: NTS	SHEET: 2 OF 15	REVISION: REV A
----------------------------------	---------------	-------------------	--------------------

REV.	DESCRIPTION	DATE	NAME	ECN NO.
A	CREATED ASSEMBLY INSTRUCTIONS	10/8/14	EMR	771
REVISION LEVEL				

## ASSEMBLY COMPONENTS

ITEMS INCLUDED	PART #	PART DESCRIPTION	QTY
*BALL VALVE*	250777	FIXTURE,PVC BALL VALVE,LOW PRESSURE	1
*1/2" PIPE NIPPLE*	250778	FIXTURE,PVC THREADED PIPE NIPPLE	1
PLANT POTS	250163	NET POTS, 6"	10
GROW LIGHT	250165	ELECTRICAL,GROW LIGHT, 150 WATT	1
J-HOOKS	250789	HOOK,J-SHAPE,SCREW IN, ZINC PLATED	2
LIGHT CHAIN	250788	CHAIN,FLAT LINK SASH	2 LF
1/4" TUBING	250166	TUBING,1/4" CLEAR AIRLINE	5
1/2" TUBING	250167	TUBING,1/2" BLACK HOSE	3
3/4" TUBING	250168	TUBING,3/4" BLACK HOSE	4
TIMER	250164	ELECTRICAL, TIMER, 24 HR, DUAL 15 MIN	2
SUBMERSIBLE PUMP	250159	FIXTURE,SUBMERSIBLE PUMP,264 GPH	1
AIR PUMP	250160	FIXTURE,AIR PUMP,1 OUTLET	1
AIR STONE	250161	FIXTURE,AIR STONE,4"LONG	1
*GFCI POWER STRIP*	250802	ELECTRICAL,TRIPP LITE,6 OUTLET GFCI	1

**NOTE:**

1. BULKHEAD FITTINGS, BALL VALVE & PIPE NIPPLE ASSEMBLED TO GROW TRAY & RESERVOIR AT DWI.
2. GFCI POWER STRIP MOUNTED IN CABINET AT DWI.

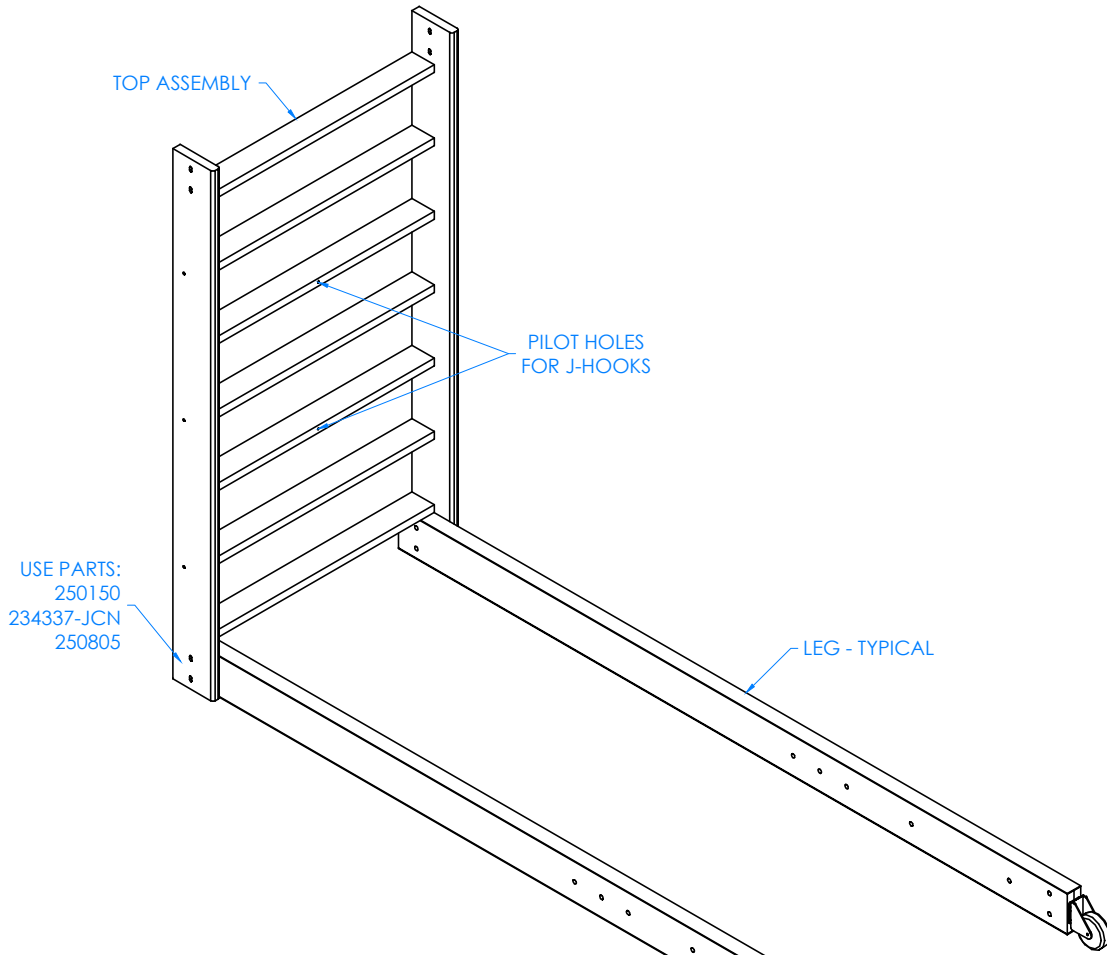
REV.	DESCRIPTION	DATE	NAME	ECN NO.
A	CREATED ASSEMBLY INSTRUCTIONS	10/8/14	EMR	771
REVISION LEVEL				

ALL DIMENSIONS ARE IN INCHES UNLESS NOTED OTHERWISE DECIMALS: .X = ± .030 .XX = ± .020 .XXX = ± .010 ANGLES: = ± 1° CABINET SQUARENESS = ± .0625	DWN BY: EMR APR BY:	DATE DWN: 10/8/14 DATE APR:
CONFIDENTIAL: ALL DESIGN RIGHTS RESERVED THE INFORMATION, DATA, DESIGN, AND DRAWINGS EMBODIED IN THIS DOCUMENT AND ALL REPRODUCTIONS THEREOF ARE THE EXCLUSIVE PROPERTY OF DIVERSIFIED WOODCRAFTS, INC.		
THESE DOCUMENTS ARE SUPPLIED WITH THE UNDERSTANDING THAT THEY WILL NOT BE DISCLOSED TO THIRD PARTIES WITHOUT WRITTEN CONSENT OF DIVERSIFIED WOODCRAFTS, INC. ANY REPRODUCTION IN PART OR WHOLE WITHOUT WRITTEN CONSENT IS SUBJECT TO LEGAL ACTION.		

300 South Krueger Street  
Suring, WI 54174  
diversifiedwoodcrafts.com

**TITLE:**  
HYDROPONICS GROWING CENTER  
TOOLS AND ASSEMBLY COMPONENTS

DRAWING NUMBER: <b>HGC-52</b>	SCALE: NTS	SHEET: 3 OF 14	REVISION: REV A
----------------------------------	---------------	-------------------	--------------------



STEP 1:

- LAY TWO LEGS ON EDGE AND SCREW ON TOP ASSEMBLY WITH THE CONFIRMATS AND CONNECTING NUTS PROVIDED (PART #'s 250150, 234337-JCN & 250805).
- DO NOT TIGHTEN ALL THE WAY.
- MAKE SURE YOU APPLY THE CORRECT ASSEMBLIES IN THE CORRECT LOCATIONS.
- SEE NOTE & DETAIL A

NOTE:

1. TOP ASSEMBLY HAS TWO HOLES ON EACH SIDE OF LEGS WITH HOOKS IN MIDDLE OF BRACING FOR LIGHT FIXTURE, MIDDLE ASSEMBLY HAS ONLY ONE HOLE ON EACH SIDE OF LEGS, AND THE BOTTOM ASSEMBLY HAS TWO HOLES ON EACH SIDE PLUS CLEATS OVER THE BRACING FOR MORE SUPPORT. SEE STEP 2 FOR CLARIFICATION.

ALL DIMENSIONS ARE IN INCHES UNLESS NOTED OTHERWISE	DWN BY:	EMR	DATE DWN:	10/8/14
DECIMALS: X = ± .020	APR BY:		DATE APR:	
XX = ± .020	APR BY:		DATE APR:	
XXX = ± .010	APR BY:		DATE APR:	
ANGLES: = ± 1°	APR BY:		DATE APR:	
CABINET SQUARENESS: = ± .0625	APR BY:		DATE APR:	

CONFIDENTIAL:  
 ALL DESIGN RIGHTS RESERVED  
 THE INFORMATION, DATA, DESIGN, AND DRAWINGS EMBODIED IN THIS DOCUMENT AND ALL REPRODUCTIONS THEREOF ARE THE EXCLUSIVE PROPERTY OF DIVERSIFIED WOODCRAFTS, INC.

THESE DOCUMENTS ARE SUPPLIED WITH THE UNDERSTANDING THAT THEY WILL NOT BE DISCLOSED TO THIRD PARTIES WITHOUT WRITTEN CONSENT OF DIVERSIFIED WOODCRAFTS, INC. ANY REPRODUCTION IN PART OR WHOLE WITHOUT WRITTEN CONSENT IS SUBJECT TO LEGAL ACTION.

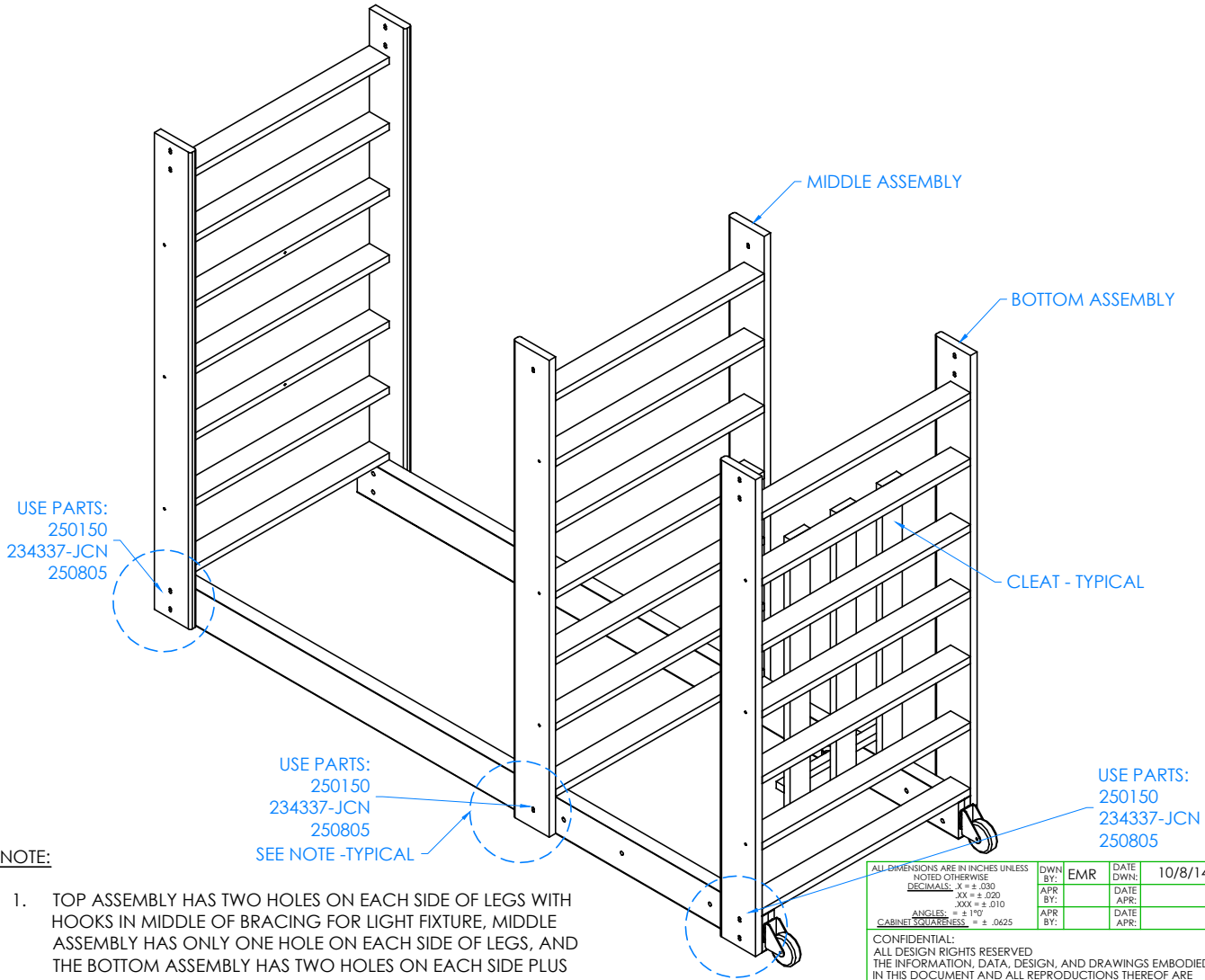


300 South Krueger Street  
 Suring, WI 54174  
 diversifiedwoodcrafts.com

TITLE:  
 HYDROPONICS GROWING CENTER  
 ASSEMBLY INSTRUCTIONS

REV.	DESCRIPTION	DATE	NAME	ECN NO.
A	CREATED ASSEMBLY INSTRUCTIONS	10/8/14	EMR	771
REVISION LEVEL				

DRAWING NUMBER:	SCALE:	SHEET:	REVISION:
HGC-52	NTS	4 OF 15	REV A



STEP 2:

- REPEAT STEP 1 FOR MIDDLE AND TOP ASSEMBLIES.

NOTE:

1. TOP ASSEMBLY HAS TWO HOLES ON EACH SIDE OF LEGS WITH HOOKS IN MIDDLE OF BRACING FOR LIGHT FIXTURE, MIDDLE ASSEMBLY HAS ONLY ONE HOLE ON EACH SIDE OF LEGS, AND THE BOTTOM ASSEMBLY HAS TWO HOLES ON EACH SIDE PLUS CLEATS OVER THE BRACING FOR MORE SUPPORT. SEE STEP 2 FOR CLARIFICATION.

ALL DIMENSIONS ARE IN INCHES UNLESS NOTED OTHERWISE	DWN BY:	EMR	DATE DWN:	10/8/14
DECIMALS: X = ± .030	APR BY:		DATE APR:	
XX = ± .020	APR BY:		DATE APR:	
XXX = ± .010	APR BY:		DATE APR:	
ANGLES: = ± 1°				
CABINET SQUARENESS: = ± .0625				

CONFIDENTIAL:  
 ALL DESIGN RIGHTS RESERVED  
 THE INFORMATION, DATA, DESIGN, AND DRAWINGS EMBODIED IN THIS DOCUMENT AND ALL REPRODUCTIONS THEREOF ARE THE EXCLUSIVE PROPERTY OF DIVERSIFIED WOODCRAFTS, INC.

THESE DOCUMENTS ARE SUPPLIED WITH THE UNDERSTANDING THAT THEY WILL NOT BE DISCLOSED TO THIRD PARTIES WITHOUT WRITTEN CONSENT OF DIVERSIFIED WOODCRAFTS, INC. ANY REPRODUCTION IN PART OR WHOLE WITHOUT WRITTEN CONSENT IS SUBJECT TO LEGAL ACTION.

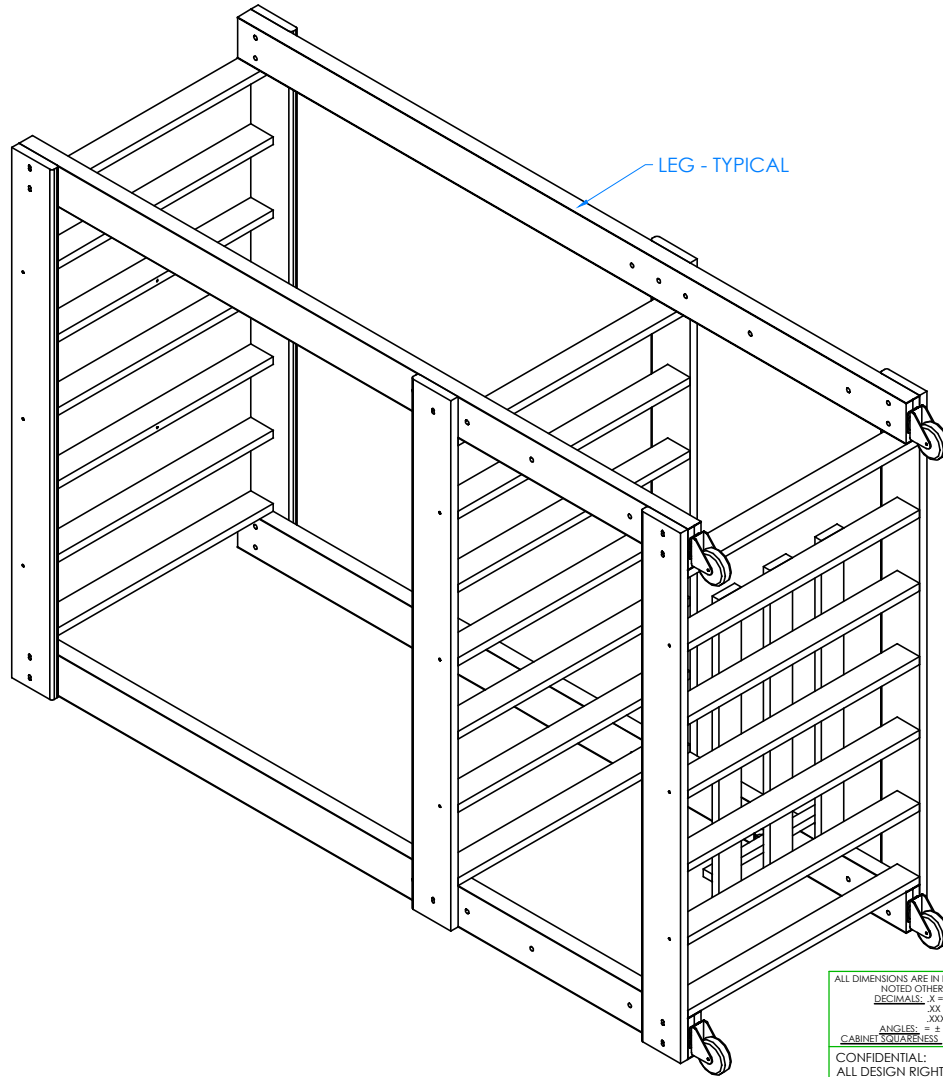


300 South Krueger Street  
 Suring, WI 54174  
 diversifiedwoodcrafts.com

TITLE:  
 HYDROPONICS GROWING CENTER  
 ASSEMBLY INSTRUCTIONS

REV.	DESCRIPTION	DATE	NAME	ECN NO.
A	CREATED ASSEMBLY INSTRUCTIONS	10/8/14	EMR	771
REVISION LEVEL				

DRAWING NUMBER:	SCALE:	SHEET:	REVISION:
HGC-52	NTS	5 OF 15	REV A



STEP 3:

- ATTACH OTHER TWO LEGS ON SIDE OF ASSEMBLIES.
- CABLE MANAGEMENT TRACK ALREADY INSTALLED ON BACK-RIGHT LEG

NOTE:

1.

ALL DIMENSIONS ARE IN INCHES UNLESS NOTED OTHERWISE	DWN BY:	EMR	DATE DWN:	10/8/14
DECIMALS: X = ± .020	APR BY:		DATE APR:	
XX = ± .020	APR BY:		DATE APR:	
XXX = ± .010	APR BY:		DATE APR:	
ANGLES: = ± 1°	APR BY:		DATE APR:	
CABINET SQUARENESS: = ± .0625	APR BY:		DATE APR:	

CONFIDENTIAL:  
 ALL DESIGN RIGHTS RESERVED  
 THE INFORMATION, DATA, DESIGN, AND DRAWINGS EMBODIED IN THIS DOCUMENT AND ALL REPRODUCTIONS THEREOF ARE THE EXCLUSIVE PROPERTY OF DIVERSIFIED WOODCRAFTS, INC.

THESE DOCUMENTS ARE SUPPLIED WITH THE UNDERSTANDING THAT THEY WILL NOT BE DISCLOSED TO THIRD PARTIES WITHOUT WRITTEN CONSENT OF DIVERSIFIED WOODCRAFTS, INC. ANY REPRODUCTION IN PART OR WHOLE WITHOUT WRITTEN CONSENT IS SUBJECT TO LEGAL ACTION.

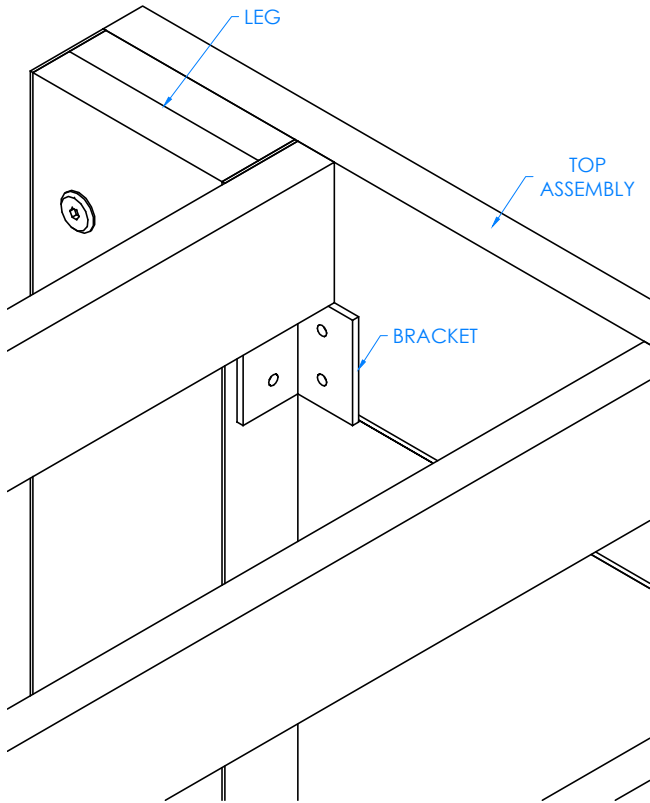


300 South Krueger Street  
 Suring, WI 54174  
 diversifiedwoodcrafts.com

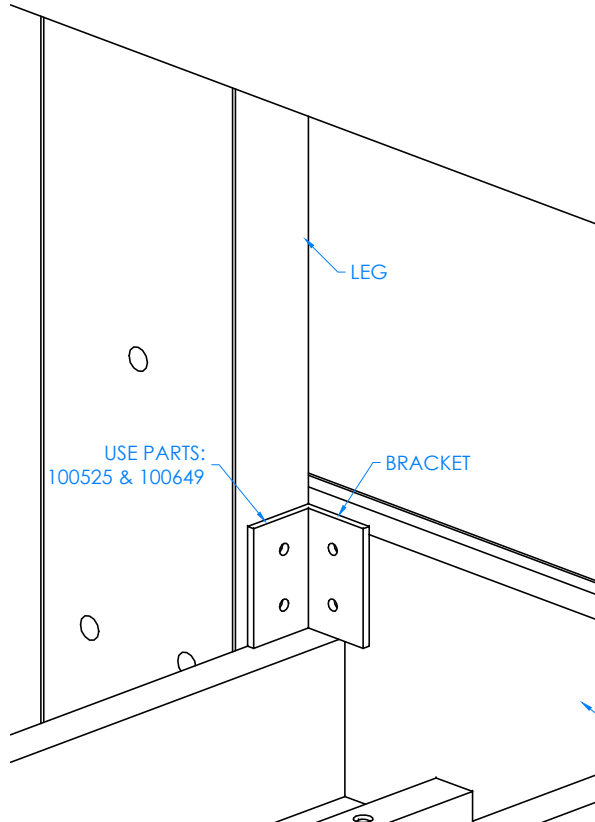
TITLE:  
 HYDROPONICS GROWING CENTER  
 ASSEMBLY INSTRUCTIONS

REV.	DESCRIPTION	DATE	NAME	ECN NO.
A	CREATED ASSEMBLY INSTRUCTIONS	10/8/14	EMR	771
REVISION LEVEL				

DRAWING NUMBER:	SCALE:	SHEET:	REVISION:
HGC-52	NTS	6 OF 15	REV A



CLOSE UP OF BRACKET ON TOP ASSEMBLY AND LEG SHOWN



CLOSE UP OF BRACKET ON BOTTOM ASSEMBLY AND LEG SHOWN

STEP 4:

- TIP UNIT UP ONTO CASTERS.
- STRAIGHTEN OUT UNIT BY PLACING A SQUARE ON LEG TO TOP ASSEMBLY AND ADJUST FRAME TO SQUARE.
- TIGHTEN UP ALL THE CONFIMATS.
- APPLY BRACKETS TO CORNERS OF BOTH TOP ASSEMBLY TO LEGS AND BOTTOM ASSEMBLY TO LEGS WITH HARDWARE PROVIDED(PARTS 100525 & 100649).
- DRILL  $\frac{1}{8}$ " PILOT HOLES INTO TOP & BOTTOM ASSEMBLIES TO AVOID SPLITTING.

NOTE:

1.

ALL DIMENSIONS ARE IN INCHES UNLESS NOTED OTHERWISE	DWN BY:	EMR	DATE DWN:	10/8/14
DECIMALS: $\frac{1}{16}$ = ± .030	APR BY:		DATE APR:	
XX = ± .020	APR BY:		DATE APR:	
.XXX = ± .010	APR BY:		DATE APR:	
ANGLES: = ± 1°	APR BY:		DATE APR:	
CABINET SQUARENESS: = ± .0625	APR BY:		DATE APR:	

CONFIDENTIAL:  
ALL DESIGN RIGHTS RESERVED  
THE INFORMATION, DATA, DESIGN, AND DRAWINGS EMBODIED IN THIS DOCUMENT AND ALL REPRODUCTIONS THEREOF ARE THE EXCLUSIVE PROPERTY OF DIVERSIFIED WOODCRAFTS, INC.

THESE DOCUMENTS ARE SUPPLIED WITH THE UNDERSTANDING THAT THEY WILL NOT BE DISCLOSED TO THIRD PARTIES WITHOUT WRITTEN CONSENT OF DIVERSIFIED WOODCRAFTS, INC. ANY REPRODUCTION IN PART OR WHOLE WITHOUT WRITTEN CONSENT IS SUBJECT TO LEGAL ACTION.



300 South Krueger Street  
Suring, WI 54174  
diversifiedwoodcrafts.com

TITLE:  
HYDROPONICS GROWING CENTER  
ASSEMBLY INSTRUCTIONS

REV.	DESCRIPTION	DATE	NAME	ECN NO.
A	CREATED ASSEMBLY INSTRUCTIONS	10/8/14	EMR	771

REVISION LEVEL

DRAWING NUMBER:

HGC-52

SCALE:

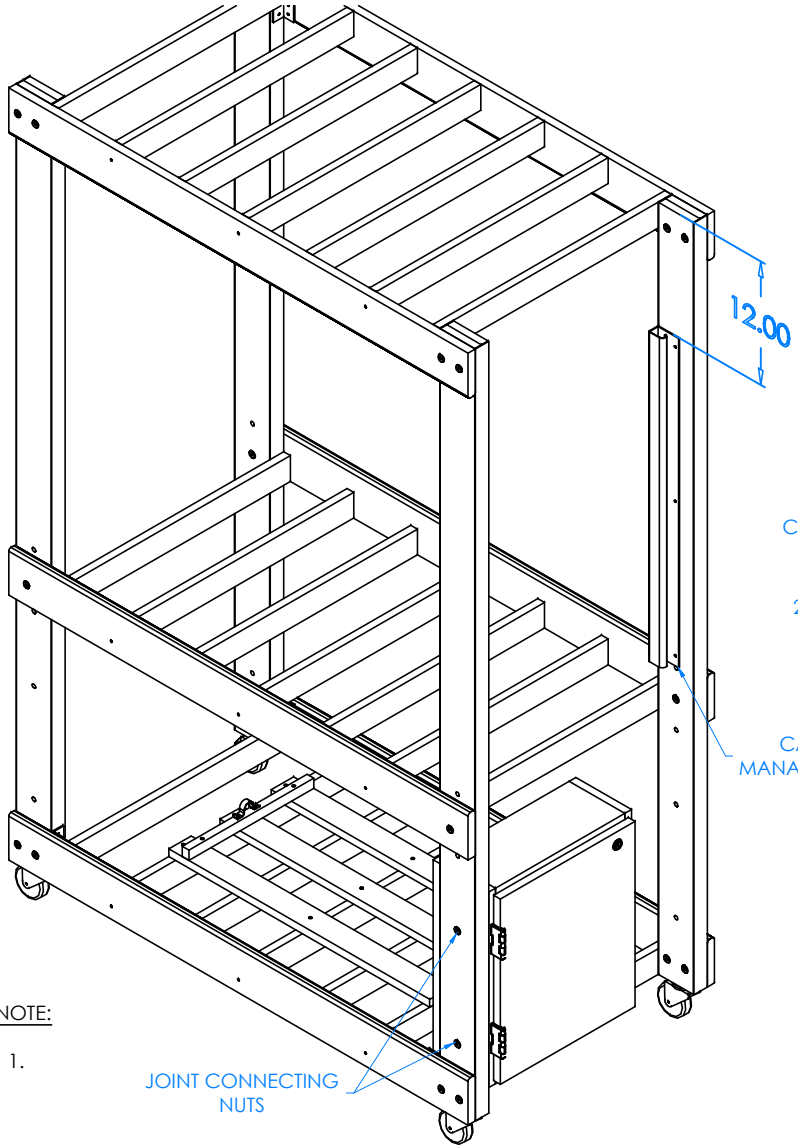
NTS

SHEET:

7 OF 15

REVISION:

REV A



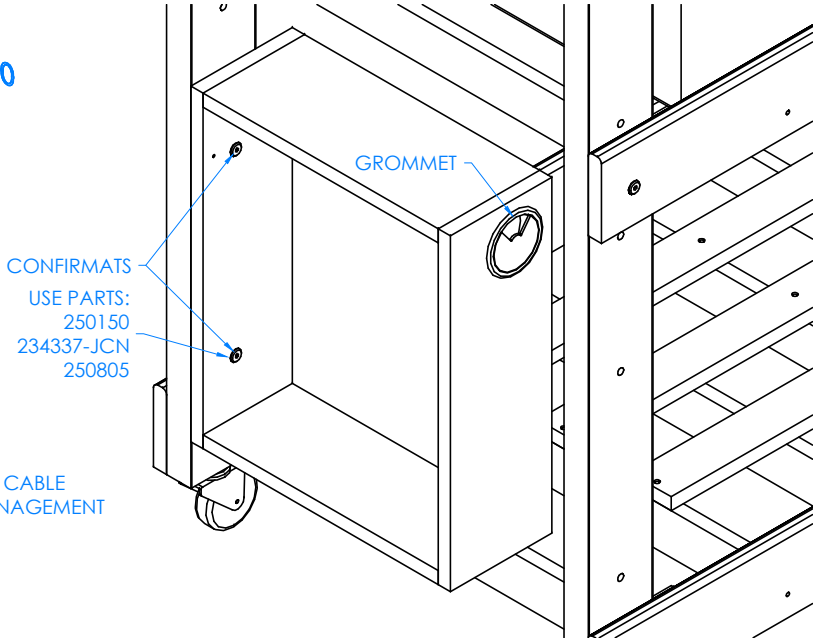
NOTE:

1.

JOINT CONNECTING NUTS

STEP 5:

- POSITION CABINET ON LEG, OPPOSITE OF CABLE MANAGEMENT TRACK, SO THE TWO HOLES ON LEG MATCH UP WITH HOLES ON THE CABINET.
- ATTACH CABINET TO LEG WITH CONFIRMATS AND CONNECTING NUTS PROVIDED (PARTS 250150, 234337-JCN & 250805).
- MOUNT THE CABLE MANAGEMENT FLUSH TO THE INSIDE EDGE OF THE LEG, 12" DOWN FROM THE TOP, USING THE 3 BLACK SCREWS PROVIDED.




INSIDE OF CABINET SHOWN WITHOUT DOOR  
(SEE IMAGE 1 FOR DETAILS ON TIMERS & AIR PUMP CONNECTIONS)

ALL DIMENSIONS ARE IN INCHES UNLESS NOTED OTHERWISE	DWN BY:	EMR	DATE DWN:	10/8/14
DECIMALS: X = ± .030	APR BY:		DATE APR:	
XX = ± .020	APR BY:		DATE APR:	
XXX = ± .010	APR BY:		DATE APR:	
ANGLES: = ± 1°	APR BY:		DATE APR:	
CABINET SQUARENESS: = ± .0625	APR BY:		DATE APR:	

CONFIDENTIAL:  
ALL DESIGN RIGHTS RESERVED  
THE INFORMATION, DATA, DESIGN, AND DRAWINGS EMBODIED IN THIS DOCUMENT AND ALL REPRODUCTIONS THEREOF ARE THE EXCLUSIVE PROPERTY OF DIVERSIFIED WOODCRAFTS, INC.

THESE DOCUMENTS ARE SUPPLIED WITH THE UNDERSTANDING THAT THEY WILL NOT BE DISCLOSED TO THIRD PARTIES WITHOUT WRITTEN CONSENT OF DIVERSIFIED WOODCRAFTS, INC. ANY REPRODUCTION IN PART OR WHOLE WITHOUT WRITTEN CONSENT IS SUBJECT TO LEGAL ACTION.



300 South Krueger Street  
Suring, WI 54174  
diversifiedwoodcrafts.com

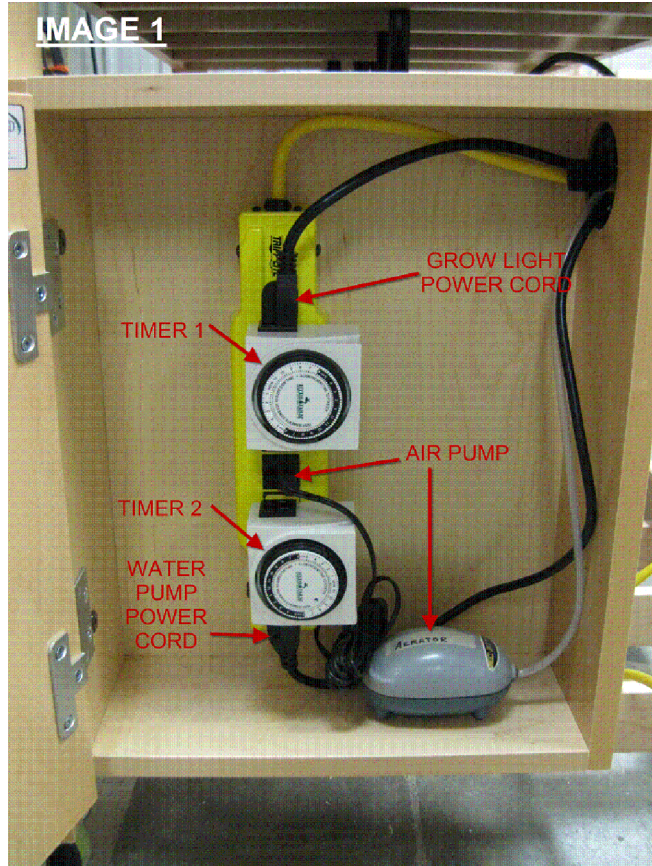
TITLE:  
HYDROPONICS GROWING CENTER  
ASSEMBLY INSTRUCTIONS

REV.	DESCRIPTION	DATE	NAME	ECN NO.
A	CREATED ASSEMBLY INSTRUCTIONS	10/8/14	EMR	771
REVISION LEVEL				

DRAWING NUMBER:	HGC-52	SCALE:	NTS	SHEET:	8 OF 15	REVISION:	REV A
-----------------	--------	--------	-----	--------	---------	-----------	-------



**IMAGE 1**



**STEP 6:**

- PLACE TIMERS AND AIR PUMP IN CORRECT LOCATIONS IN CABINET.
- LIGHT TIMER SHOULD BE ON TOP.
- PUMP TIMER SHOULD BE ON THE BOTTOM.
- AIR PUMP SHOULD BE IN MIDDLE OF POWER STRIP.

CLOSE UP OF INSIDE CABINET SHOWN

**NOTE:**

1.

ALL DIMENSIONS ARE IN INCHES UNLESS NOTED OTHERWISE		DWN BY:	EMR	DATE DWN:	10/8/14
DECIMALS: X = ± .030 XX = ± .020 XXX = ± .010		APR BY:		DATE APR:	
ANGLES: = ± 1°		APR BY:		DATE APR:	
CABINET SQUARENESS: = ± .0625					
<p>CONFIDENTIAL: ALL DESIGN RIGHTS RESERVED THE INFORMATION, DATA, DESIGN, AND DRAWINGS EMBODIED IN THIS DOCUMENT AND ALL REPRODUCTIONS THEREOF ARE THE EXCLUSIVE PROPERTY OF DIVERSIFIED WOODCRAFTS, INC.</p> <p>THESE DOCUMENTS ARE SUPPLIED WITH THE UNDERSTANDING THAT THEY WILL NOT BE DISCLOSED TO THIRD PARTIES WITHOUT WRITTEN CONSENT OF DIVERSIFIED WOODCRAFTS, INC. ANY REPRODUCTION IN PART OR WHOLE WITHOUT WRITTEN CONSENT IS SUBJECT TO LEGAL ACTION.</p>					

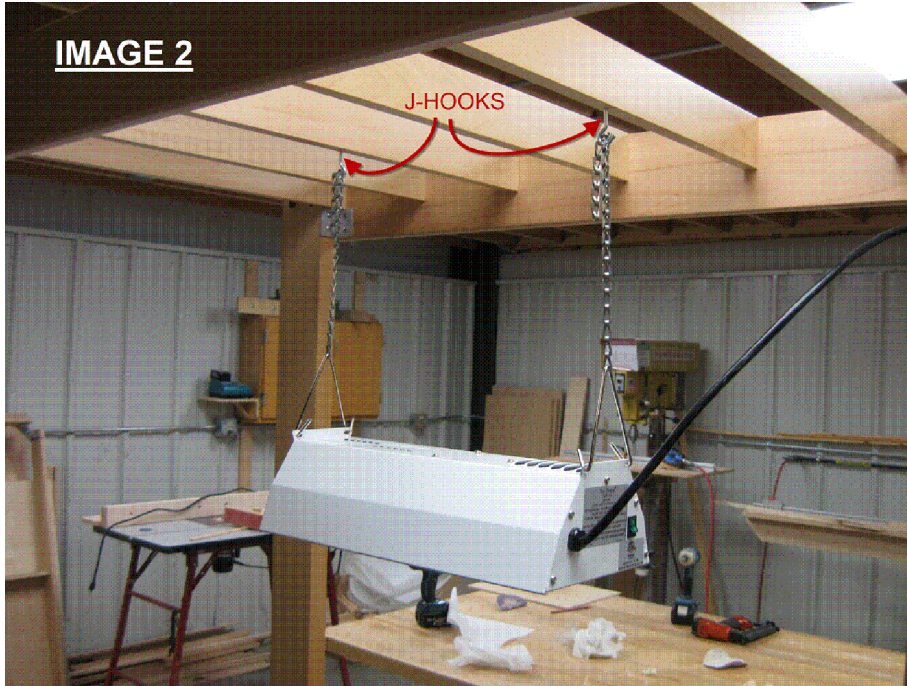
300 South Krueger Street  
Suring, WI 54174  
diversifiedwoodcrafts.com

**TITLE:**  
HYDROPONICS GROWING CENTER  
ASSEMBLY INSTRUCTIONS

<b>DRAWING NUMBER:</b> HGC-52	<b>SCALE:</b> NTS	<b>SHEET:</b> 9 OF 15	<b>REVISION:</b> REV A
----------------------------------	----------------------	--------------------------	---------------------------

REV.	DESCRIPTION	DATE	NAME	ECN NO.
A	CREATED ASSEMBLY INSTRUCTIONS	10/8/14	EMR	771
REVISION LEVEL				

**IMAGE 2**



**STEP 7:**

- INSTALL J-HOOKS INTO TOP ASSEMBLY.
- HANG GROW LIGHT FROM HOOKS USING SASH CHAIN.


**NOTE:**

1.

ALL DIMENSIONS ARE IN INCHES UNLESS NOTED OTHERWISE	DWN BY:	EMR	DATE DWN:	10/8/14
DECIMALS: X = ± .030 XX = ± .020 XXX = ± .010	APR BY:		DATE APR:	
ANGLES: = ± 1° CABINET SQUARENESS: = ± .0625	APR BY:		DATE APR:	

CONFIDENTIAL:  
ALL DESIGN RIGHTS RESERVED  
THE INFORMATION, DATA, DESIGN, AND DRAWINGS EMBODIED IN THIS DOCUMENT AND ALL REPRODUCTIONS THEREOF ARE THE EXCLUSIVE PROPERTY OF DIVERSIFIED WOODCRAFTS, INC.

THESE DOCUMENTS ARE SUPPLIED WITH THE UNDERSTANDING THAT THEY WILL NOT BE DISCLOSED TO THIRD PARTIES WITHOUT WRITTEN CONSENT OF DIVERSIFIED WOODCRAFTS, INC. ANY REPRODUCTION IN PART OR WHOLE WITHOUT WRITTEN CONSENT IS SUBJECT TO LEGAL ACTION.



300 South Krueger Street  
Suring, WI 54174  
diversifiedwoodcrafts.com

TITLE:  
**HYDROPONICS GROWING CENTER  
ASSEMBLY INSTRUCTIONS**

REV.	DESCRIPTION	DATE	NAME	ECN NO.
A	CREATED ASSEMBLY INSTRUCTIONS	10/8/14	EMR	771
REVISION LEVEL				

DRAWING NUMBER:	SCALE:	SHEET:	REVISION:
HGC-52	NTS	10 OF 15	REV A



**IMAGE 3**

**STEP 8:**

- ROUTE GROW LIGHT POWER CORD THROUGH CABLE MANAGEMENT TRACK AND INTO CONTROL CABINET.
- PLUG INTO THE TOP OF TIMER 1 (SEE IMAGE 1).

**NOTE:**

- 1.

ALL DIMENSIONS ARE IN INCHES UNLESS NOTED OTHERWISE DECIMALS: X = ± .030 XX = ± .020 XXX = ± .010 ANGLES: = ± 1° CABINET SQUARENESS = ± .0625	DWN BY: EMR	DATE DWN: 10/8/14
	APR BY:	DATE APR:
	APR BY:	DATE APR:

CONFIDENTIAL:  
ALL DESIGN RIGHTS RESERVED  
THE INFORMATION, DATA, DESIGN, AND DRAWINGS EMBODIED IN THIS DOCUMENT AND ALL REPRODUCTIONS THEREOF ARE THE EXCLUSIVE PROPERTY OF DIVERSIFIED WOODCRAFTS, INC.

THESE DOCUMENTS ARE SUPPLIED WITH THE UNDERSTANDING THAT THEY WILL NOT BE DISCLOSED TO THIRD PARTIES WITHOUT WRITTEN CONSENT OF DIVERSIFIED WOODCRAFTS, INC. ANY REPRODUCTION IN PART OR WHOLE WITHOUT WRITTEN CONSENT IS SUBJECT TO LEGAL ACTION.



300 South Krueger Street  
Suring, WI 54174  
diversifiedwoodcrafts.com

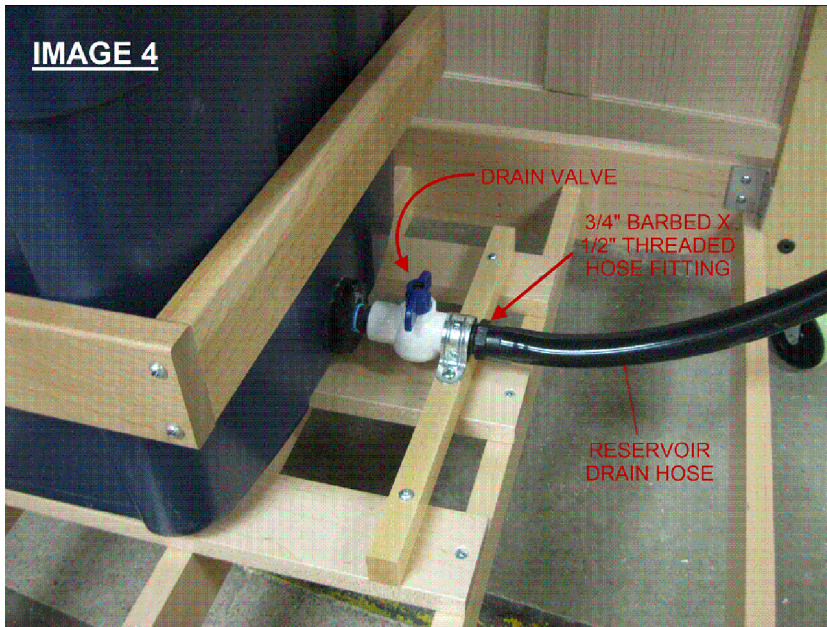
TITLE:  
**HYDROPONICS GROWING CENTER  
ASSEMBLY INSTRUCTIONS**

REV.	DESCRIPTION	DATE	NAME	ECN NO.
A	CREATED ASSEMBLY INSTRUCTIONS	10/8/14	EMR	771
REVISION LEVEL				

DRAWING NUMBER: <b>HGC-52</b>	SCALE: NTS	SHEET: 11 OF 15	REVISION: REV A
----------------------------------	---------------	--------------------	--------------------

STEP 9:

- PLACE RESERVOIR TANK ON BOTTOM RACK WITH THE DRAIN VALVE FACING THE CONDUIT STRAP.
- LOOSEN CONDUIT STRAP (IF NECESSARY) AND SLIDE THE DRAIN VALVE UNDER THE CLAMP AND ON TOP OF THE WOOD CLEAT.
- TIGHTEN SCREWS JUST ENOUGH TO HOLD VALVE IN PLACE. INSTALL 3/4" BARBED x 1/2" THREADED HOSE FITTING INTO THE END OF THE DRAIN VALVE.
- USE TEFLON PIPE TAPE TO INSURE NO LEAKS WHILE DRAINING WATER.
- CUT 18" OFF THE 3/4" DIAMETER HOSE AND SET ASIDE (SAVE FOR STEP 10).
- TAKE LONGER SECTION OF THE 3/4" DIAMETER DRAIN HOSE AND PUSH OVER BARBED END OF FITTING (SEE IMAGE 4).



**IMAGE 5**

NOTE:

1.

ALL DIMENSIONS ARE IN INCHES UNLESS NOTED OTHERWISE	DWN BY:	EMR	DATE DWN:	10/8/14
DECIMALS: $\frac{X}{1000}$ = ± .030	APR BY:		DATE APR:	
XX = ± .020	APR BY:		DATE APR:	
.XXX = ± .010	APR BY:		DATE APR:	
ANGLES: = ± 1°	APR BY:		DATE APR:	
CABINET SQUARENESS: = ± .0625	APR BY:		DATE APR:	

CONFIDENTIAL:  
ALL DESIGN RIGHTS RESERVED  
THE INFORMATION, DATA, DESIGN, AND DRAWINGS EMBODIED IN THIS DOCUMENT AND ALL REPRODUCTIONS THEREOF ARE THE EXCLUSIVE PROPERTY OF DIVERSIFIED WOODCRAFTS, INC.

THESE DOCUMENTS ARE SUPPLIED WITH THE UNDERSTANDING THAT THEY WILL NOT BE DISCLOSED TO THIRD PARTIES WITHOUT WRITTEN CONSENT OF DIVERSIFIED WOODCRAFTS, INC. ANY REPRODUCTION IN PART OR WHOLE WITHOUT WRITTEN CONSENT IS SUBJECT TO LEGAL ACTION.



300 South Krueger Street  
Suring, WI 54174  
diversifiedwoodcrafts.com

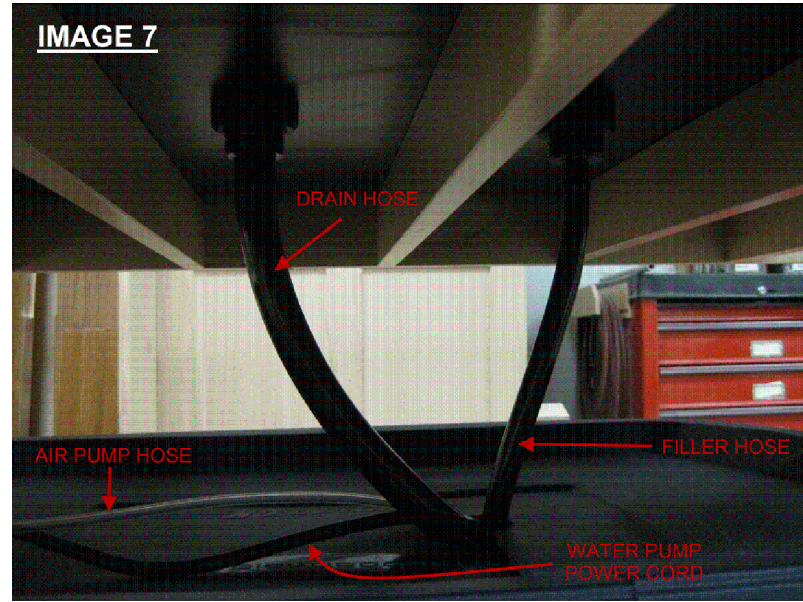
TITLE:  
HYDROPONICS GROWING CENTER  
ASSEMBLY INSTRUCTIONS

REV.	DESCRIPTION	DATE	NAME	ECN NO.
A	CREATED ASSEMBLY INSTRUCTIONS	10/8/14	EMR	771
REVISION LEVEL				

DRAWING NUMBER:	SCALE:	SHEET:	REVISION:
HGC-52	NTS	12 OF 15	REV A

STEP 10:

- PLACE WATER PUMP (SEE IMAGE 6) INTO THE BOTTOM OF THE RESERVOIR TANK, FEED THE 1/2" TUBING AND THE POWER CORD THROUGH THE CUT OUT IN THE RESERVOIR LID.
- WITH THE GROW TRAY ON THE MIDDLE SHELF ASSEMBLY, ATTACH THE 1/2" TUBING FROM THE PUMP, TO THE 1/2" BARBED FITTING ON THE BOTTOM OF THE GROW TRAY.
- TAKE THE 18" SECTION OF THE 3/4" DIAMETER TUBING AND ATTACH TO 3/4" BARBED FITTING, AND PLACE THE OTHER END INTO THE CUTOUT IN THE RESERVOIR LID (SEE IMAGE 7).
- AIR LINE FROM THE AIR PUMP (FROM IMAGE 1), CAN BE RAN OUT OF THE CABINET AND DOWN INTO THE RESERVOIR.
- POWER CORD FROM WATER PUMP CAN BE CONNECTED TO THE TIMER IN THE CONTROL CABINET (SEE IMAGE 1).



NOTE:

1.

ALL DIMENSIONS ARE IN INCHES UNLESS NOTED OTHERWISE DECIMALS: X = ± .030 XX = ± .020 XXX = ± .010 ANGLES: = ± 1° CABINET SQUARENESS: = ± .0625	DWN BY: EMR APR BY:	DATE DWN: 10/8/14 DATE APR:
---	------------------------	--------------------------------

CONFIDENTIAL:  
ALL DESIGN RIGHTS RESERVED  
THE INFORMATION, DATA, DESIGN, AND DRAWINGS EMBODIED IN THIS DOCUMENT AND ALL REPRODUCTIONS THEREOF ARE THE EXCLUSIVE PROPERTY OF DIVERSIFIED WOODCRAFTS, INC.

THESE DOCUMENTS ARE SUPPLIED WITH THE UNDERSTANDING THAT THEY WILL NOT BE DISCLOSED TO THIRD PARTIES WITHOUT WRITTEN CONSENT OF DIVERSIFIED WOODCRAFTS, INC. ANY REPRODUCTION IN PART OR WHOLE WITHOUT WRITTEN CONSENT IS SUBJECT TO LEGAL ACTION.

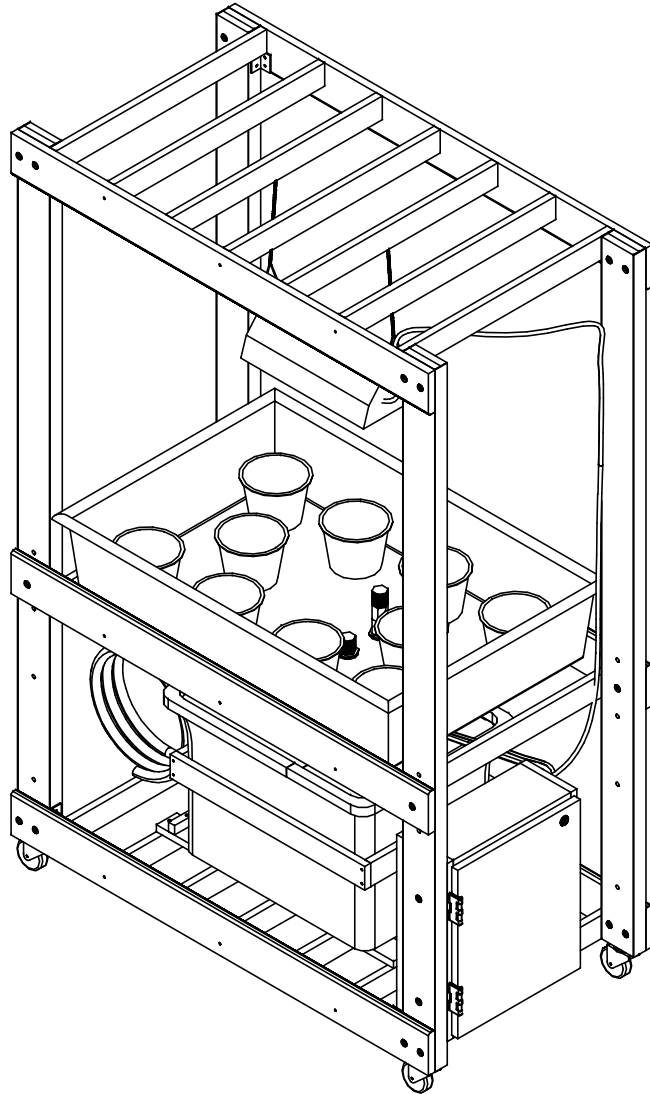


300 South Krueger Street  
Suring, WI 54174  
diversifiedwoodcrafts.com

TITLE:  
HYDROPONICS GROWING CENTER  
ASSEMBLY INSTRUCTIONS

REV.	DESCRIPTION	DATE	NAME	ECN NO.
A	CREATED ASSEMBLY INSTRUCTIONS	10/8/14	EMR	771
				REVISION LEVEL

DRAWING NUMBER: HGC-52	SCALE: NTS	SHEET: 13 OF 15	REVISION: REV A
---------------------------	---------------	--------------------	--------------------



STEP 11:

- ONCE ALL CONNECTIONS HAVE BEEN MADE IN THE CONTROL CABINET, SET YOUR TIMERS TO CONTROL YOUR LIGHT & WATER PUMP AS DESIRED.
- FILL RESERVOIR TO WITHIN 4 INCHES OF THE TOP AND REPLACE RESERVOIR LID.
- GFCI POWER STRIP CAN NOW BE PLUGGED INTO A WALL OUTLET.
- ADD GROW MEDIA TO THE NET POTS AND PLACE THEM INTO THE GROW TRAY.
- THE HGC-52 IS NOW READY FOR YOUR PLANTS!

NOTE:

1.

COMPLETE UNIT SHOWN

ALL DIMENSIONS ARE IN INCHES UNLESS NOTED OTHERWISE	DWN BY:	EMR	DATE DWN:	10/8/14
DECIMALS: X = ± .020 XX = ± .020 XXX = ± .010	APR BY:		DATE APR:	
ANGLES: = ± 1° CABINET SQUARENESS: = ± .0625	APR BY:		DATE APR:	

CONFIDENTIAL:  
ALL DESIGN RIGHTS RESERVED  
THE INFORMATION, DATA, DESIGN, AND DRAWINGS EMBODIED IN THIS DOCUMENT AND ALL REPRODUCTIONS THEREOF ARE THE EXCLUSIVE PROPERTY OF DIVERSIFIED WOODCRAFTS, INC.

THESE DOCUMENTS ARE SUPPLIED WITH THE UNDERSTANDING THAT THEY WILL NOT BE DISCLOSED TO THIRD PARTIES WITHOUT WRITTEN CONSENT OF DIVERSIFIED WOODCRAFTS, INC. ANY REPRODUCTION IN PART OR WHOLE WITHOUT WRITTEN CONSENT IS SUBJECT TO LEGAL ACTION.



300 South Krueger Street  
Suring, WI 54174  
diversifiedwoodcrafts.com

TITLE:  
HYDROPONICS GROWING CENTER  
ASSEMBLY INSTRUCTIONS

REV.	DESCRIPTION	DATE	NAME	ECN NO.
A	CREATED ASSEMBLY INSTRUCTIONS	10/8/14	EMR	771
REVISION LEVEL				

DRAWING NUMBER:	SCALE:	SHEET:	REVISION:
HGC-52	NTS	14 OF 15	REV A