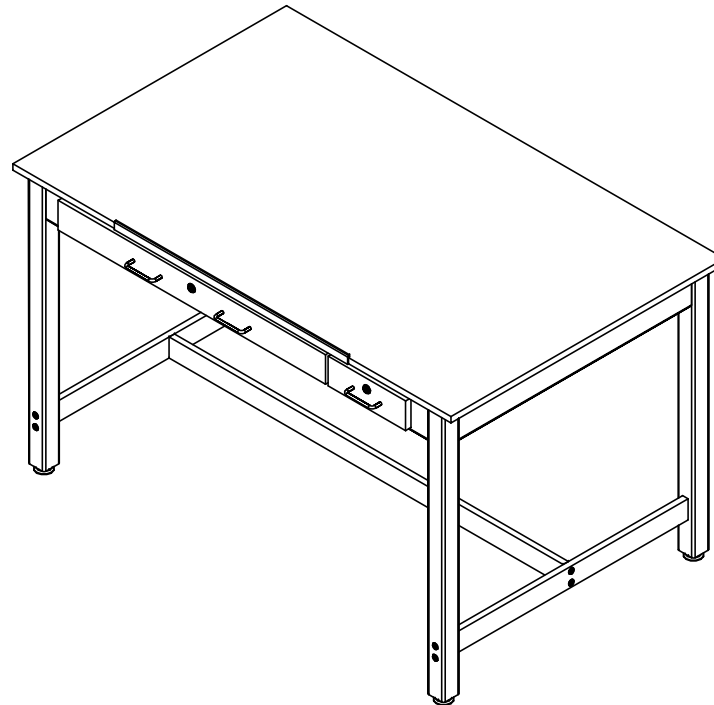


INSTRUCTOR DRAFTING TABLE

IDT-102 & IDT-103
ASSEMBLY INSTRUCTIONS



NOTE:

1. MODEL VIEWS MAY NOT REPRESENT EXACT MODEL PURCHASED

DWN BY:	EMK	DWN DATE:	10/26/15
APR BY:		DATE APR:	
APR BY:		DATE APR:	

UNLESS OTHERWISE SPECIFIED
DIMENSION ARE IN INCHES
CABINET SQUARENESS ± .0625
FRACTIONAL VALUES ± 1/32"
- ALL VALUES ± OVERALL -



300 South Krueger Street
Suring, WI 54174
diversifiedwoodcrafts.com

TITLE:
INSTRUCTOR DRAFTING TABLE
ASSEMBLY INSTRUCTIONS

A	DESCRIPTION	DATE	NAME	ECN NO.
	CREATED ASSEMBLY INSTRUCTIONS	10/26/15	EMK	-
REV.				

REVISION LEVEL

THIS DRAWING IS THE SOLE PROPERTY OF
DIVERSIFIED WOOD CRAFTS. IT MAY NOT
BE ALTERED OR CHANGED WITHOUT
PERMISSION

DRAWING NUMBER:

IDT-102 & IDT-103

SCALE:

NTS

SHEET:

1 OF 4

REVISION:

REV A

TOOLS REQUIRED

1/2" WRENCH
1/2" SOCKET AND TORQUE WRENCH - OPTIONAL
4MM ALLEN WRENCH

ASSEMBLY COMPONENTS

ITEMS INCLUDED	PART #	PART DESCRIPTION	QTY
TOP AND APRON ASSEMBLY	N/A	TOP ASSEMBLY (FACTORY ASSEMBLED)	1
LEGS	501101	LEG,MPL 2.25X2.25X34.25	4
LEG HARDWARE	520001-4	LEG HARDWARE KIT,4 LEGS	1
STRETCHER	N/A	STRETCHER - SIZE VARIES	1
LEG BRACE	N/A	LEG BRACE - 32.00" LONG	2
PENCIL LEDGE	14-0027	PENCIL LEDGE	1
SCREWS - PENCIL LEDGE	236263	SCREW,#6X3/4 TRUSS HEAD,QUAD,BLACK	5
CONFIRMATS - LEGS	227578	SCREW,7MMX90MM,CONN,ALLENHEAD, BLACK	8
CONFIRMATS - STRETCHER	228564	SCREW,7MMX50MM,CONN,ALLENHEAD, BLACK	4

NOTE:

1.

DWN BY:	EMK	DWN DATE:	10/26/15
APR BY:		DATE APR:	
APR BY:		DATE APR:	

UNLESS OTHERWISE SPECIFIED
DIMENSION ARE IN INCHES
CABINET SQUARENESS ± .0625
FRACTIONAL VALUES ± 1/32"
- ALL VALUES ± OVERALL -



300 South Krueger Street
Suring, WI 54174
diversifiedwoodcrafts.com

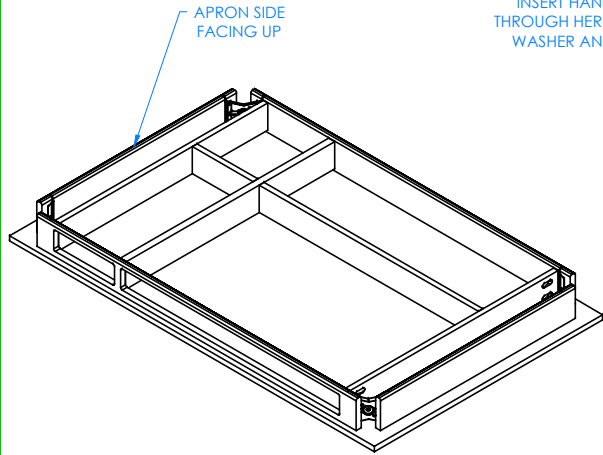
TITLE:
INSTRUCTOR DRAFTING TABLE
TOOLS AND ASSEMBLY COMPONENTS

REV.	DESCRIPTION	DATE	NAME	ECH NO.
A	CREATED ASSEMBLY INSTRUCTIONS	10/26/15	EMK	-

REVISION LEVEL

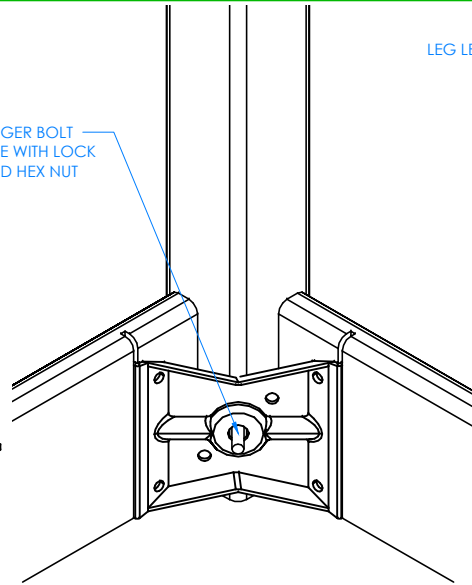
THIS DRAWING IS THE SOLE PROPERTY OF
DIVERSIFIED WOOD CRAFTS. IT MAY NOT
BE ALTERED OR CHANGED WITHOUT
PERMISSION

DRAWING NUMBER:	SCALE:	SHEET:	REVISION:
IDT-102 & IDT-103	NTS	2 OF 4	REV A



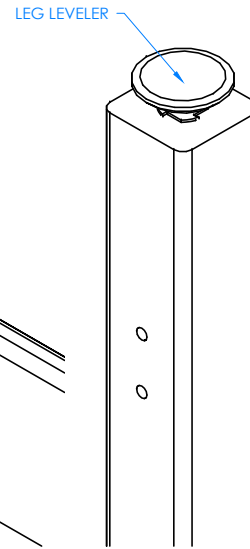
STEP 1:

LAY TOP ASSEMBLY ON FLOOR WITH APRON SIDE FACING UP. BE SURE TOP ASSEMBLY IS ON A CLEAN SURFACE TO PREVENT DAMAGE.



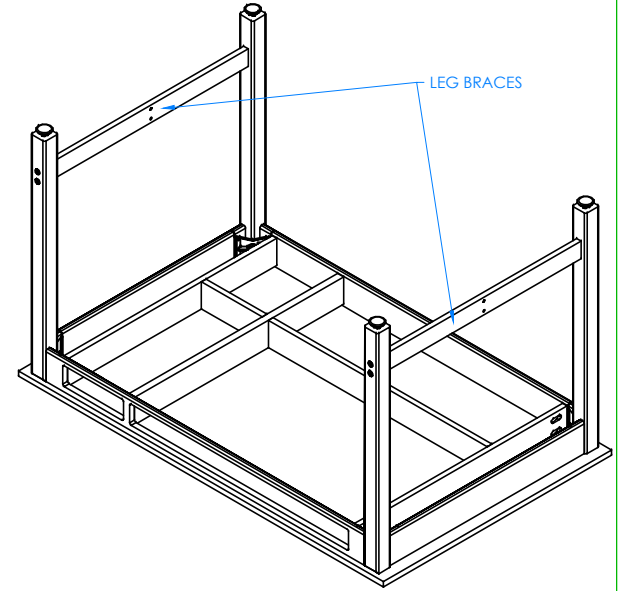
STEP 2:

INSERT HANGER BOLT ON ONE OF THE LEGS THROUGH THE CORNER BRACKET AND INSERT LOCK WASHER AND HEX NUT. USING A 1/2" WRENCH OR 1/2" SOCKET AND TORQUE WRENCH, SCREW ON THE NUT BUT DO NOT TIGHTEN ALL THE WAY. REPEAT FOR OTHER 3 LEGS.



STEP 3:

SCREW LEG LEVELERS INTO T-NUT ON BOTTOM OF THE LEGS.



STEP 4:

USING A 4MM WRENCH, INSERT THE CONFIRMATS INTO ONE OF THE LEGS AND SCREW INTO THE BRACE. REPEAT FOR THE OTHER 3 LEGS. MAKE SURE BRACES ARE STRAIGHT AND ALL CONFIRMATS ARE TIGHT.

NOTE:

1.

DWN BY:	EMK	DWN DATE:	10/26/15
APR BY:		DATE APR:	
APR BY:		DATE APR:	

UNLESS OTHERWISE SPECIFIED DIMENSION ARE IN INCHES
 CABINET SQUARENESS ± .0625
 FRACTIONAL VALUES ± 1/32"
 - ALL VALUES ± OVERALL -



300 South Krueger Street
 Suring, WI 54174
 diversifiedwoodcrafts.com

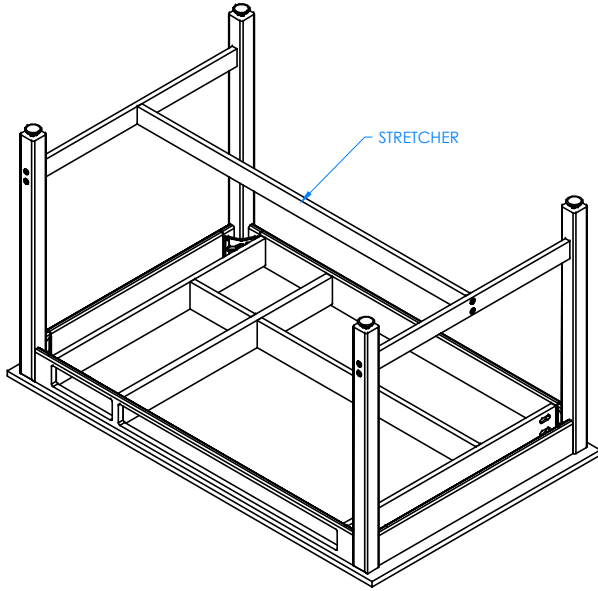
TITLE:
 INSTRUCTOR DRAFTING TABLE
 ASSEMBLY INSTRUCTIONS

A	CREATED ASSEMBLY INSTRUCTIONS	10/26/15	EMK	-
REV.	DESCRIPTION	DATE	NAME	ECH NO.

REVISION LEVEL

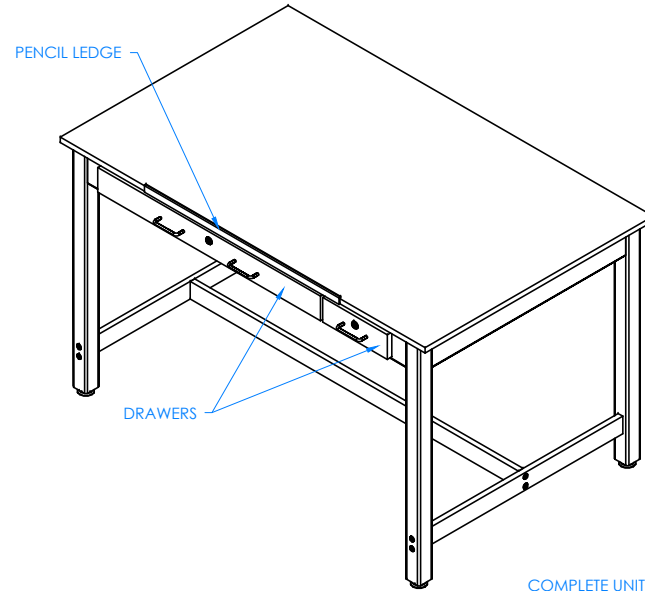
THIS DRAWING IS THE SOLE PROPERTY OF
 DIVERSIFIED WOOD CRAFTS. IT MAY NOT
 BE ALTERED OR CHANGED WITHOUT
 PERMISSION

DRAWING NUMBER:	SCALE:	SHEET:	REVISION:
IDT-102 & IDT-103	NTS	3 OF 4	REV A



STEP 5:

INSERT STRETCHER ONCE LEG BRACES ARE IN POSITION. ATTACH STRETCHER WITH THE CONFIRMATS PROVIDED. GO BACK TO STEP 2 AND TIGHTEN UP THE HANGER BOLT FOR EACH LEG USING A 1/2" WRENCH OR 1/2" SOCKET AND TORQUE WRENCH, TO A MINIMUM OF 12FT LBS BUT NOT TO EXCEED 17FT LBS.



STEP 6:

TURN TABLE OVER SO TOP IS UP. LINE UP PENCIL LEDGE ON SIDE OF TOP IN DESIRED LOCATION. SCREW PENCIL LEDGE TO TOP USING SCREWS PROVIDED. HOLES NEED TO BE PREDRILLED TO PREVENT TOP FROM SPLITTING. SET TABLE IN PLACE, ADJUST THE LEG LEVELERS TO LEVEL TABLE, AND PUT DRAWERS IN CORRECT LOCATIONS.

NOTE:

1.

DWN BY:	EMK	DWN DATE:	10/26/15
APR BY:		DATE APR:	
APR BY:		DATE APR:	

UNLESS OTHERWISE SPECIFIED DIMENSION ARE IN INCHES
 CABINET SQUARENESS ± .0625
 FRACTIONAL VALUES ± 1/32"
 - ALL VALUES ± OVERALL -



300 South Krueger Street
 Suring, WI 54174
 diversifiedwoodcrafts.com

TITLE:
 INSTRUCTOR DRAFTING TABLE
 ASSEMBLY INSTRUCTIONS

A	DESCRIPTION	DATE	NAME	ECH NO.
1	CREATED ASSEMBLY INSTRUCTIONS	10/26/15	EMK	-

THIS DRAWING IS THE SOLE PROPERTY OF
 DIVERSIFIED WOOD CRAFTS. IT MAY NOT
 BE ALTERED OR CHANGED WITHOUT
 PERMISSION

DRAWING NUMBER:	SCALE:	SHEET:	REVISION:
IDT-102 & IDT-103	NTS	4 OF 4	REV A