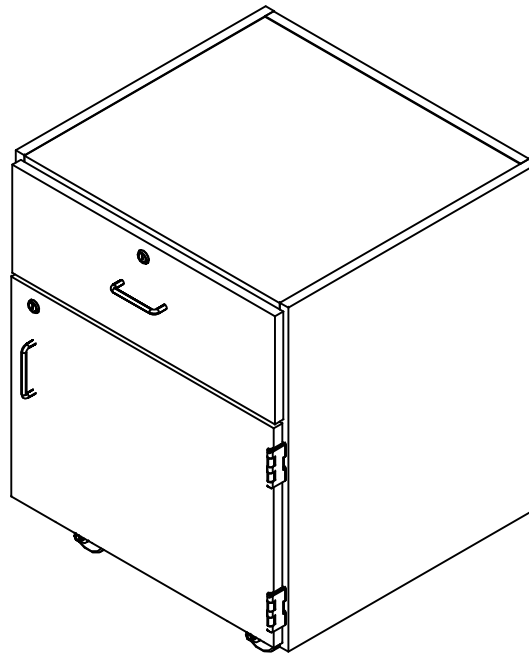


"M" SERIES CABINETS

M18, M19, M33, M40, M95, & M96 SERIES (OAK OR MAPLE)

ASSEMBLY INSTRUCTIONS



NOTE:

1. MODEL VIEWS MAY NOT REPRESENT EXACT MODEL PURCHASED

DWN BY:	EMK	DWN DATE:	12/19/14
APR BY:		DATE APR:	
APR BY:		DATE APR:	

UNLESS OTHERWISE SPECIFIED
DIMENSION ARE IN INCHES
CABINET SQUARENESS ± .0625
FRACTIONAL VALUES ± 1/32"
- ALL VALUES ± OVERALL -



300 South Krueger Street
Suring, WI 54174
diversifiedwoodcrafts.com

TITLE:
"M" SERIES CABINETS
ASSEMBLY INSTRUCTIONS

REV.	DESCRIPTION	DATE	NAME	ECN NO.
A	CREATED ASSEMBLY INSTRUCTIONS	12/19/14	EMK	-

THIS DRAWING IS THE SOLE PROPERTY OF
DIVERSIFIED WOOD CRAFTS. IT MAY NOT
BE ALTERED OR CHANGED WITHOUT
PERMISSION

DRAWING NUMBER:	SCALE:	SHEET:	REVISION:
"M" SERIES CABINETS	NTS	1 OF 3	REV A

TOOLS REQUIRED

SCREW DRIVER

7/16" WRENCH

ASSEMBLY COMPONENTS

ITEMS INCLUDED	PART #	PART DESCRIPTION	QTY
CABINET ASSEMBLY	N/A	CABINET ASSEMBLY (FACTORY ASSEMBLED)	1
CASTERS	222033	CASTERS, 3 POLY. SWIVEL PLATE, W/ BRAKE	4
CASTER HARDWARE KIT	206509	CASTER, ASSY, HDWRE, 16-SCREWS, 16-NUTS	1

NOTE:

1.

DWN BY:	EMK	DWN DATE:	12/19/14
APR BY:		DATE APR:	
APR BY:		DATE APR:	

UNLESS OTHERWISE SPECIFIED
DIMENSION ARE IN INCHES
CABINET SQUARENESS ± .0625
FRACTIONAL VALUES ± 1/32"
- ALL VALUES ± OVERALL -



300 South Krueger Street
Suring, WI 54174
diversifiedwoodcrafts.com

TITLE:
"M" SERIES CABINETS
TOOLS AND ASSEMBLY COMPONENTS

REV.	DESCRIPTION	DATE	NAME	ECN NO.
A	CREATED ASSEMBLY INSTRUCTIONS	12/19/14	EMK	-

REVISION LEVEL

THIS DRAWING IS THE SOLE PROPERTY OF
DIVERSIFIED WOOD CRAFTS. IT MAY NOT
BE ALTERED OR CHANGED WITHOUT
PERMISSION

DRAWING NUMBER:

"M" SERIES CABINETS

SCALE:

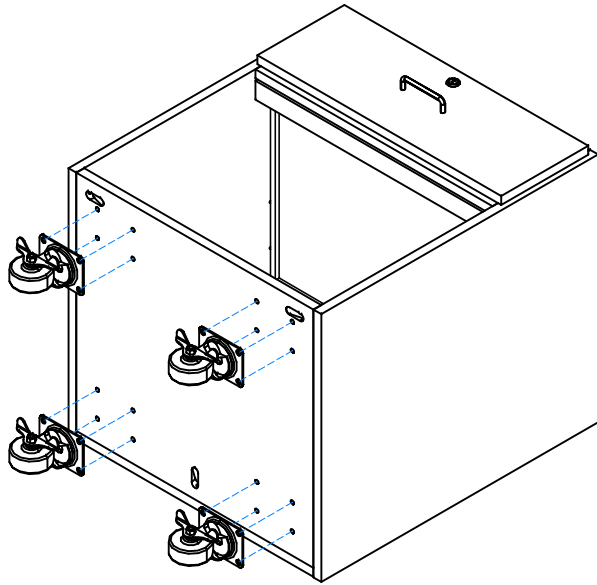
NTS

SHEET:

2 OF 3

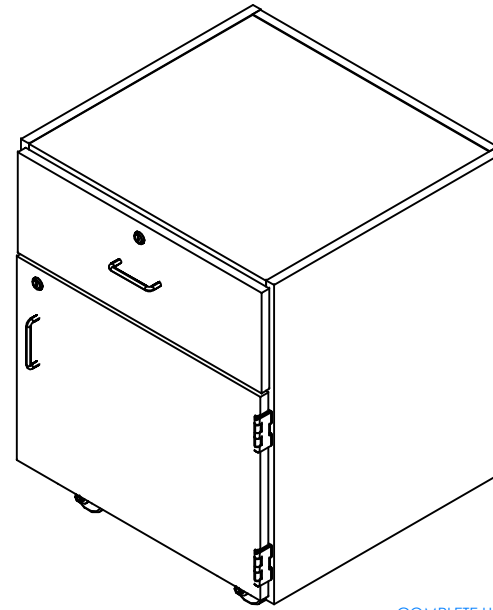
REVISION:

REV A



DOOR REMOVED TO SHOW CLARITY

STEP 1:
LAY CABINET ON BACK. ATTACH CASTERS FROM INSIDE OF THE CABINET WITH THE HARDWARE PROVIDED.



COMPLETE UNIT SHOWN

STEP 2:
TIP CABINET UP. PLACE IN DESIRED LOCATION.

NOTE:

- 1.

DWN BY:	EMK	DWN DATE:	12/19/14
APR BY:		DATE APR:	
APR BY:		DATE APR:	

UNLESS OTHERWISE SPECIFIED
DIMENSION ARE IN INCHES
CABINET SQUARENESS ± .0625
FRACTIONAL VALUES ± 1/32"
- ALL VALUES ± OVERALL -



300 South Krueger Street
Suring, WI 54174
diversifiedwoodcrafts.com

TITLE:
"M" SERIES CABINETS
ASSEMBLY INSTRUCTIONS

REV.	DESCRIPTION	DATE	NAME	ECH NO.
A	CREATED ASSEMBLY INSTRUCTIONS	12/19/14	EMK	-
REVISION LEVEL				

THIS DRAWING IS THE SOLE PROPERTY OF
DIVERSIFIED WOOD CRAFTS. IT MAY NOT
BE ALTERED OR CHANGED WITHOUT
PERMISSION

DRAWING NUMBER:	SCALE:	SHEET:	REVISION:
"M" SERIES CABINETS	NTS	3 OF 3	REV A