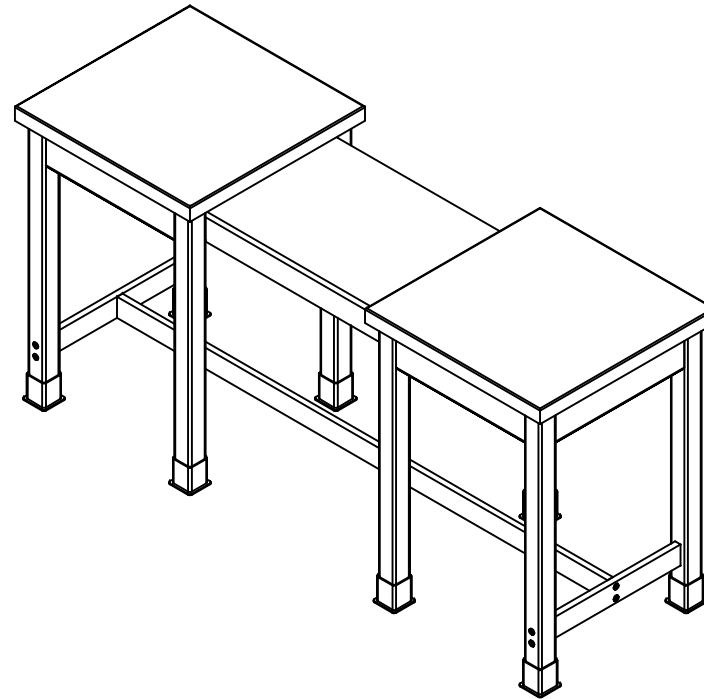


MITRE BOX BENCH

MBB-7224

ASSEMBLY INSTRUCTIONS



NOTE:

1. MODEL VIEWS MAY NOT REPRESENT EXACT MODEL PURCHASED

DWN BY:	EMK	DWN DATE:	12/22/14
APR BY:		DATE APR:	
APR BY:		DATE APR:	

UNLESS OTHERWISE SPECIFIED
DIMENSION ARE IN INCHES
CABINET SQUARENESS ± .0625
FRACTIONAL VALUES ± 1/32"
- ALL VALUES ± OVERALL -



300 South Krueger Street
Suring, WI 54174
diversifiedwoodcrafts.com

TITLE:
MITRE BOX BENCH
ASSEMBLY INSTRUCTIONS

REV.	DESCRIPTION	DATE	NAME	ECH NO.
A	CREATED ASSEMBLY INSTRUCTIONS	12/22/14	EMK	-
REVISION LEVEL				

THIS DRAWING IS THE SOLE PROPERTY OF
DIVERSIFIED WOOD CRAFTS. IT MAY NOT
BE ALTERED OR CHANGED WITHOUT
PERMISSION

DRAWING NUMBER:

MBB-7224

SCALE:	SHEET:	REVISION:
NTS	1 OF 4	REV A

TOOLS REQUIRED

1/2" WRENCH
1/2" SOCKET AND TORQUE WRENCH - OPTIONAL
4MM ALLEN WRENCH

ASSEMBLY COMPONENTS

ITEMS INCLUDED	PART #	PART DESCRIPTION	QTY
TOP AND APRON ASSEMBLIES	N/A	TOP ASSEMBLIES (FACTORY ASSEMBLED)	3
LEGS	501103	LEG,MPL 2.25X2.25X32.25	8
LEG HARDWARE	520001-4	LEG HARDWARE KIT, 4 LEGS	2
LEG BOOTS	100076	LEG BOOT, BLK RUBBER	8
LEG BRACE	N/A	LEG BRACE - 17.75" LONG	2
STRETCHER	N/A	STRETCHER - 67.25" LONG	1
CONFIRMATS - LEGS	227578	SCREW,7MMX90MM,CONN,ALLENHEAD, BLACK	8
CONFIRMATS - STRETCHER	228564	SCREW,7MMX50MM,CONN,ALLENHEAD, BLACK	4
BOLT - CENTER ASSEMBLY	235706	BOLT, 3/8 -16 X 2 1/2 HEX HEAD	6
NUT - CENTER ASSEMBLY	100621	NUT, 3/8 -16 HEX ZINC	6
WASHER - CENTER ASSEMBLY	100451	WASHER, 5/16 FLAT ZINC PLATED	12

NOTE:

1.

DWN BY:	EMK	DWN DATE:	12/22/14
APR BY:		DATE APR:	
APR BY:		DATE APR:	

UNLESS OTHERWISE SPECIFIED
DIMENSION ARE IN INCHES
CABINET SQUARENESS ± .0625
FRACTIONAL VALUES ± 1/32"
- ALL VALUES ± OVERALL -



300 South Krueger Street
Suring, WI 54174
diversifiedwoodcrafts.com

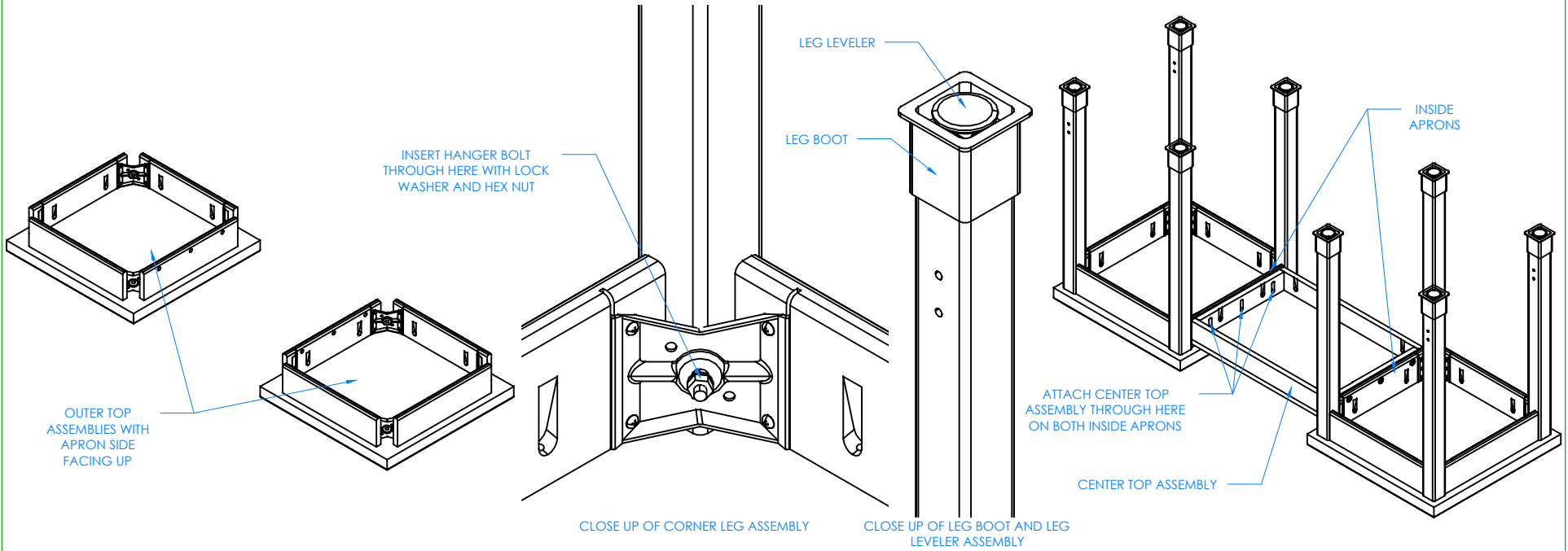
TITLE:
MITRE BOX BENCH
TOOLS AND ASSEMBLY COMPONENTS

REV.	DESCRIPTION	DATE	NAME	ECH NO.
A	CREATED ASSEMBLY INSTRUCTIONS	12/22/14	EMK	-

REVISION LEVEL

THIS DRAWING IS THE SOLE PROPERTY OF
DIVERSIFIED WOOD CRAFTS. IT MAY NOT
BE ALTERED OR CHANGED WITHOUT
PERMISSION

DRAWING NUMBER:	SCALE:	SHEET:	REVISION:
MBB-7224	NTS	2 OF 4	REV A



STEP 1:

LAY THE TWO OUTER TOP ASSEMBLIES ON THE FLOOR WITH APRON SIDE FACING UP. BE SURE TOP ASSEMBLIES ARE ON A CLEAN SURFACE TO PREVENT DAMAGE.

STEP 2:

INSERT HANGER BOLT ON ONE OF THE LEGS THROUGH THE CORNER BRACKET AND INSERT LOCK WASHER AND HEX NUT. USING A 1/2" WRENCH OR 1/2" SOCKET AND TORQUE WRENCH, SCREW ON THE NUT BUT DO NOT TIGHTEN ALL THE WAY. REPEAT FOR THE OTHER LEGS.

STEP 3:

SLIDE LEG BOOTS ONTO THE LEGS WITH FLARED END TOWARD THE BOTTOM OF LEG. SCREW LEG LEVELERS INTO T-NUT ON BOTTOM OF LEGS.

STEP 4:

ALIGN THE THREE HOLES ON EACH INSIDE APRON TO THE HOLES ON THE CENTER TOP ASSEMBLY. ATTACH TOGETHER WITH THE HARDWARE PROVIDED.

NOTE:

1.

DWN BY:	EMK	DWN DATE:	12/22/14
APR BY:		DATE APR:	
APR BY:		DATE APR:	

UNLESS OTHERWISE SPECIFIED
DIMENSION ARE IN INCHES
CABINET SQUARENESS ± .0625
FRACTIONAL VALUES ± 1/32"
- ALL VALUES ± OVERALL -



300 South Krueger Street
Suring, WI 54174
diversifiedwoodcrafts.com

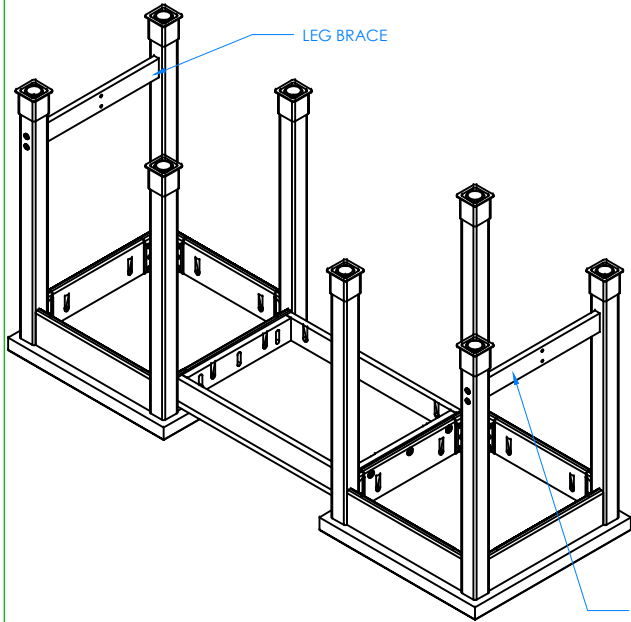
TITLE:
MITRE BOX BENCH
ASSEMBLY INSTRUCTIONS

A	DESCRIPTION	DATE	NAME	ECH NO.
	CREATED ASSEMBLY INSTRUCTIONS	12/22/14	EMK	-
REV.				

THIS DRAWING IS THE SOLE PROPERTY OF
DIVERSIFIED WOOD CRAFTS. IT MAY NOT
BE ALTERED OR CHANGED WITHOUT
PERMISSION

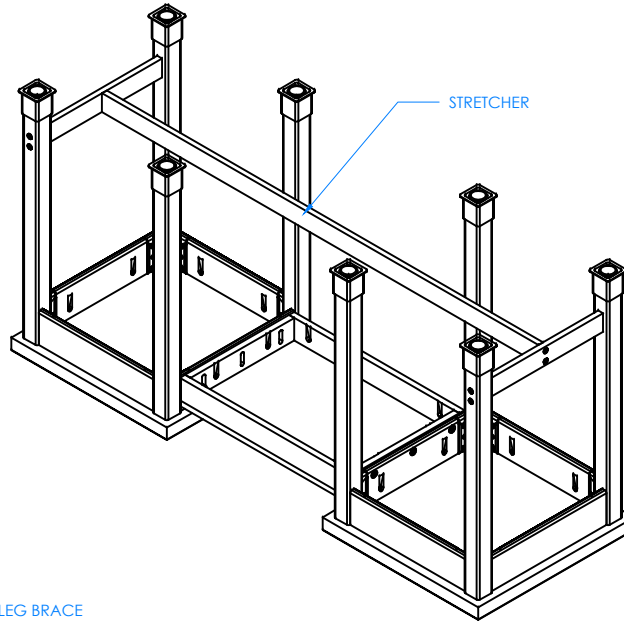
DRAWING NUMBER:
MBB-7224

SCALE:	SHEET:	REVISION:
NTS	3 OF 4	REV A



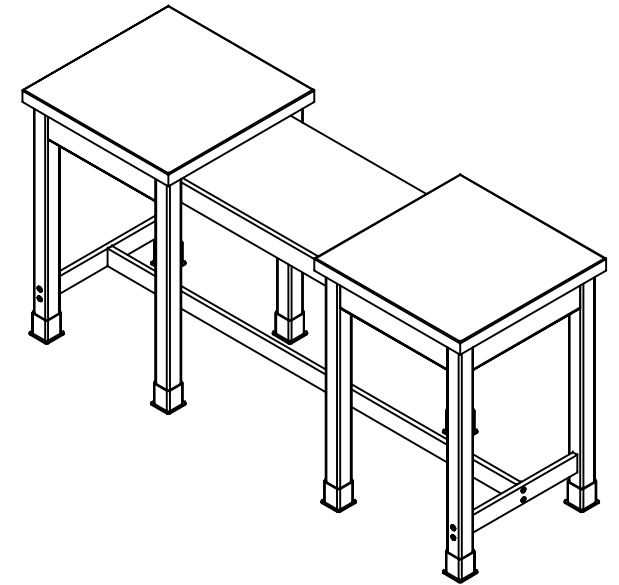
STEP 5:

USING A 4MM ALLEN WRENCH, INSERT THE CONFIRMATS INTO ONE LEG AND SCREW INTO THE BRACE. REPEAT FOR THE OTHER LEG BRACE. MAKE SURE BRACES ARE STRAIGHT AND ALL CONFIRMATS ARE TIGHT.



STEP 6:

INSERT STRETCHER ONCE LEG BRACES ARE IN POSITION. ATTACH STRETCHER USING THE CONFIRMATS PROVIDED. GO BACK TO STEP 2 AND TIGHTEN UP THE HANGER BOLTS FOR EACH LEG USING A 1/2" WRENCH OR 1/2" SOCKET AND TORQUE WRENCH, TO A MINIMUM OF 12FT LBS BUT NOT TO EXCEED 17FT LBS.



COMPLETE UNIT SHOWN

STEP 7:

TURN TABLE OVER SO TOP IS UP. SET YOUR TABLE IN PLACE AND ADJUST THE LEG LEVELERS TO LEVEL THE TABLE. SLIDE LEG BOOTS DOWN TO THE FLOOR.

NOTE:

- 1.

DWN BY:	EMK	DWN DATE:	12/22/14
APR BY:		DATE APR:	
APR BY:		DATE APR:	

UNLESS OTHERWISE SPECIFIED
DIMENSION ARE IN INCHES
CABINET SQUARENESS ± .0625
FRACTIONAL VALUES ± 1/32"
- ALL VALUES ± OVERALL -



300 South Krueger Street
Suring, WI 54174
diversifiedwoodcrafts.com

TITLE:
MITRE BOX BENCH
ASSEMBLY INSTRUCTIONS

REV.	DESCRIPTION	DATE	NAME	ECH NO.
A	CREATED ASSEMBLY INSTRUCTIONS	12/22/14	EMK	-
REVISION LEVEL				

THIS DRAWING IS THE SOLE PROPERTY OF
DIVERSIFIED WOOD CRAFTS. IT MAY NOT
BE ALTERED OR CHANGED WITHOUT
PERMISSION

DRAWING NUMBER:

MBB-7224

SCALE:	SHEET:	REVISION:
NTS	4 OF 4	REV A