

NOTE:

- PART # SHOWN IS FOR MAPLE CONSTRUCTION. FOR OAK, ADD SUFFIX "K". e.g. OS-1420K

DWN BY:	JCF	DWN DATE:	2/26/13
APR BY:		DATE APR:	
APR BY:		DATE APR:	



300 South Krueger Street
Suring, WI 54174
diversifiedwoodcrafts.com

UNLESS OTHERWISE SPECIFIED
DIMENSION ARE IN INCHES
DECIMALS: .X = ± .030
.XX = ± .020
.XXX = ± .010
ANGLES: ± 1°
CABINET SQUARENESS ± .0625

THIS DRAWING IS THE SOLE PROPERTY OF
DIVERSIFIED WOOD CRAFTS. IT MAY NOT
BE ALTERED OR CHANGED WITHOUT
PERMISSION

TITLE:
TALL OPEN SHELF STORAGE - 84"H x 48"W x 16"D
FULL ASSEMBLY

REV.	DESCRIPTION	DATE	NAME	ECN NO.
B	UPDATED SHELF DEPTH, CLIP HOLE LOCATIONS & QUANTITIES	8/10/16	JCF	N/A
A	CREATED DRAWING	2/26/13	JCF	-
REVISION LEVEL				

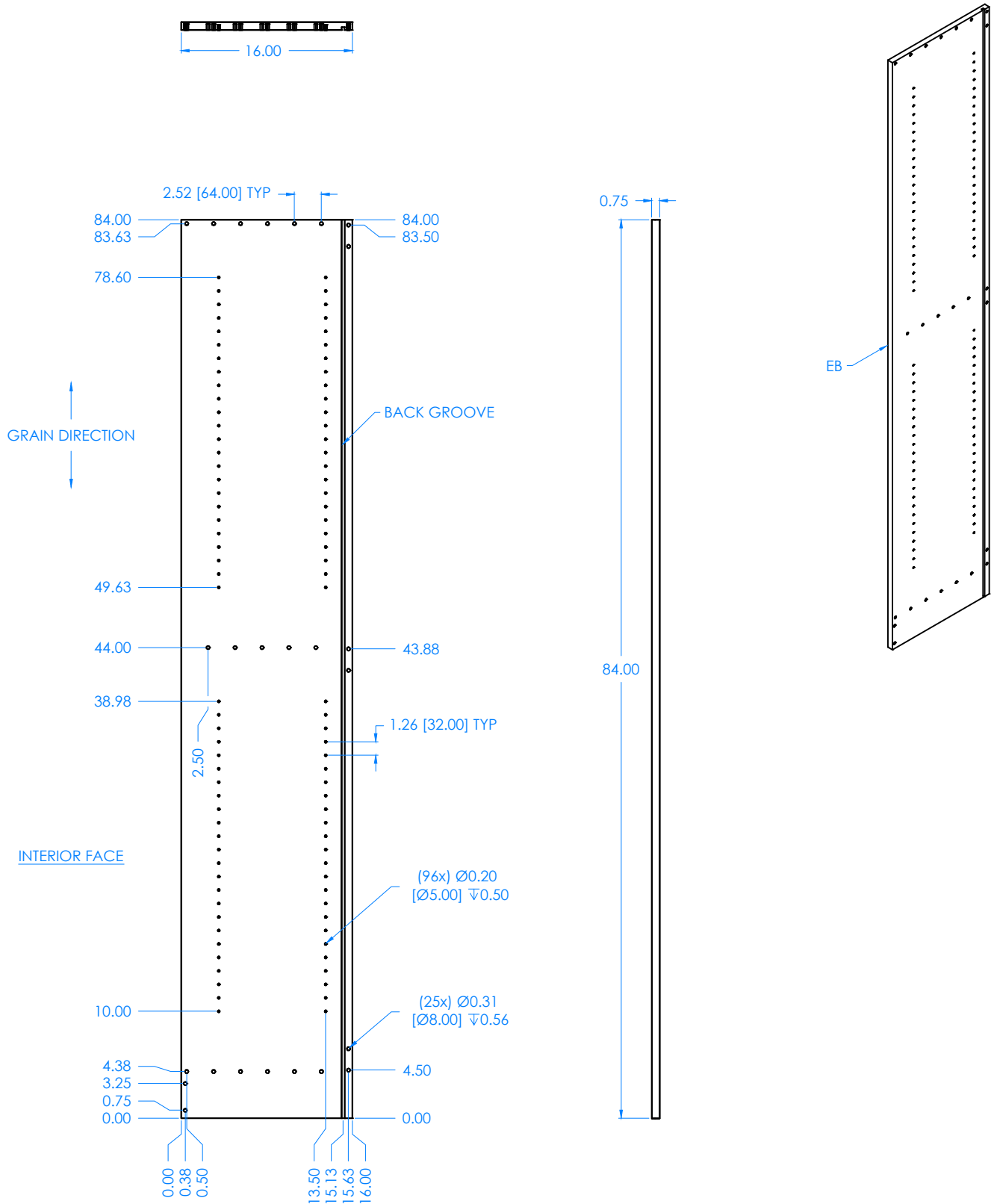
DRAWING NUMBER:

OS-1420

SCALE:
NTS

SHEET:
1 OF 9

REVISION:
REV B



NOTE:

1. QTY (2) PER UNIT - (1) LEFT, (1) RIGHT.
2. LEFT SIDE SHOWN, MIRROR FOR RIGHT.

DWN BY:	JCF	DWN DATE:	2/26/13
APR BY:		DATE APR:	
APR BY:		DATE APR:	



300 South Krueger Street
Suring, WI 54174
diversifiedwoodcrafts.com

UNLESS OTHERWISE SPECIFIED
DIMENSIONS ARE IN INCHES
DECIMALS: .X = ± .030
.XX = ± .020
.XXX = ± .010
ANGLES: ± 1°
CABINET SQUARENESS ± .0625

THIS DRAWING IS THE SOLE PROPERTY OF
DIVERSIFIED WOOD CRAFTS. IT MAY NOT
BE ALTERED OR CHANGED WITHOUT
PERMISSION

TITLE: SIDE - 0.75"THK x 16.00"W x 84.00"L

REV.	DESCRIPTION	DATE	NAME	ECN NO.
B	UPDATED SHELF DEPTH, CLIP HOLE LOCATIONS & QUANTITIES	8/10/16	JCF	N/A
A	CREATED DRAWING	2/26/13	JCF	-
REVISION LEVEL				

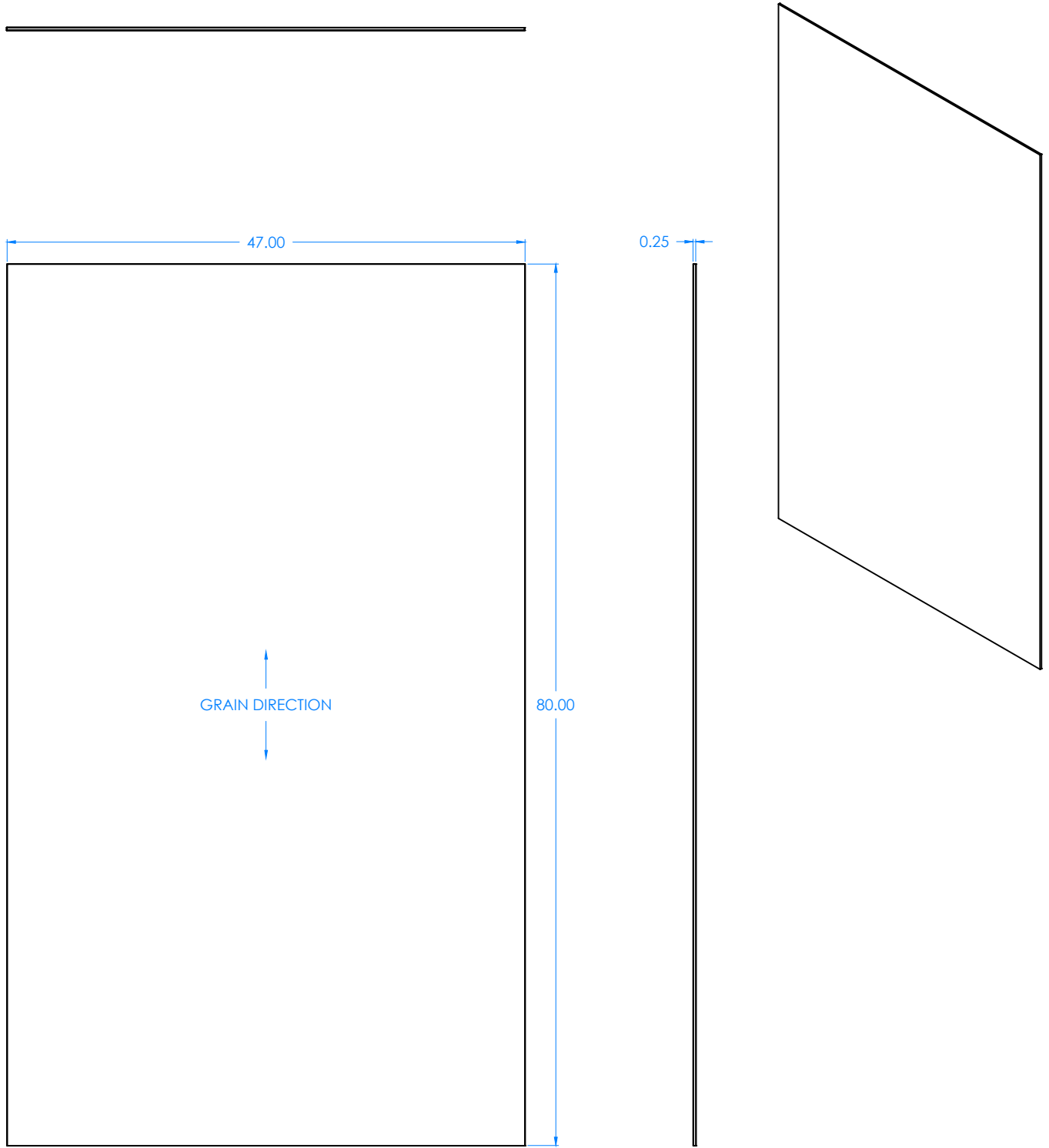
DRAWING NUMBER:

OS-1420

SCALE: NTS

SHEET: 2 OF 9

REVISION: REV B



NOTE:

1.

DWN BY:	JCF	DWN DATE:	2/26/13
APR BY:		DATE APR:	
APR BY:		DATE APR:	



300 South Krueger Street
Suring, WI 54174
diversifiedwoodcrafts.com

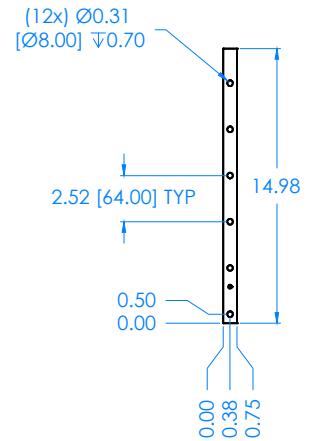
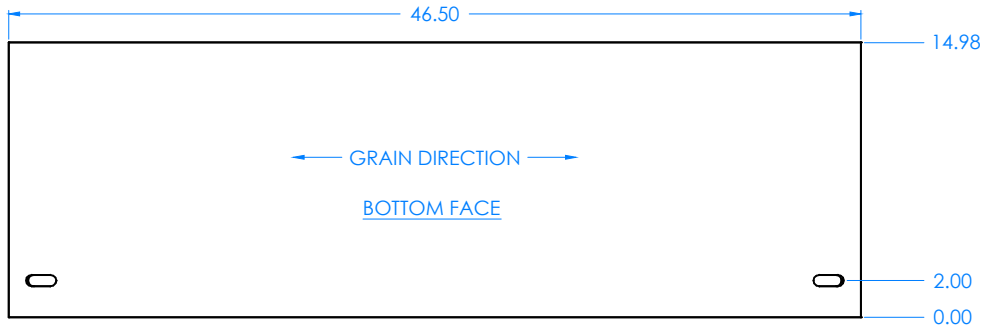
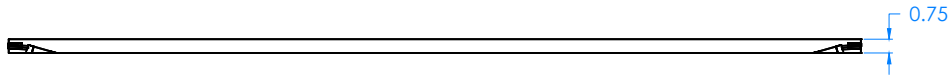
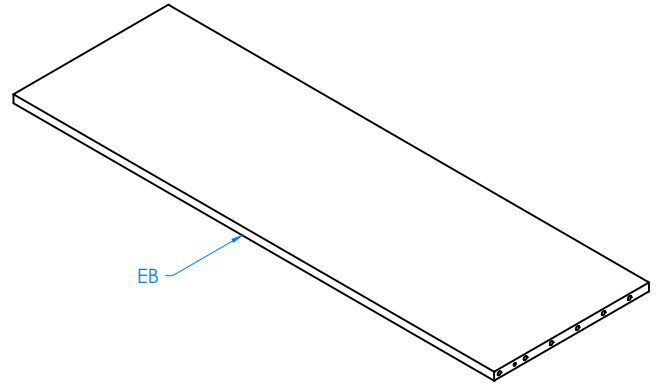
UNLESS OTHERWISE SPECIFIED
DIMENSION ARE IN INCHES
DECIMALS: .X = ± .030
.XX = ± .020
.XXX = ± .010
ANGLES: ± 1°
CABINET SQUARENESS ± .0625

THIS DRAWING IS THE SOLE PROPERTY OF
DIVERSIFIED WOOD CRAFTS. IT MAY NOT
BE ALTERED OR CHANGED WITHOUT
PERMISSION

TITLE: BACK - 0.25"THK x 47.00"W x 80.00"L

REV.	DESCRIPTION	DATE	NAME	ECN NO.
B	UPDATED SHELF DEPTH, CLIP HOLE LOCATIONS & QUANTITIES	8/10/16	JCF	N/A
A	CREATED DRAWING	2/26/13	JCF	-
REVISION LEVEL				

DRAWING NUMBER:	OS-1420	SCALE:	NTS	SHEET:	3 OF 9	REVISION:	REV B
-----------------	---------	--------	-----	--------	--------	-----------	-------



NOTE:

1.

DWN BY:	JCF	DWN DATE:	2/26/13
APR BY:		DATE APR:	
APR BY:		DATE APR:	



300 South Krueger Street
Suring, WI 54174
diversifiedwoodcrafts.com

UNLESS OTHERWISE SPECIFIED
DIMENSION ARE IN INCHES
DECIMALS: .X = ± .030
.XX = ± .020
.XXX = ± .010
ANGLES: ± 1°
CABINET SQUARENESS ± .0625

THIS DRAWING IS THE SOLE PROPERTY OF
DIVERSIFIED WOOD CRAFTS. IT MAY NOT
BE ALTERED OR CHANGED WITHOUT
PERMISSION

TITLE:
BOTTOM - 0.75"THK x 14.98"W x 46.50"L

REV.	DESCRIPTION	DATE	NAME	ECN NO.
B	UPDATED SHELF DEPTH, CLIP HOLE LOCATIONS & QUANTITIES	8/10/16	JCF	N/A
A	CREATED DRAWING	2/26/13	JCF	-
REVISION LEVEL				

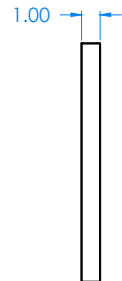
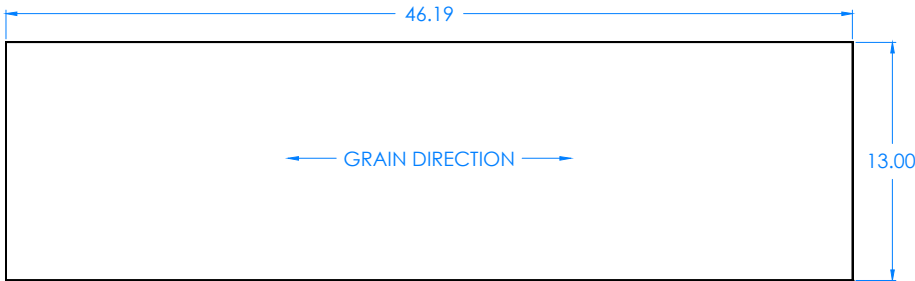
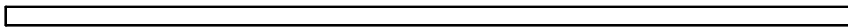
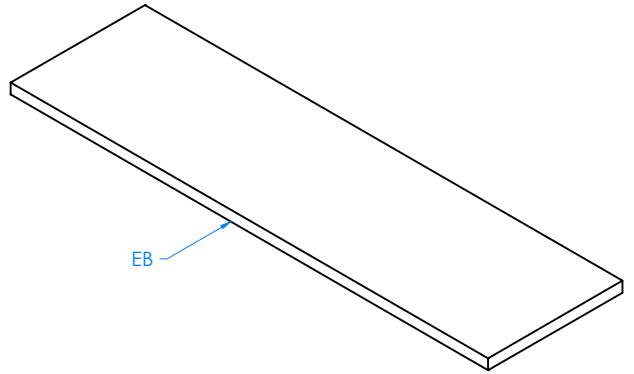
DRAWING NUMBER:

OS-1420

SCALE:
NTS

SHEET:
4 OF 9

REVISION:
REV B



NOTE:

1. QTY (4) PER UNIT.

DWN BY:	JCF	DWN DATE:	2/26/13
APR BY:		DATE APR:	
APR BY:		DATE APR:	



300 South Krueger Street
Suring, WI 54174
diversifiedwoodcrafts.com

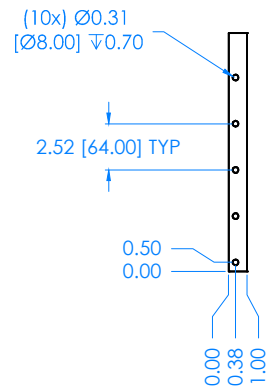
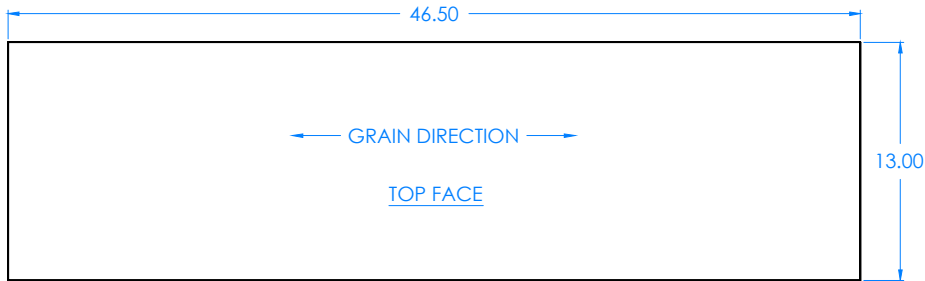
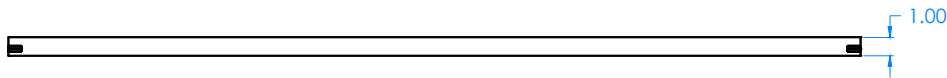
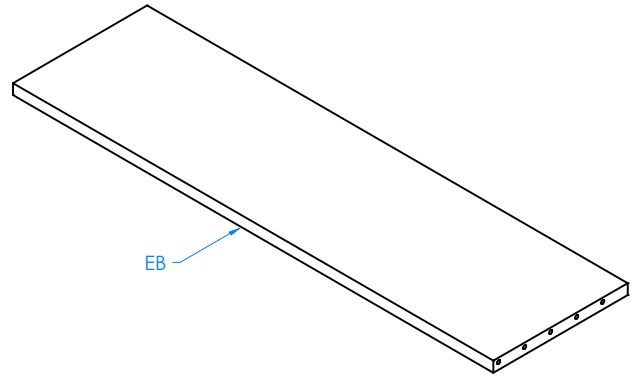
UNLESS OTHERWISE SPECIFIED
DIMENSION ARE IN INCHES
DECIMALS: .X = ± .030
.XX = ± .020
.XXX = ± .010
ANGLES: ± 1°
CABINET SQUARENESS ± .0625

THIS DRAWING IS THE SOLE PROPERTY OF
DIVERSIFIED WOOD CRAFTS. IT MAY NOT
BE ALTERED OR CHANGED WITHOUT
PERMISSION

TITLE: ADJUSTABLE SHELF - 1.00"THK x 13.00"W x 46.19"L

REV.	DESCRIPTION	DATE	NAME	ECN NO.
B	UPDATED SHELF DEPTH, CLIP HOLE LOCATIONS & QUANTITIES	8/10/16	JCF	N/A
A	CREATED DRAWING	2/26/13	JCF	-
REVISION LEVEL				

DRAWING NUMBER:	OS-1420	SCALE:	NTS	SHEET:	5 OF 9	REVISION:	REV B
-----------------	---------	--------	-----	--------	--------	-----------	-------



NOTE:

1.

DWN BY:	JCF	DWN DATE:	2/26/13
APR BY:		DATE APR:	
APR BY:		DATE APR:	



300 South Krueger Street
Suring, WI 54174
diversifiedwoodcrafts.com

UNLESS OTHERWISE SPECIFIED
DIMENSION ARE IN INCHES
DECIMALS: .X = ± .030
.XX = ± .020
.XXX = ± .010
ANGLES: ± 1°
CABINET SQUARENESS ± .0625

THIS DRAWING IS THE SOLE PROPERTY OF
DIVERSIFIED WOOD CRAFTS. IT MAY NOT
BE ALTERED OR CHANGED WITHOUT
PERMISSION

TITLE:
FIXED SHELF - 1.00"THK x 13.00"W x 46.50"L

REV.	DESCRIPTION	DATE	NAME	ECN NO.
B	UPDATED SHELF DEPTH, CLIP HOLE LOCATIONS & QUANTITIES	8/10/16	JCF	N/A
A	CREATED DRAWING	2/26/13	JCF	-
REVISION LEVEL				

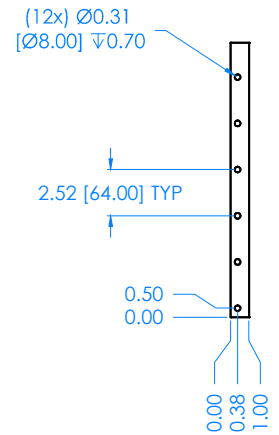
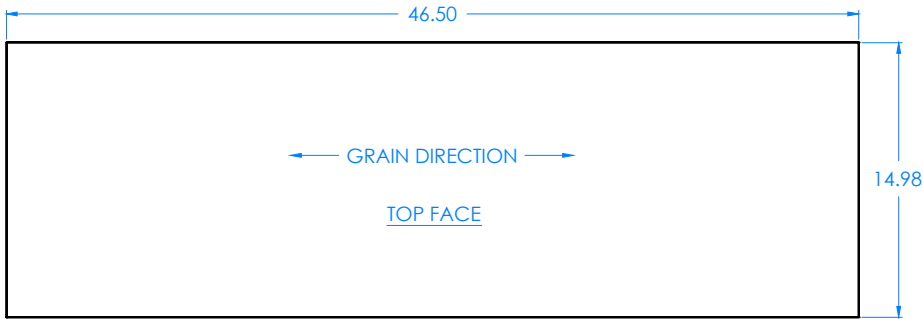
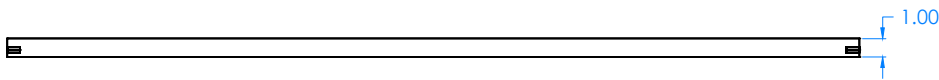
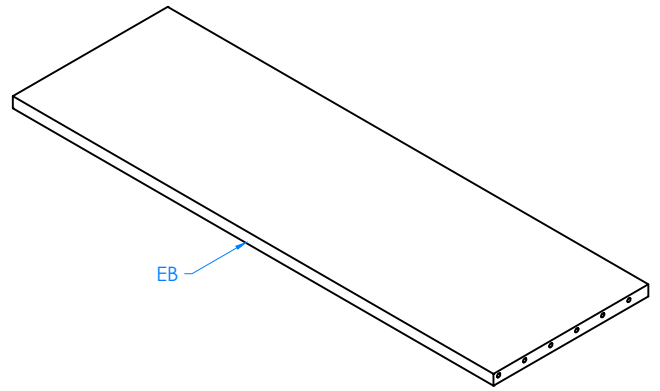
DRAWING NUMBER:

OS-1420

SCALE:
NTS

SHEET:
6 OF 9

REVISION:
REV B



NOTE:

1.

DWN BY:	JCF	DWN DATE:	2/26/13
APR BY:		DATE APR:	
APR BY:		DATE APR:	



300 South Krueger Street
Suring, WI 54174
diversifiedwoodcrafts.com

UNLESS OTHERWISE SPECIFIED
DIMENSION ARE IN INCHES
DECIMALS: .X = ± .030
.XX = ± .020
.XXX = ± .010
ANGLES: ± 1°
CABINET SQUARENESS ± .0625

THIS DRAWING IS THE SOLE PROPERTY OF
DIVERSIFIED WOOD CRAFTS. IT MAY NOT
BE ALTERED OR CHANGED WITHOUT
PERMISSION

TITLE:
TOP - 1.00"THK x 14.98"W x 46.50"L

REV.	DESCRIPTION	DATE	NAME	ECN NO.
B	UPDATED SHELF DEPTH, CLIP HOLE LOCATIONS & QUANTITIES	8/10/16	JCF	N/A
A	CREATED DRAWING	2/26/13	JCF	-
REVISION LEVEL				

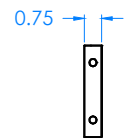
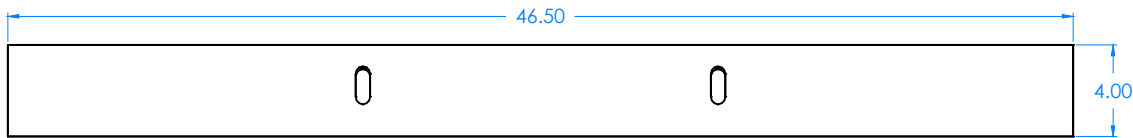
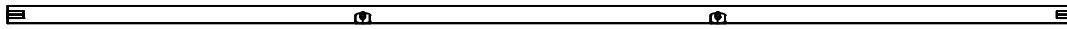
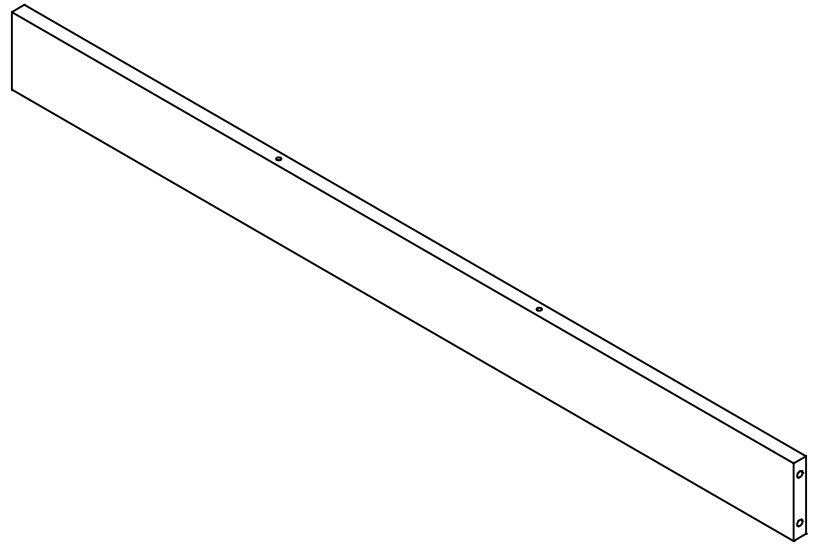
DRAWING NUMBER:

OS-1420

SCALE:
NTS

SHEET:
7 OF 9

REVISION:
REV B



NOTE:

1. SEE REFERENCE DRAWING "TOE KICK - 4IN - DETAIL".

DWN BY:	JCF	DWN DATE:	2/26/13
APR BY:		DATE APR:	
APR BY:		DATE APR:	



300 South Krueger Street
Suring, WI 54174
diversifiedwoodcrafts.com

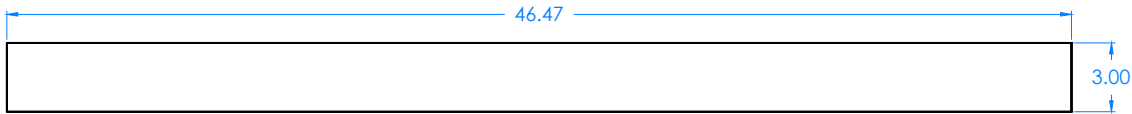
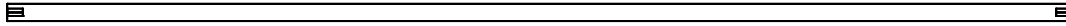
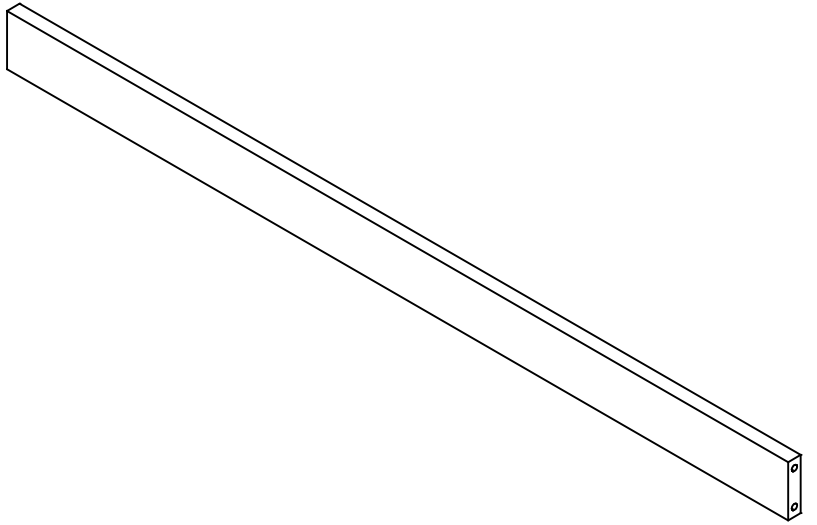
UNLESS OTHERWISE SPECIFIED
DIMENSION ARE IN INCHES
DECIMALS: .X = ± .030
.XX = ± .020
.XXX = ± .010
ANGLES: ± 1°
CABINET SQUARENESS ± .0625

THIS DRAWING IS THE SOLE PROPERTY OF
DIVERSIFIED WOOD CRAFTS. IT MAY NOT
BE ALTERED OR CHANGED WITHOUT
PERMISSION

TITLE: TOEKICK - 0.75"THK x 4.00"W x 46.50"L

REV.	DESCRIPTION	DATE	NAME	ECN NO.
B	UPDATED SHELF DEPTH, CLIP HOLE LOCATIONS & QUANTITIES	8/10/16	JCF	N/A
A	CREATED DRAWING	2/26/13	JCF	-

DRAWING NUMBER:	OS-1420	SCALE:	NTS	SHEET:	8 OF 9	REVISION:	REV B
-----------------	---------	--------	-----	--------	--------	-----------	-------



NOTE:

1. QTY (3) PER UNIT.
2. SEE REFERENCE DRAWING "FASTENING CLEAT - 3IN - DETAIL".

DWN BY:	JCF	DWN DATE:	2/26/13
APR BY:		DATE APR:	
APR BY:		DATE APR:	



300 South Krueger Street
Suring, WI 54174
diversifiedwoodcrafts.com

UNLESS OTHERWISE SPECIFIED
DIMENSION ARE IN INCHES
DECIMALS: .X = ± .030
.XX = ± .020
.XXX = ± .010
ANGLES: ± 1°
CABINET SQUARENESS ± .0625

THIS DRAWING IS THE SOLE PROPERTY OF
DIVERSIFIED WOOD CRAFTS. IT MAY NOT
BE ALTERED OR CHANGED WITHOUT
PERMISSION

TITLE: FASTENING CLEAT - 0.75"THK x 3.00"W x 46.47"L

REV.	DESCRIPTION	DATE	NAME	ECN NO.
B	UPDATED SHELF DEPTH, CLIP HOLE LOCATIONS & QUANTITIES	8/10/16	JCF	N/A
A	CREATED DRAWING	2/26/13	JCF	-

DRAWING NUMBER:	OS-1420	SCALE:	NTS	SHEET:	9 OF 9	REVISION:	REV B
-----------------	---------	--------	-----	--------	--------	-----------	-------