

NOTE:

- PART # SHOWN IS FOR MAPLE CONSTRUCTION. FOR OAK, ADD SUFFIX "K". e.g. OS-1706K

REV.	DESCRIPTION	DATE	NAME	ECN NO.
B	UPDATED SHELF DEPTH, CLIP HOLE LOCATIONS & QUANTITIES	8/10/16	JCF	N/A
A	CREATED DRAWING	2/26/13	JCF	N/A

REVISION LEVEL

DWN BY:	JCF	DWN DATE:	2/26/13
APR BY:		DATE APR:	
APR BY:		DATE APR:	

UNLESS OTHERWISE SPECIFIED DIMENSION ARE IN INCHES
 DECIMALS: X = ± .030
 .XX = ± .020
 .XXX = ± .010
 ANGLES: = ± 1°
 CABINET SQUARENESS ± .0625

THIS DRAWING IS THE SOLE PROPERTY OF DIVERSIFIED WOOD CRAFTS. IT MAY NOT BE ALTERED OR CHANGED WITHOUT PERMISSION



300 South Krueger Street
 Suring, WI 54174
 diversifiedwoodcrafts.com

TITLE:
**OPEN SHELF STORAGE - 35"H x 48"W x 16"D
 FULL ASSEMBLY**

DRAWING NUMBER:

OS-1706

SCALE:

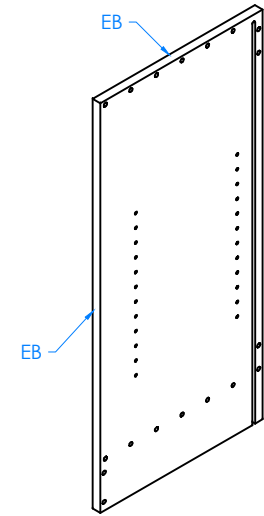
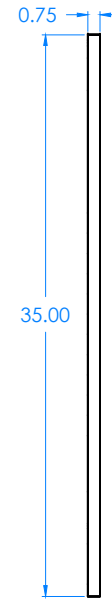
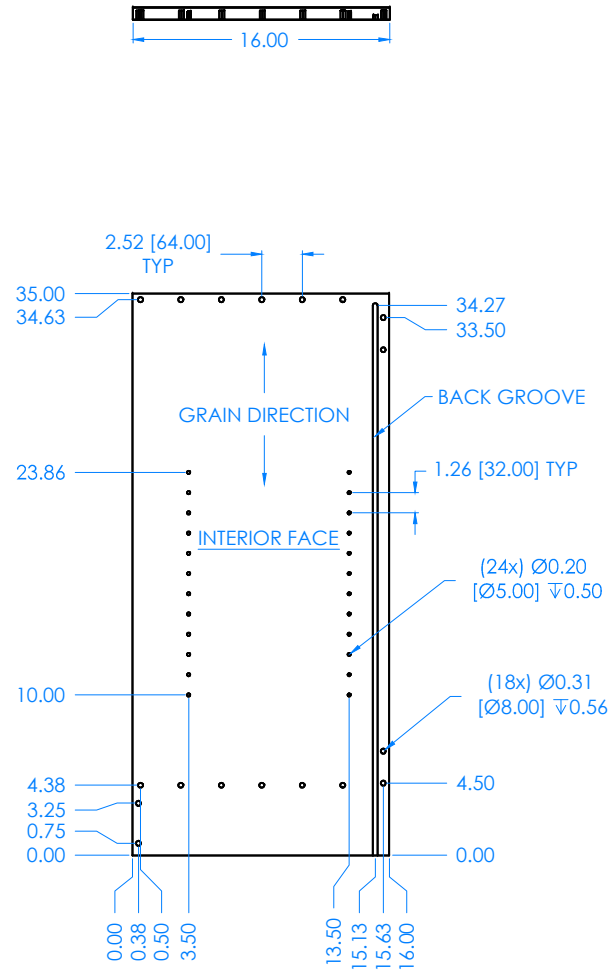
NTS

SHEET:

1 OF 8

REVISION:

REV B



NOTE:

1. QTY (2) PER UNIT - (1) LEFT, (1) RIGHT.
2. LEFT SIDE SHOWN, MIRROR FOR RIGHT.

DWN BY:	JCF	DWN DATE:	2/26/13
APR BY:		DATE APR:	
APR BY:		DATE APR:	

UNLESS OTHERWISE SPECIFIED
DIMENSION ARE IN INCHES
DECIMALS: X = ± .030
 XX = ± .020
 XXX = ± .010
ANGLES: = ± 1°
CABINET SQUARENESS ± .0625



300 South Krueger Street
Suring, WI 54174
diversifiedwoodcrafts.com

TITLE:
SIDE - 0.75"THK x 16.00"W x 35.00"L

REV.	DESCRIPTION	DATE	NAME	ECN NO.
B	UPDATED SHELF DEPTH, CLIP HOLE LOCATIONS & QUANTITIES	8/10/16	JCF	N/A
A	CREATED DRAWING	2/26/13	JCF	N/A
REVISION LEVEL				

THIS DRAWING IS THE SOLE PROPERTY OF
DIVERSIFIED WOOD CRAFTS. IT MAY NOT
BE ALTERED OR CHANGED WITHOUT
PERMISSION

DRAWING NUMBER:

OS-1706

SCALE:

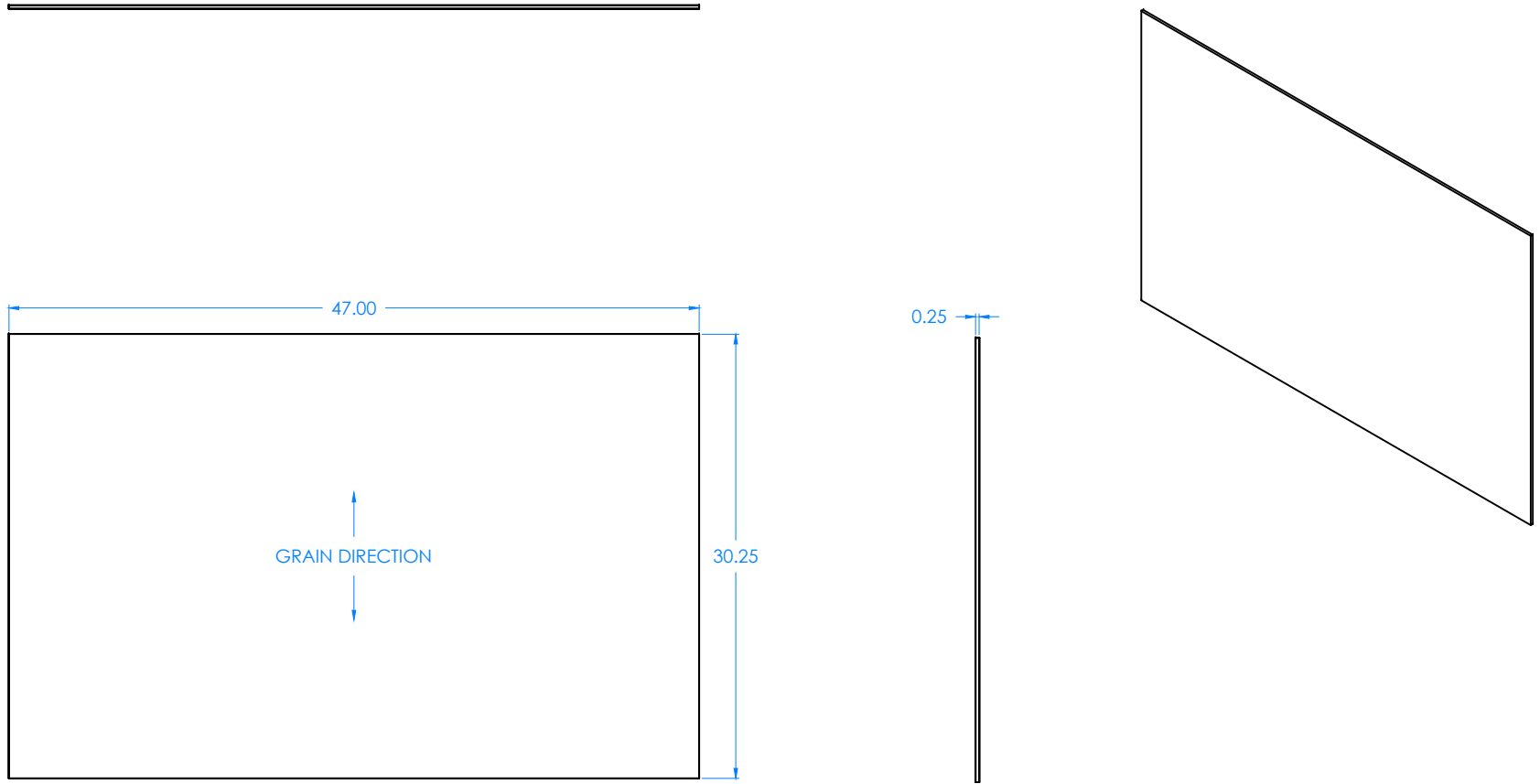
NTS

SHEET:

2 OF 8

REVISION:

REV B




NOTE:

- 1.

REV.	DESCRIPTION	DATE	NAME	ECN NO.
B	UPDATED SHELF DEPTH, CLIP HOLE LOCATIONS & QUANTITIES	8/10/16	JCF	N/A
A	CREATED DRAWING	2/26/13	JCF	N/A
REVISION LEVEL				

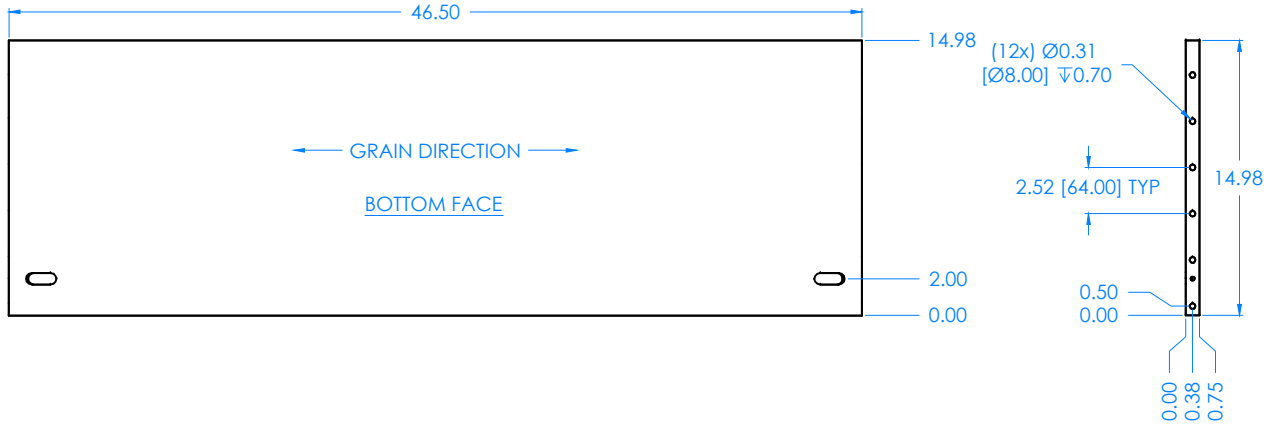
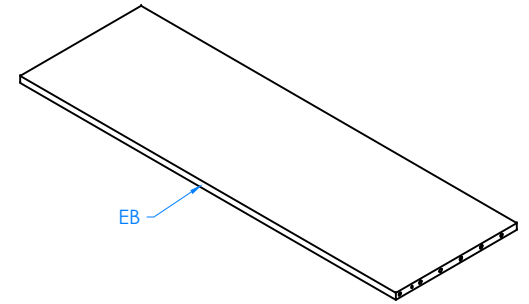
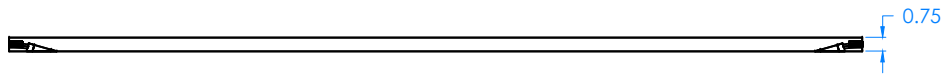
DWN BY:	JCF	DWN DATE:	2/26/13
APR BY:		DATE APR:	
APR BY:		DATE APR:	
UNLESS OTHERWISE SPECIFIED DIMENSION ARE IN INCHES DECIMALS: X = ± .030 .XX = ± .020 .XXX = ± .010 ANGLES: = ± 1° CABINET SQUARENESS ± .0625			
THIS DRAWING IS THE SOLE PROPERTY OF DIVERSIFIED WOOD CRAFTS. IT MAY NOT BE ALTERED OR CHANGED WITHOUT PERMISSION			



300 South Krueger Street
 Suring, WI 54174
 diversifiedwoodcrafts.com

TITLE:
BACK - 0.25"THK x 47.00"W x 30.25"L

DRAWING NUMBER: OS-1706	SCALE: NTS	SHEET: 3 OF 8	REVISION: REV B
-----------------------------------	---------------	------------------	--------------------



NOTE:

- 1.

REV.	DESCRIPTION	DATE	NAME	ECN NO.
B	UPDATED SHELF DEPTH, CLIP HOLE LOCATIONS & QUANTITIES	8/10/16	JCF	N/A
A	CREATED DRAWING	2/26/13	JCF	N/A
REVISION LEVEL				

DWN BY:	JCF	DWN DATE:	2/26/13
APR BY:		DATE APR:	
APR BY:		DATE APR:	

UNLESS OTHERWISE SPECIFIED DIMENSION ARE IN INCHES
 DECIMALS: X = ± .030
 .XX = ± .020
 .XXX = ± .010
 ANGLES: = ± 1°
 CABINET SQUARENESS ± .0625

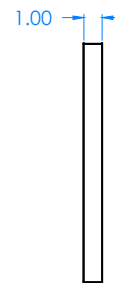
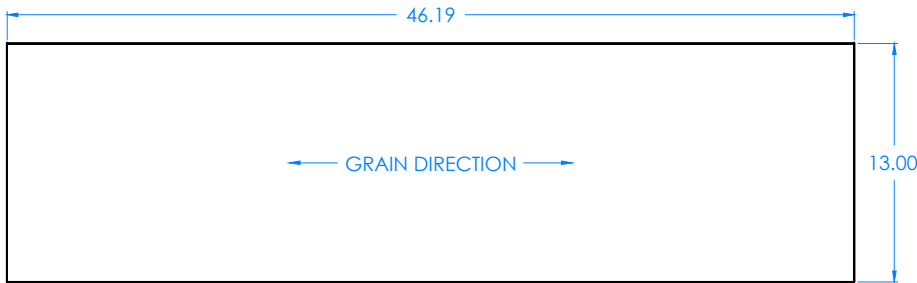
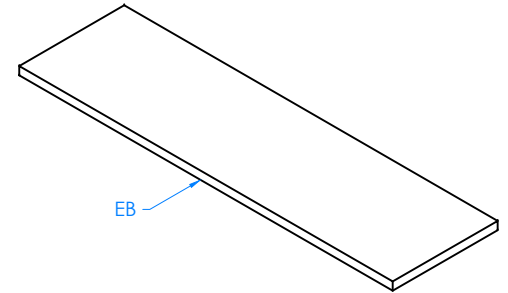
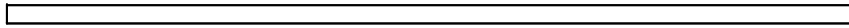
THIS DRAWING IS THE SOLE PROPERTY OF DIVERSIFIED WOOD CRAFTS. IT MAY NOT BE ALTERED OR CHANGED WITHOUT PERMISSION



300 South Krueger Street
 Suring, WI 54174
 diversifiedwoodcrafts.com

TITLE:
 BOTTOM - 0.75"THK x 14.98"W x 46.50"L

DRAWING NUMBER:	OS-1706	SCALE:	NTS	SHEET:	4 OF 8	REVISION:	REV B
-----------------	---------	--------	-----	--------	--------	-----------	-------



NOTE:

- 1.

REV.	DESCRIPTION	DATE	NAME	ECN NO.
B	UPDATED SHELF DEPTH, CLIP HOLE LOCATIONS & QUANTITIES	8/10/16	JCF	N/A
A	CREATED DRAWING	2/26/13	JCF	N/A
REVISION LEVEL				

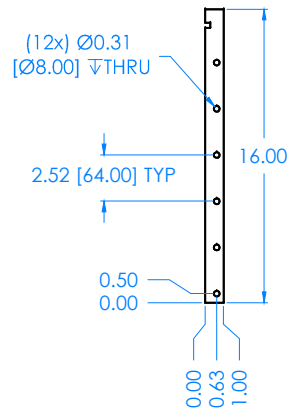
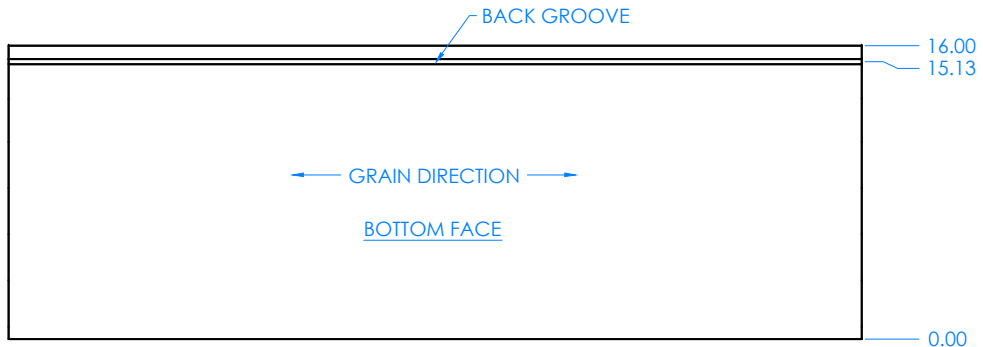
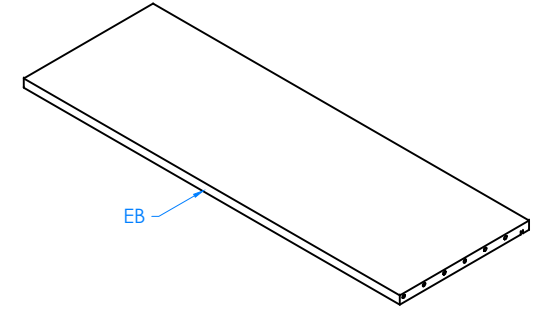
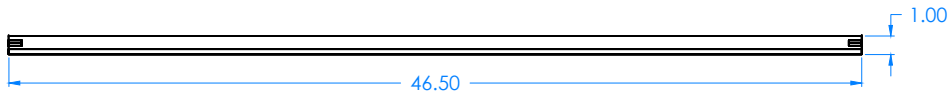
DWN BY:	JCF	DWN DATE:	2/26/13
APR BY:		DATE APR:	
APR BY:		DATE APR:	
UNLESS OTHERWISE SPECIFIED DIMENSION ARE IN INCHES DECIMALS: X = ± .030 .XX = ± .020 .XXX = ± .010 ANGLES: = ± 1° CABINET SQUARENESS ± .0625			
THIS DRAWING IS THE SOLE PROPERTY OF DIVERSIFIED WOOD CRAFTS. IT MAY NOT BE ALTERED OR CHANGED WITHOUT PERMISSION			



300 South Krueger Street
 Suring, WI 54174
 diversifiedwoodcrafts.com

TITLE:
 ADJUSTABLE SHELF - 1.00"THK x 13.00"W x 46.19"L

DRAWING NUMBER:	OS-1706	SCALE:	NTS	SHEET:	5 OF 8	REVISION:	REV B
-----------------	---------	--------	-----	--------	--------	-----------	-------




NOTE:

- 1.

DWN BY:	JCF	DWN DATE:	2/26/13
APR BY:		DATE APR:	
APR BY:		DATE APR:	

UNLESS OTHERWISE SPECIFIED
DIMENSION ARE IN INCHES
DECIMALS: .X = ± .030
.XX = ± .020
.XXX = ± .010
ANGLES: ± 1°
CABINET SQUARENESS ± .0625

THIS DRAWING IS THE SOLE PROPERTY OF
DIVERSIFIED WOOD CRAFTS. IT MAY NOT
BE ALTERED OR CHANGED WITHOUT
PERMISSION



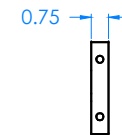
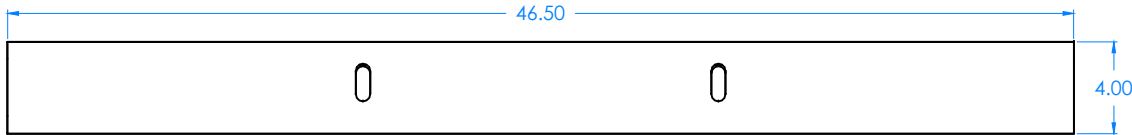
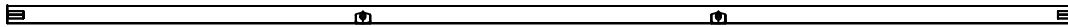
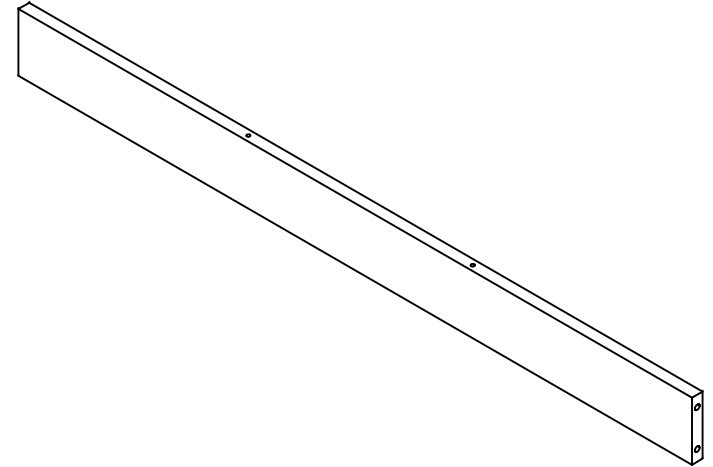
300 South Krueger Street
Suring, WI 54174
diversifiedwoodcrafts.com

TITLE:
TOP - 1.00"THK x 16.00"W x 46.50"L

DRAWING NUMBER: OS-1706

SCALE:	SHEET:	REVISION:
NTS	6 OF 8	REV B

REV.	DESCRIPTION	DATE	NAME	ECN NO.
B	UPDATED SHELF DEPTH, CLIP HOLE LOCATIONS & QUANTITIES	8/10/16	JCF	N/A
A	CREATED DRAWING	2/26/13	JCF	N/A
REVISION LEVEL				



NOTE:

1. SEE REFERENCE DRAWING "TOE KICK - 4IN - DETAIL".

DWN BY:	JCF	DWN DATE:	2/26/13
APR BY:		DATE APR:	
APR BY:		DATE APR:	

UNLESS OTHERWISE SPECIFIED
DIMENSION ARE IN INCHES
DECIMALS: X = ± .030
.XX = ± .020
.XXX = ± .010
ANGLES: ± 1°
CABINET SQUARENESS ± .0625



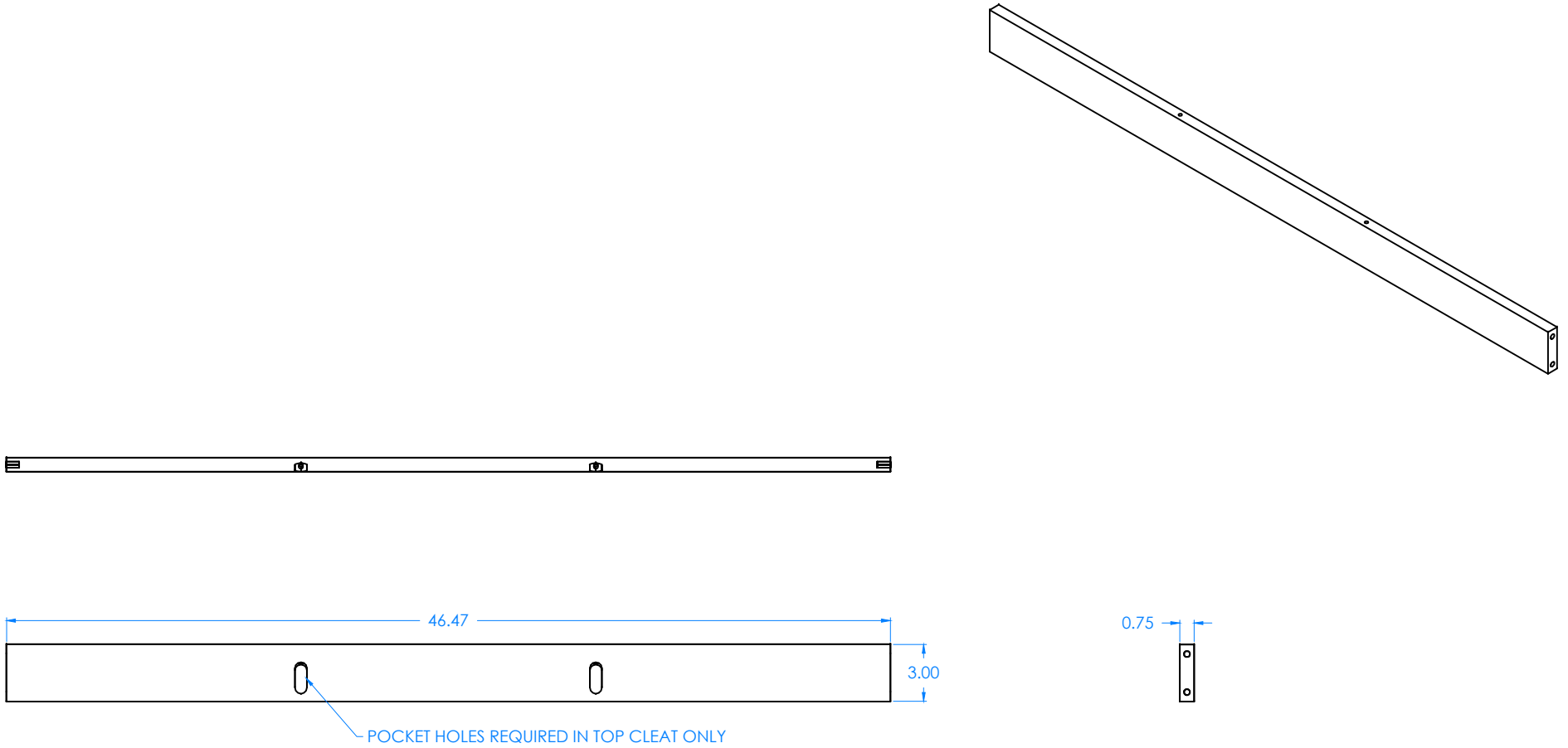
300 South Krueger Street
Suring, WI 54174
diversifiedwoodcrafts.com

TITLE:
TOEKICK - 0.75"THK x 4.00"W x 46.50"L

REV.	DESCRIPTION	DATE	NAME	ECN NO.
B	UPDATED SHELF DEPTH, CLIP HOLE LOCATIONS & QUANTITIES	8/10/16	JCF	N/A
A	CREATED DRAWING	2/26/13	JCF	N/A
REVISION LEVEL				

THIS DRAWING IS THE SOLE PROPERTY OF
DIVERSIFIED WOOD CRAFTS. IT MAY NOT
BE ALTERED OR CHANGED WITHOUT
PERMISSION

DRAWING NUMBER:	OS-1706	SCALE:	NTS	SHEET:	7 OF 8	REVISION:	REV B
-----------------	---------	--------	-----	--------	--------	-----------	-------



NOTE:

1. QTY (2) PER UNIT.
2. SEE REFERENCE DRAWING "FASTENING CLEAT - 3IN - DETAIL", PHs IN TOP CLEAT ONLY.

DWN BY:	JCF	DWN DATE:	2/26/13
APR BY:		DATE APR:	
APR BY:		DATE APR:	

UNLESS OTHERWISE SPECIFIED
DIMENSION ARE IN INCHES
DECIMALS: .X = ± .030
.XX = ± .020
.XXX = ± .010
ANGLES: = ± 1°
CABINET SQUARENESS ± .0625



300 South Krueger Street
Suring, WI 54174
diversifiedwoodcrafts.com

TITLE:
FASTENING CLEAT - 0.75"THK x 3.00"W x 46.47"L

REV.	DESCRIPTION	DATE	NAME	ECN NO.
B	UPDATED SHELF DEPTH, CLIP HOLE LOCATIONS & QUANTITIES	8/10/16	JCF	N/A
A	CREATED DRAWING	2/26/13	JCF	N/A
REVISION LEVEL				

THIS DRAWING IS THE SOLE PROPERTY OF DIVERSIFIED WOOD CRAFTS. IT MAY NOT BE ALTERED OR CHANGED WITHOUT PERMISSION

DRAWING NUMBER:
OS-1706

SCALE:	SHEET:	REVISION:
NTS	8 OF 8	REV B