

NOTE:


1.

REV.	DESCRIPTION	DATE	NAME	ECN NO.
E	ADDED NOTES FOR FINISH/STAINING OF PARTS.	7/8/15	RTT	N/A
D	ORIGINAL DWG WAS DELETED, REMODELED FROM REV C PDF	1/30/15	RTT	N/A
C	ADDED LOCATOR HOLES TO TOP FOR HANDLE	5/19/14	GG	769
B	DRILL/CSINK HOLES TO HANDLE, HANDLE SIZE, BASE GROOVES	5/16/14	GG	769
A	CREATED DRAWING	5/1/14	GG	769

DWN BY:	RTT	DWN DATE:	1/30/15
APR BY:		DATE APR:	
APR BY:		DATE APR:	

UNLESS OTHERWISE SPECIFIED  
DIMENSION ARE IN INCHES  
DECIMALS: .X = ± .030  
.XX = ± .020  
.XXX = ± .010  
ANGLES: ± 1°  
CABINET SQUARENESS ± .0625

THIS DRAWING IS THE SOLE PROPERTY OF  
DIVERSIFIED WOOD CRAFTS, IT MAY NOT  
BE ALTERED OR CHANGED WITHOUT  
PERMISSION

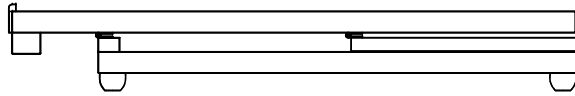


300 South Krueger Street  
Suring, WI 54174  
diversifiedwoodcrafts.com

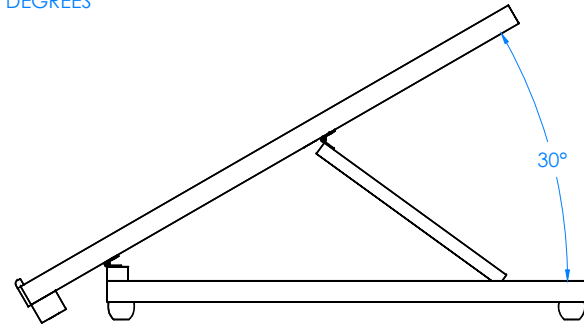
TITLE:  
**PORTABLE DRAFTING TABLE**  
24.00"W x 20.00"D x 3.06"H

DRAWING NUMBER: <b>PDT-2420</b>	SCALE: NTS	SHEET: 1 OF 8	REVISION: REV E
------------------------------------	---------------	------------------	--------------------

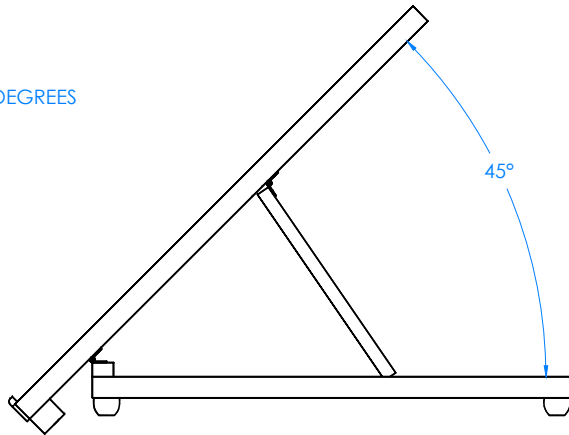
FLAT (STORAGE) POSITION



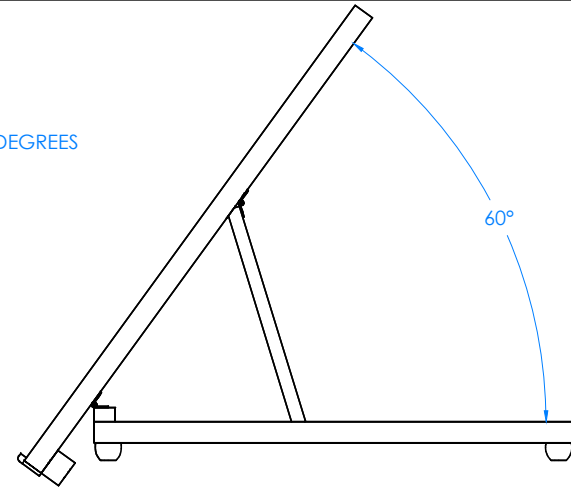
POSITION 1 - 30 DEGREES



POSITION 2 - 45 DEGREES



POSITION 3 - 60 DEGREES



NOTE:

1.

REV.	DESCRIPTION	DATE	NAME	ECN NO.
E	ADDED NOTES FOR FINISH/STAINING OF PARTS.	7/8/15	RTT	N/A
D	ORIGINAL DWG WAS DELETED, REMODELED FROM REV C PDF	1/30/15	RTT	N/A
C	ADDED LOCATOR HOLES TO TOP FOR HANDLE	5/19/14	GG	769
B	DRILL/CINK HOLES TO HANDLE, HANDLE SIZE, BASE GROOVES	5/16/14	GG	769
A	CREATED DRAWING	5/1/14	GG	769

REVISION LEVEL

DWN BY:	RTT	DWN DATE:	1/30/15
APR BY:		DATE APR:	
APR BY:		DATE APR:	

UNLESS OTHERWISE SPECIFIED  
DIMENSION ARE IN INCHES  
DECIMALS: X = ± .030  
.XX = ± .020  
.XXX = ± .010  
ANGLES: ± 1°  
CABINET SQUARENESS ± .0625

THIS DRAWING IS THE SOLE PROPERTY OF  
DIVERSIFIED WOOD CRAFTS, IT MAY NOT  
BE ALTERED OR CHANGED WITHOUT  
PERMISSION

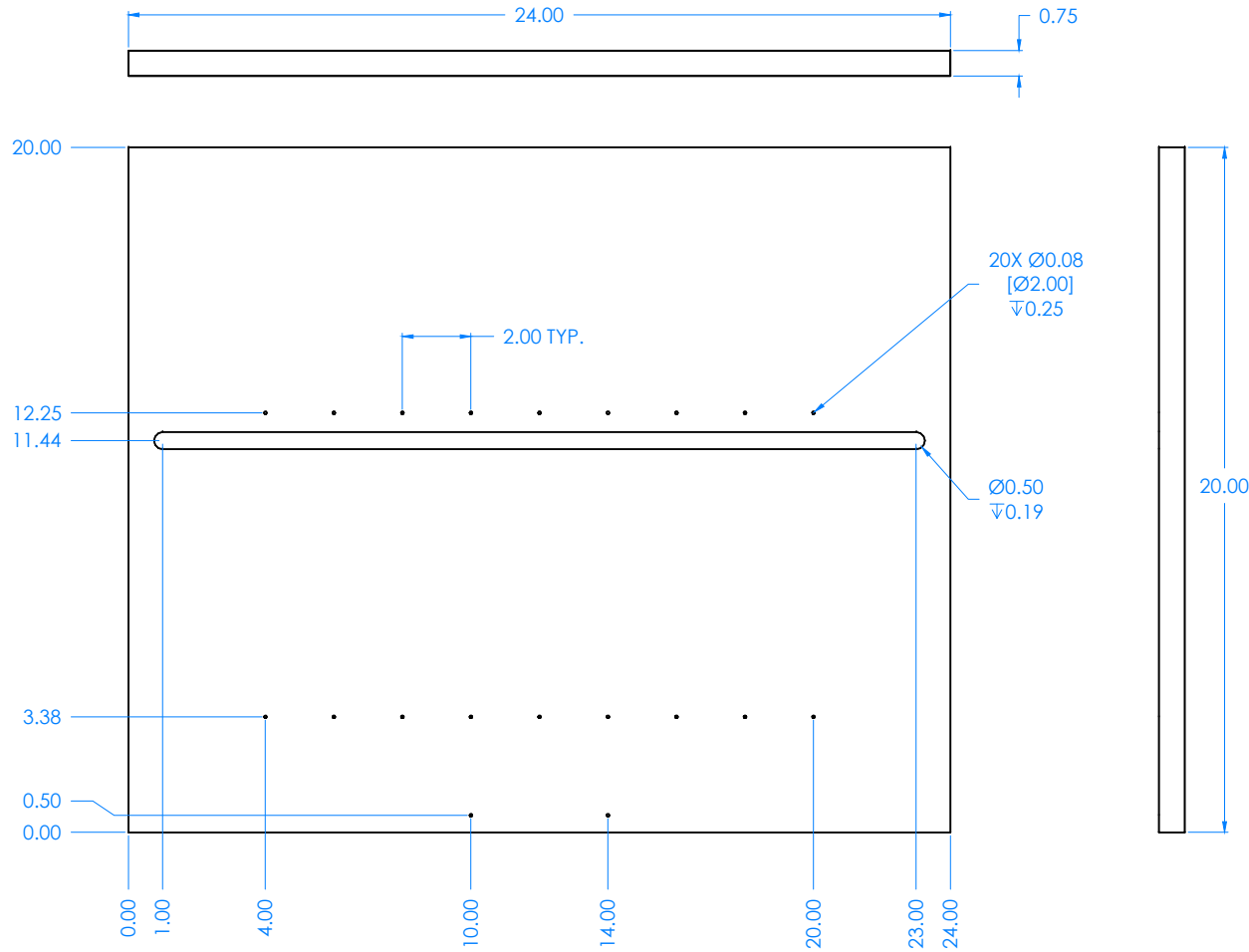


300 South Krueger Street  
Suring, WI 54174  
diversifiedwoodcrafts.com

TITLE:  
PORTABLE DRAFTING TABLE  
30, 45 & 60 DEGREE TILT

DRAWING NUMBER:  
PDT-2420

SCALE:	SHEET:	REVISION:
NTS	2 OF 8	REV E



**NOTE:**

1. BOTTOM FACE OF TOP SHOWN HERE.
2. PART #250106, MACHINING DONE AT DWI.

REV.	DESCRIPTION	DATE	NAME	ECN NO.
E	ADDED NOTES FOR FINISH/STAINING OF PARTS.	7/8/15	RTT	N/A
D	ORIGINAL DWG WAS DELETED, REMODELED FROM REV C PDF	1/30/15	RTT	N/A
C	ADDED LOCATOR HOLES TO TOP FOR HANDLE	5/19/14	GG	769
B	DRILL/CSINK HOLES TO HANDLE, HANDLE SIZE, BASE GROOVES	5/16/14	GG	769
A	CREATED DRAWING	5/1/14	GG	769

DWN BY:	RTT	DWN DATE:	1/30/15
APR BY:		DATE APR:	
APR BY:		DATE APR:	

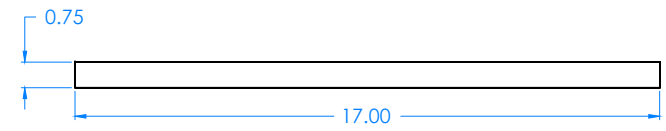
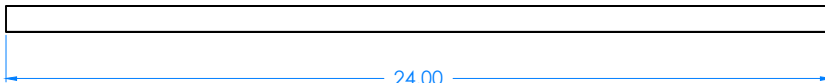
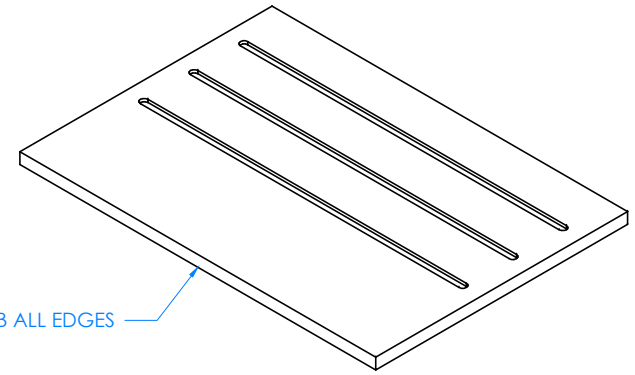
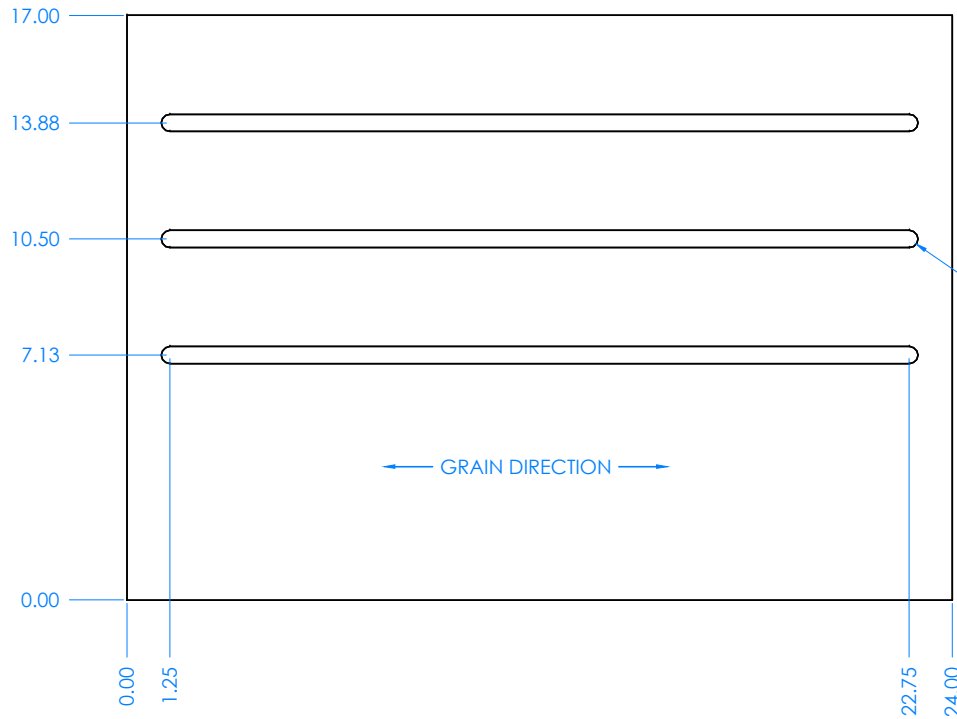
UNLESS OTHERWISE SPECIFIED DIMENSION ARE IN INCHES  
 DECIMALS: X = ± .030  
 .XX = ± .020  
 .XXX = ± .010  
 ANGLES: = ± 1°  
 CABINET SQUARENESS ± .0625

THIS DRAWING IS THE SOLE PROPERTY OF DIVERSIFIED WOOD CRAFTS, IT MAY NOT BE ALTERED OR CHANGED WITHOUT PERMISSION

300 South Krueger Street  
 Suring, WI 54174  
 diversifiedwoodcrafts.com

**TITLE:**  
 PLASTIC LAMINATE TOP  
 0.75"THK x 24.00"W x 20.00"D

DRAWING NUMBER:	PDT-2420	SCALE:	NTS	SHEET:	3 OF 8	REVISION:	REV E
-----------------	----------	--------	-----	--------	--------	-----------	-------



**NOTE:**

1. THIS PART CAN BE STAINED PER JOB REQUIREMENTS.

REV.	DESCRIPTION	DATE	NAME	ECN NO.
E	ADDED NOTES FOR FINISH/STAINING OF PARTS.	7/8/15	RTT	N/A
D	ORIGINAL DWG WAS DELETED, REMODELED FROM REV C PDF	1/30/15	RTT	N/A
C	ADDED LOCATOR HOLES TO TOP FOR HANDLE	5/19/14	GG	769
B	DRILL/CSINK HOLES TO HANDLE, HANDLE SIZE, BASE GROOVES	5/16/14	GG	769
A	CREATED DRAWING	5/1/14	GG	769

DWN BY:	RTT	DWN DATE:	1/30/15
APR BY:		DATE APR:	
APR BY:		DATE APR:	

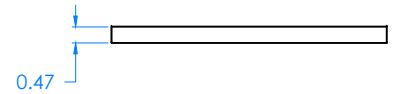
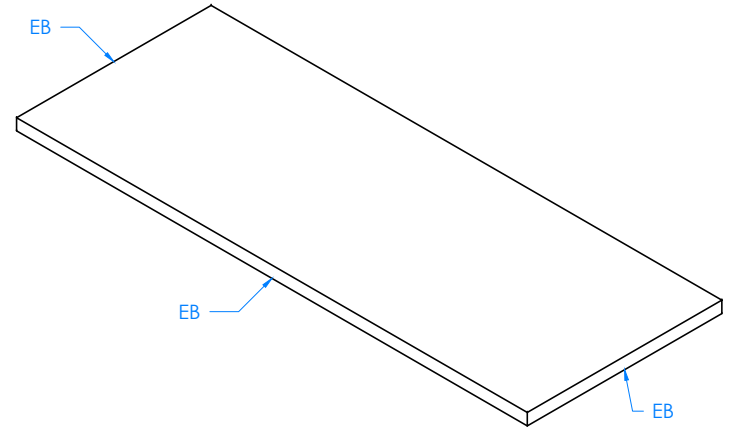
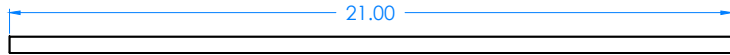
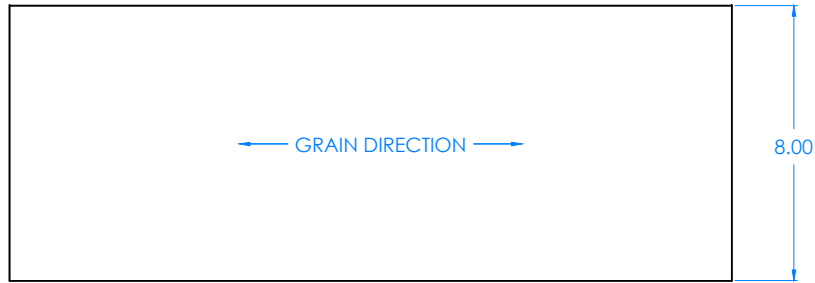
UNLESS OTHERWISE SPECIFIED  
DIMENSION ARE IN INCHES  
DECIMALS: X = ± .030  
.XX = ± .020  
.XXX = ± .010  
ANGLES: ± 1°  
CABINET SQUARENESS ± .0625

THIS DRAWING IS THE SOLE PROPERTY OF  
DIVERSIFIED WOOD CRAFTS, IT MAY NOT  
BE ALTERED OR CHANGED WITHOUT  
PERMISSION

300 South Krueger Street  
Suring, WI 54174  
diversifiedwoodcrafts.com

**TITLE:**  
BASE  
0.75"THK x 17.00"W x 24.00"D

DRAWING NUMBER: <b>PDT-2420</b>	SCALE: NTS	SHEET: 4 OF 8	REVISION: REV E
------------------------------------	---------------	------------------	--------------------



**NOTE:**

1. DRAWER BOX MATERIAL.
2. THIS PART WILL ALWAYS BE PREFINISHED MATERIAL., NO STAINING REQUIRED.

REV.	DESCRIPTION	DATE	NAME	ECN NO.
E	ADDED NOTES FOR FINISH/STAINING OF PARTS.	7/8/15	RTT	N/A
D	ORIGINAL DWG WAS DELETED, REMODELED FROM REV C PDF	1/30/15	RTT	N/A
C	ADDED LOCATOR HOLES TO TOP FOR HANDLE	5/19/14	GG	769
B	DRILL/CSINK HOLES TO HANDLE, HANDLE SIZE, BASE GROOVES	5/16/14	GG	769
A	CREATED DRAWING	5/1/14	GG	769

DWN BY:	RTT	DWN DATE:	1/30/15
APR BY:		DATE APR:	
APR BY:		DATE APR:	

UNLESS OTHERWISE SPECIFIED  
DIMENSION ARE IN INCHES  
DECIMALS: X = ± .030  
.XX = ± .020  
.XXX = ± .010  
ANGLES: ± 1°  
CABINET SQUARENESS ± .0625

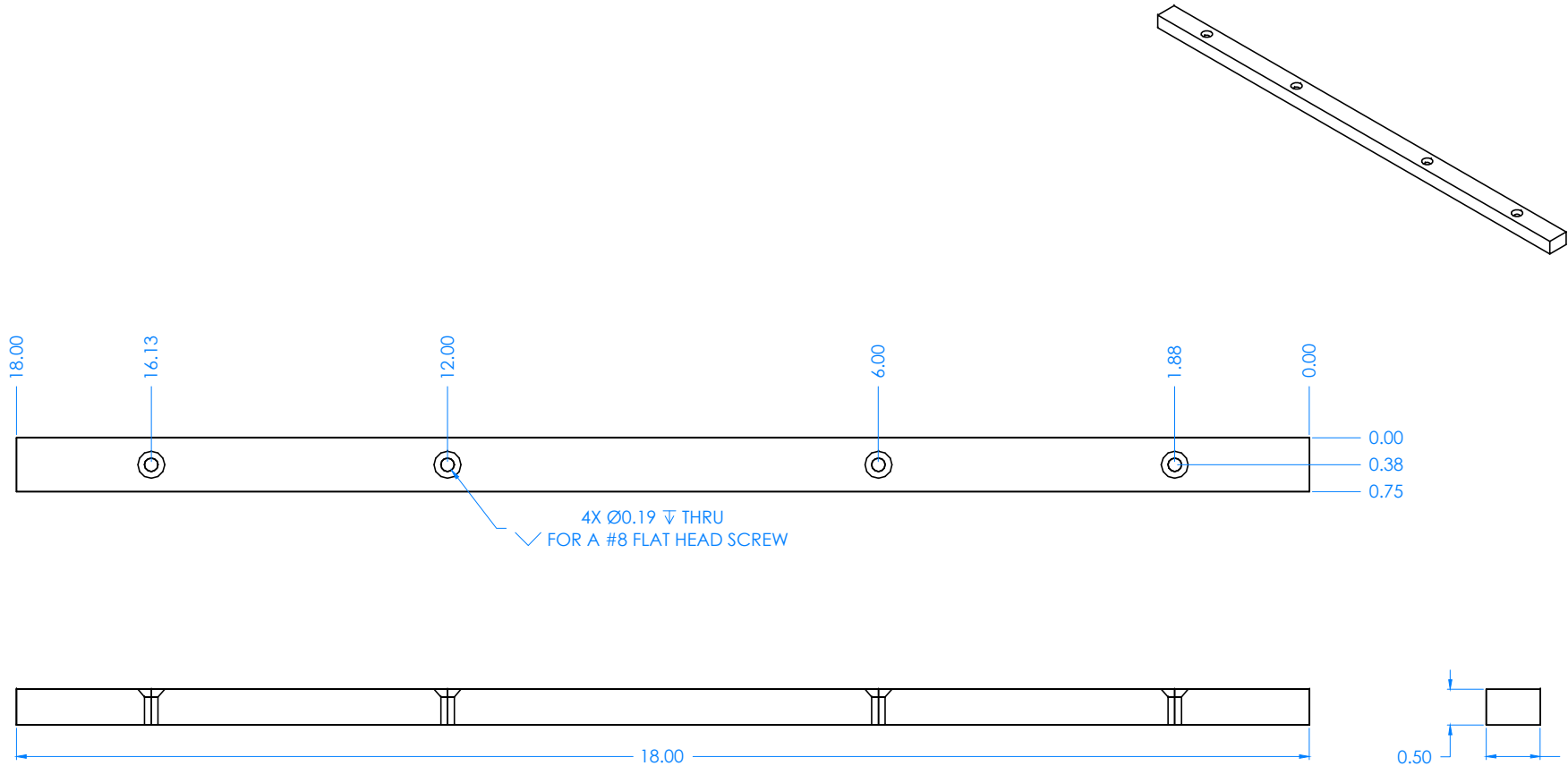
THIS DRAWING IS THE SOLE PROPERTY OF  
DIVERSIFIED WOOD CRAFTS, IT MAY NOT  
BE ALTERED OR CHANGED WITHOUT  
PERMISSION



300 South Krueger Street  
Suring, WI 54174  
diversifiedwoodcrafts.com

TITLE:  
**SUPPORT PANEL**  
0.47"THK x 8.00"W x 21.00"L

DRAWING NUMBER:	PDT-2420	SCALE:	NTS	SHEET:	5 OF 8	REVISION:	REV E
-----------------	----------	--------	-----	--------	--------	-----------	-------



**NOTE:**

1. THIS PART CAN BE STAINED PER JOB REQUIREMENTS.

REV.	DESCRIPTION	DATE	NAME	ECN NO.
E	ADDED NOTES FOR FINISH/STAINING OF PARTS.	7/8/15	RTT	N/A
D	ORIGINAL DWG WAS DELETED, REMODELED FROM REV C PDF	1/30/15	RTT	N/A
C	ADDED LOCATOR HOLES TO TOP FOR HANDLE	5/19/14	GG	769
B	DRILL/CSINK HOLES TO HANDLE, HANDLE SIZE, BASE GROOVES	5/16/14	GG	769
A	CREATED DRAWING	5/1/14	GG	769

DWN BY:	RTT	DWN DATE:	1/30/15
APR BY:		DATE APR:	
APR BY:		DATE APR:	

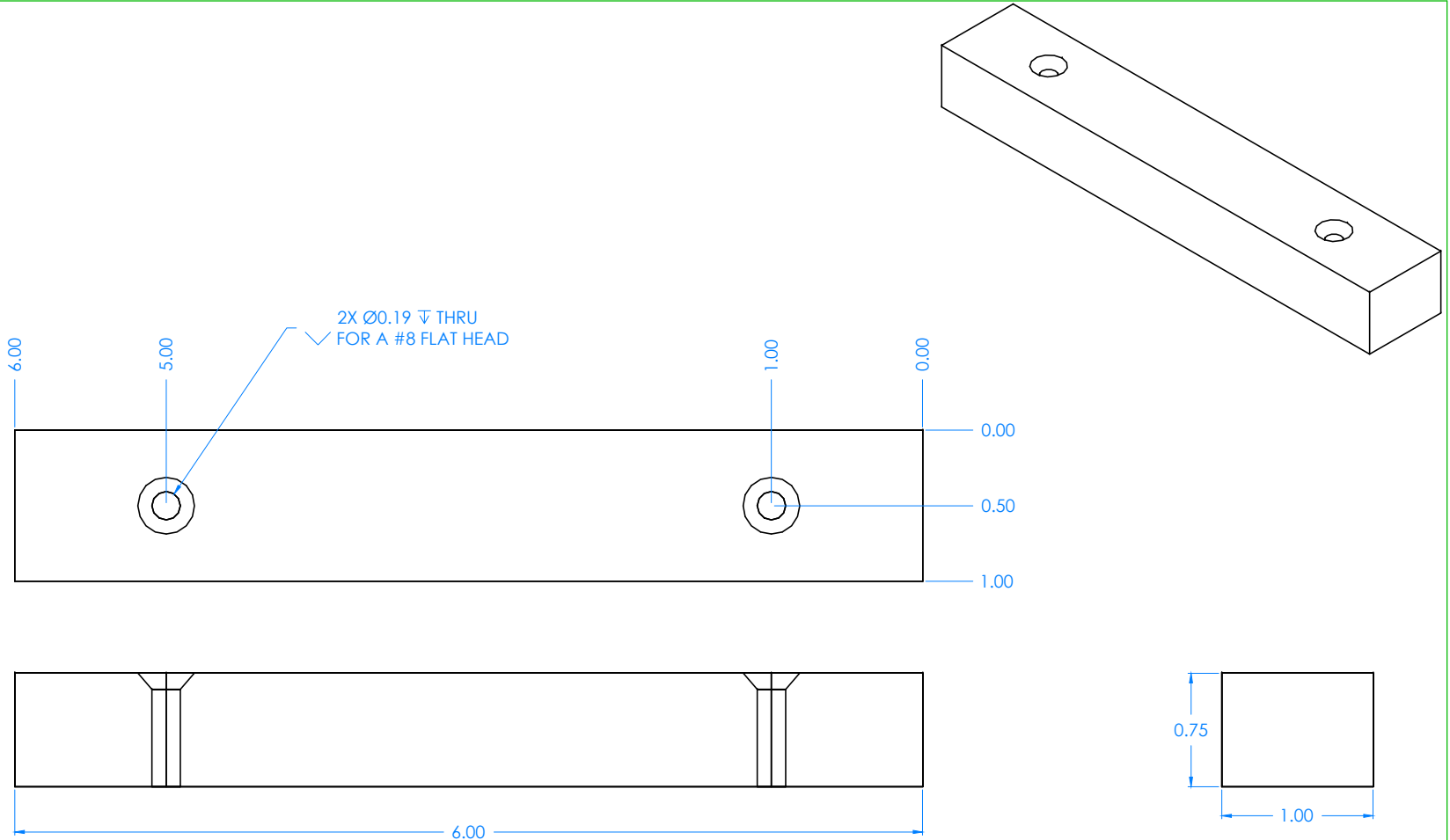
UNLESS OTHERWISE SPECIFIED  
DIMENSION ARE IN INCHES  
DECIMALS: X = ± .030  
.XX = ± .020  
.XXX = ± .010  
ANGLES: ± 1°  
CABINET SQUARENESS ± .0625

THIS DRAWING IS THE SOLE PROPERTY OF  
DIVERSIFIED WOOD CRAFTS, IT MAY NOT  
BE ALTERED OR CHANGED WITHOUT  
PERMISSION

300 South Krueger Street  
Suring, WI 54174  
diversifiedwoodcrafts.com

**TITLE:**  
HINGE CLEAT  
0.50"THK x 0.75"W x 18.00"L

DRAWING NUMBER: <b>PDT-2420</b>	SCALE: NTS	SHEET: 6 OF 8	REVISION: REV E
------------------------------------	---------------	------------------	--------------------



**NOTE:**

- THIS PART CAN BE STAINED PER JOB REQUIREMENTS.

REV.	DESCRIPTION	DATE	NAME	ECN NO.
E	ADDED NOTES FOR FINISH/STAINING OF PARTS.	7/8/15	RTT	N/A
D	ORIGINAL DWG WAS DELETED, REMODELED FROM REV C PDF	1/30/15	RTT	N/A
C	ADDED LOCATOR HOLES TO TOP FOR HANDLE	5/19/14	GG	769
B	DRILL/CINK HOLES TO HANDLE, HANDLE SIZE, BASE GROOVES	5/16/14	GG	769
A	CREATED DRAWING	5/1/14	GG	769

DWN BY:	RTT	DWN DATE:	1/30/15
APR BY:		DATE APR:	
APR BY:		DATE APR:	

UNLESS OTHERWISE SPECIFIED  
DIMENSION ARE IN INCHES  
DECIMALS: X = ± .030  
.XX = ± .020  
.XXX = ± .010  
ANGLES: ± 1°  
CABINET SQUARENESS ± .0625

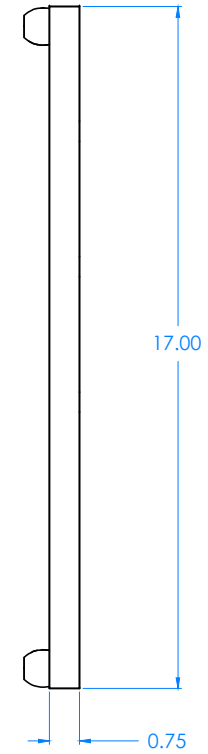
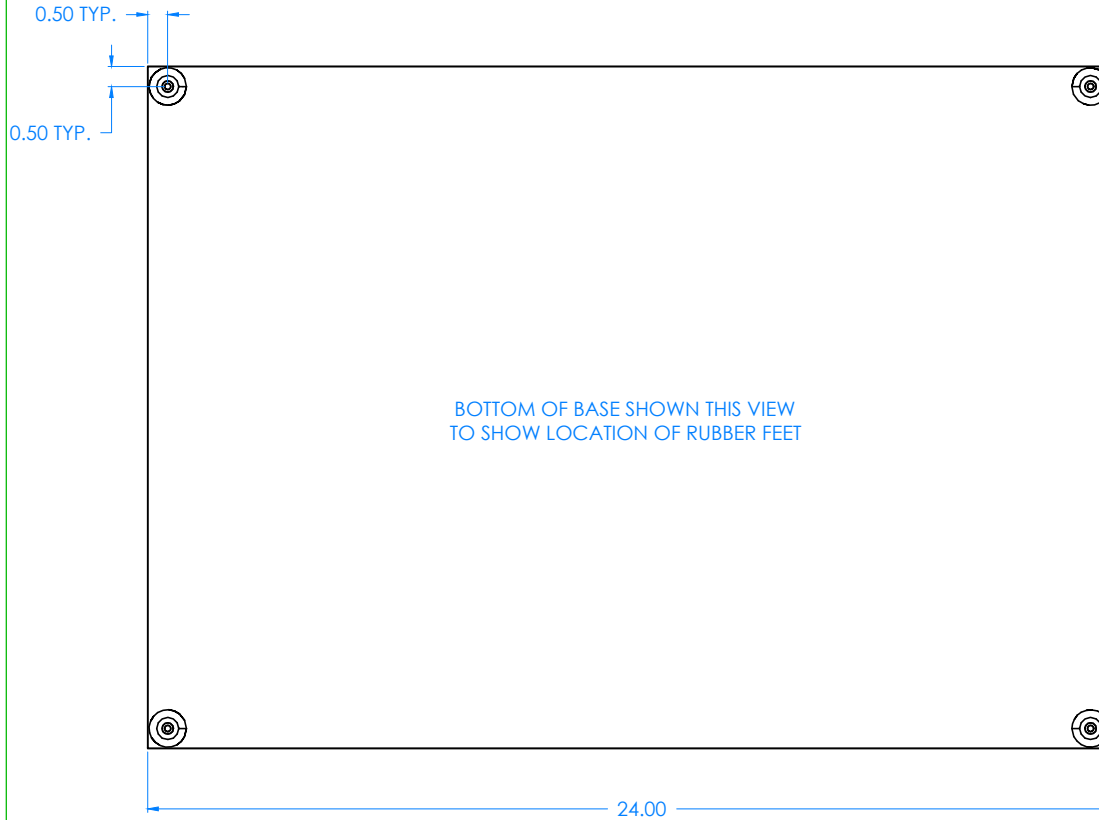
THIS DRAWING IS THE SOLE PROPERTY OF  
DIVERSIFIED WOOD CRAFTS, IT MAY NOT  
BE ALTERED OR CHANGED WITHOUT  
PERMISSION

300 South Krueger Street  
Suring, WI 54174  
diversifiedwoodcrafts.com

**TITLE:**  
HANDLE  
0.75"THK x 1.00"W x 6.00"L

DRAWING NUMBER:	PDT-2420	SCALE:	NTS	SHEET:	7 OF 8	REVISION:	REV E
-----------------	----------	--------	-----	--------	--------	-----------	-------

IN HOUSE CUT PARTS TEMPLATE



**NOTE:**

- 1.

DWN BY:	RTT	DWN DATE:	1/30/15
APR BY:		DATE APR:	
APR BY:		DATE APR:	

UNLESS OTHERWISE SPECIFIED  
DIMENSION ARE IN INCHES  
DECIMALS: X = ± .030  
.XX = ± .020  
.XXX = ± .010  
ANGLES: ± 1°  
CABINET SQUARENESS ± .0625

300 South Krueger Street  
Suring, WI 54174  
diversifiedwoodcrafts.com

REV.	DESCRIPTION	DATE	NAME	ECN NO.
E	ADDED NOTES FOR FINISH/STAINING OF PARTS.	7/8/15	RTT	N/A
D	ORIGINAL DWG WAS DELETED, REMODELED FROM REV C PDF	1/30/15	RTT	N/A
C	ADDED LOCATOR HOLES TO TOP FOR HANDLE	5/19/14	GG	769
B	DRILL/CINK HOLES TO HANDLE, HANDLE SIZE, BASE GROOVES	5/16/14	GG	769
A	CREATED DRAWING	5/1/14	GG	769

TITLE: RUBBER FEET LOCATIONS

DRAWING NUMBER: PDT-2420

SCALE: NTS	SHEET: 8 OF 8	REVISION: REV E
------------	---------------	-----------------