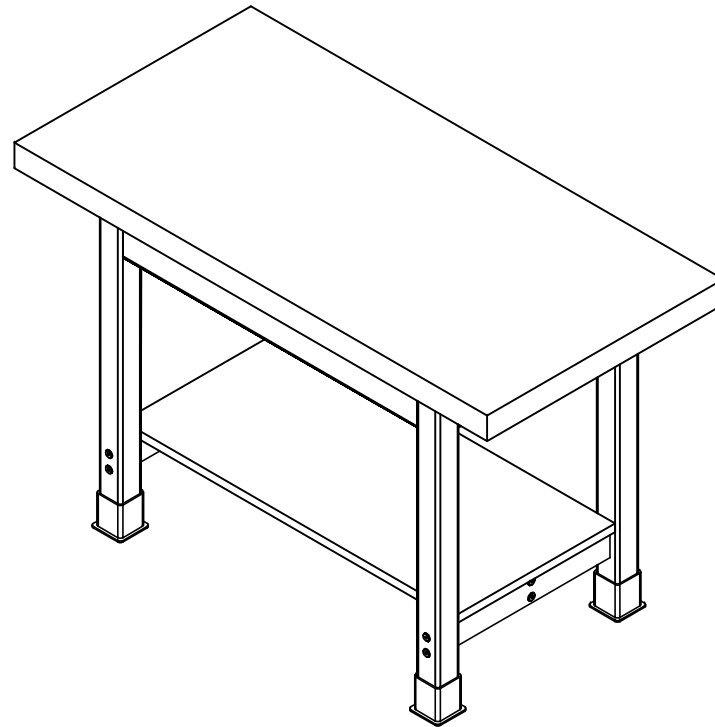


WOOD WORKBENCH

W- WORKBENCHES ASSEMBLY INSTRUCTIONS



NOTE:

1. MODEL VIEWS MAY NOT REPRESENT EXACT MODEL PURCHASED

DWN BY:	EMK	DWN DATE:	11/3/14
APR BY:		DATE APR:	
APR BY:		DATE APR:	

UNLESS OTHERWISE SPECIFIED
DIMENSION ARE IN INCHES
CABINET SQUARENESS ± .0625
FRACTIONAL VALUES ± 1/32"
- ALL VALUES ± OVERALL -



300 South Krueger Street
Suring, WI 54174
diversifiedwoodcrafts.com

TITLE:
WOOD WORKBENCH
ASSEMBLY INSTRUCTIONS

REV.	DESCRIPTION	DATE	NAME	ECN NO.
A	CREATED ASSEMBLY INSTRUCTIONS	11/3/14	EMK	-
REVISION LEVEL				

THIS DRAWING IS THE SOLE PROPERTY OF
DIVERSIFIED WOOD CRAFTS. IT MAY NOT
BE ALTERED OR CHANGED WITHOUT
PERMISSION

DRAWING NUMBER:

W- WORKBENCHES

SCALE:

NTS

SHEET:

1 OF 4

REVISION:

REV A

TOOLS REQUIRED

4MM ALLEN WRENCH
1/2" WRENCH
1/2" SOCKET AND TORQUE WRENCH - OPTIONAL
SCREW DRIVER

ASSEMBLY COMPONENTS

ITEMS INCLUDED	PART #	PART DESCRIPTION	QTY
TOP AND APRON ASSEMBLY	N/A	TOP ASSEMBLY (FACTORY ASSEMBLED) - STYLE VARIES	1
LEGS	501100	LEG,MPL 2.25X2.25X28.25	4
LEG HARDWARE	520001-4	LEG HARDWARE KIT, 4 LEGS	1
LEG BOOTS	100076	LEG BOOT,BLK RUBBER	4
LEG BRACE	N/A	LEG BRACE - SIZE VARIES	2
STRETCHER	N/A	STRETCHER - SIZE VARIES	1
SHELF	N/A	SHELF - SIZE VARIES	1
CONFIRMATS - LEGS	227578	SCREW,7MMX90MM,CONN,ALLENHEAD, BLACK	8
CONFIRMATS - STRETCHER	228564	SCREW,7MMX50MM,CONN,ALLENHEAD, BLACK	4
SCREWS - SHELF	100066	SCREW,#8X1.5 FSQ SMS TYPE 17	4

NOTE:

- TOP STYLES = 1 3/4" THICK MAPLE OR 2 1/4" THICK MAPLE.

DWN BY:	EMK	DWN DATE:	11/3/14
APR BY:		DATE APR:	
APR BY:		DATE APR:	

UNLESS OTHERWISE SPECIFIED
DIMENSION ARE IN INCHES
CABINET SQUARENESS ± .0625
FRACTIONAL VALUES ± 1/32"
- ALL VALUES ± OVERALL -



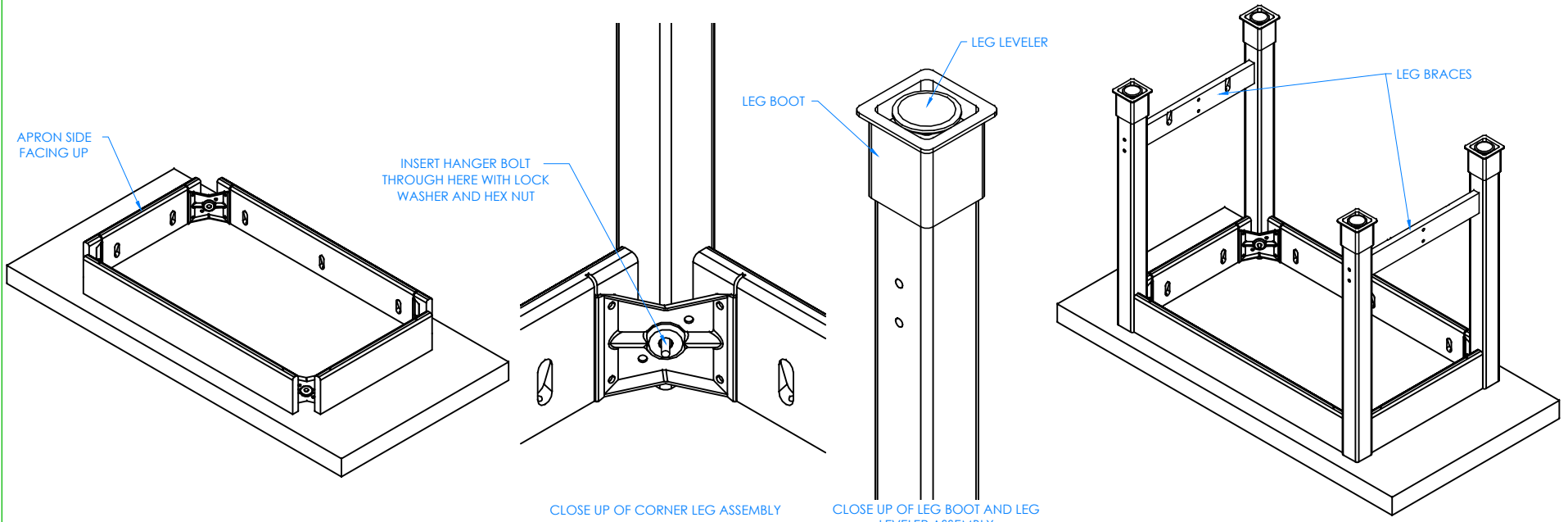
300 South Krueger Street
Suring, WI 54174
diversifiedwoodcrafts.com

TITLE:
WOOD WORKBENCH
TOOLS AND ASSEMBLY COMPONENTS

A	DESCRIPTION	DATE	NAME	ECH NO.
	CREATED ASSEMBLY INSTRUCTIONS	11/3/14	EMK	-
REV.				

THIS DRAWING IS THE SOLE PROPERTY OF
DIVERSIFIED WOOD CRAFTS. IT MAY NOT
BE ALTERED OR CHANGED WITHOUT
PERMISSION

DRAWING NUMBER:	SCALE:	SHEET:	REVISION:
W- WORKBENCHES	NTS	2 OF 4	REV A



STEP 1:

LAY TOP ASSEMBLY ON FLOOR WITH APRON SIDE FACING UP. BE SURE TOP ASSEMBLY IS ON A CLEAN SURFACE TO PREVENT DAMAGE.

STEP 2:

INSERT HANGER BOLT ON ONE OF THE LEGS THROUGH THE CORNER BRACKET AND INSERT LOCK WASHER AND HEX NUT. USING 1/2" WRENCH OR 1/2" SOCKET AND TORQUE WRENCH, SCREW ON THE NUT BUT DO NOT TIGHTEN ALL THE WAY. REPEAT FOR THE OTHER LEGS.

STEP 3:

SLIDE LEG BOOT ONTO LEGS WITH FLARED END TOWARDS THE BOTTOM OF THE LEG. SCREW LEG LEVELERS INTO T-NUT ON BOTTOM OF THE LEGS.

STEP 4:

USING A 4MM ALLEN WRENCH, INSERT THE CONFIRMATS INTO ONE LEG AND SCREW INTO THE BRACE. REPEAT FOR THE OTHER 3 LEGS. MAKE SURE BRACES ARE STRAIGHT AND ALL CONFIRMATS ARE TIGHT.

NOTE:

1.

DWN BY:	EMK	DWN DATE:	11/3/14
APR BY:		DATE APR:	
APR BY:		DATE APR:	

UNLESS OTHERWISE SPECIFIED DIMENSION ARE IN INCHES
 CABINET SQUARENESS ± .0625
 FRACTIONAL VALUES ± 1/32"
 - ALL VALUES ± OVERALL -



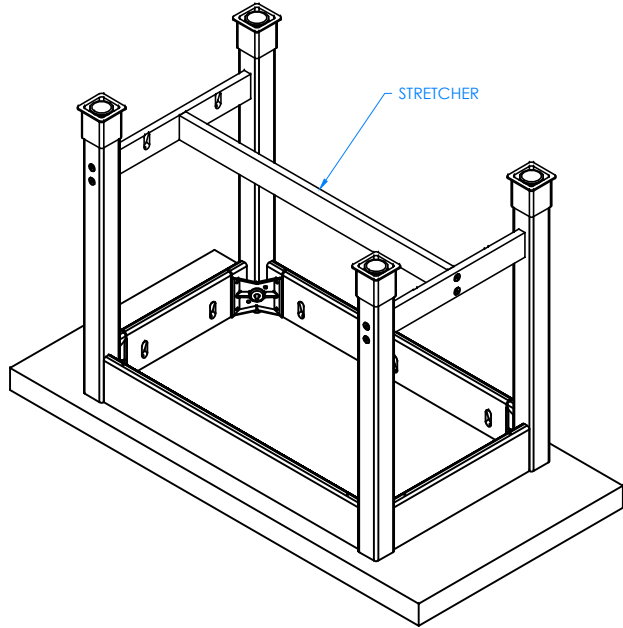
300 South Krueger Street
 Suring, WI 54174
 diversifiedwoodcrafts.com

TITLE:
 WOOD WORKBENCH
 ASSEMBLY INSTRUCTIONS

REV.	DESCRIPTION	DATE	NAME	ECH NO.
A	CREATED ASSEMBLY INSTRUCTIONS	11/3/14	EMK	-
REVISION LEVEL				

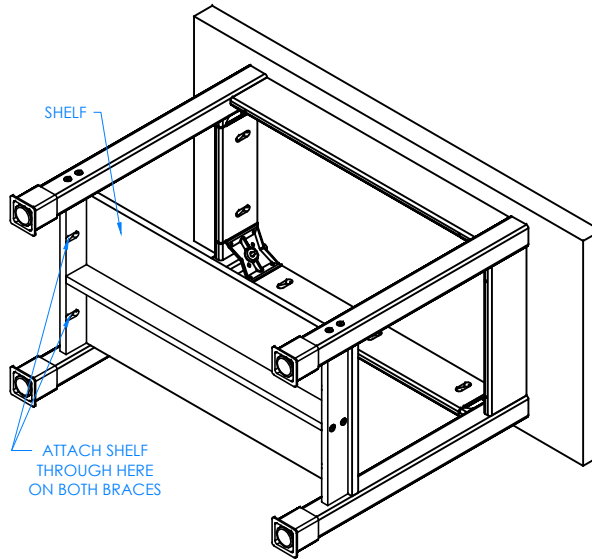
THIS DRAWING IS THE SOLE PROPERTY OF DIVERSIFIED WOOD CRAFTS. IT MAY NOT BE ALTERED OR CHANGED WITHOUT PERMISSION

DRAWING NUMBER:	SCALE:	SHEET:	REVISION:
W- WORKBENCHES	NTS	3 OF 4	REV A



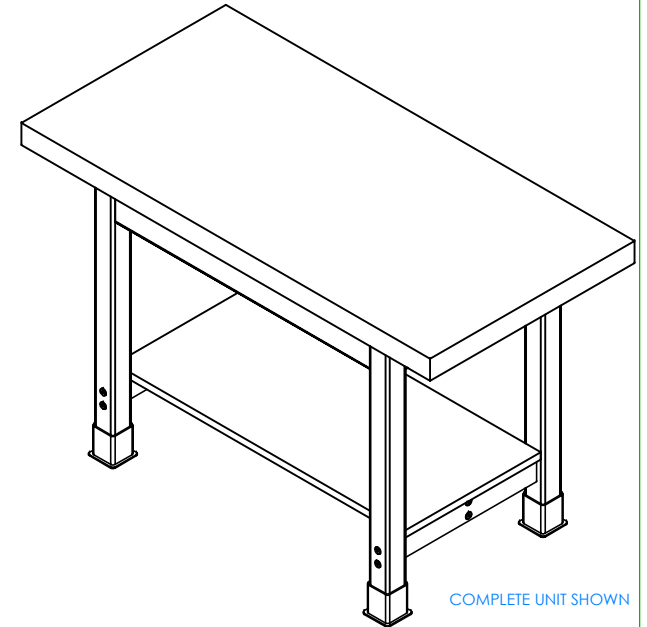
STEP 5:

INSERT STRETCHER ONCE THE LEG BRACES ARE IN POSITION. ATTACH STRETCHER WITH CONFIRMATS PROVIDED. GO BACK TO STEP 2 AND TIGHTEN UP THE HANGER BOLTS FOR EACH LEG USING A 1/2" WRENCH OR 1/2" SOCKET AND TORQUE WRENCH, TO A MINIMUM OF 12FT LBS BUT NOT TO EXCEED 17FT LBS.



STEP 6:

WITH HELP FROM ANOTHER PERSON, TIP TABLE ON ITS SIDE AND SCREW ON SHELF TO THE BRACES WITH THE SCREWS PROVIDED.



STEP 7:

TURN TABLE OVER SO TOP IS UP. SET YOUR TABLE IN PLACE AND ADJUST THE LEG LEVELERS TO LEVEL THE TABLE. SLIDE LEG BOOTS DOWN TO THE FLOOR.

NOTE:

1.

DWN BY:	EMK	DWN DATE:	11/3/14
APR BY:		DATE APR:	
APR BY:		DATE APR:	

UNLESS OTHERWISE SPECIFIED DIMENSION ARE IN INCHES
 CABINET SQUARENESS ± .0625
 FRACTIONAL VALUES ± 1/32"
 - ALL VALUES ± OVERALL -



300 South Krueger Street
 Suring, WI 54174
 diversifiedwoodcrafts.com

TITLE:
**WOOD WORKBENCH
 ASSEMBLY INSTRUCTIONS**

A	DESCRIPTION	DATE	NAME	ECH NO.
	CREATED ASSEMBLY INSTRUCTIONS	11/3/14	EMK	-
REV.				

REVISION LEVEL

THIS DRAWING IS THE SOLE PROPERTY OF DIVERSIFIED WOOD CRAFTS. IT MAY NOT BE ALTERED OR CHANGED WITHOUT PERMISSION

DRAWING NUMBER:

W- WORKBENCHES

SCALE:	SHEET:	REVISION:
NTS	4 OF 4	REV A