



READ THIS FIRST:

- BEFORE product assembly and discarding carton, check all contents for damage or missing parts.
- For fastest and damage-free installation, please carefully read and follow the assembly instructions.
- Prior to using this product please verify that all screws have been securely tightened.

PARTS LIST

- Table Top
- 4 Legs
- Shelf

HARDWARE LIST

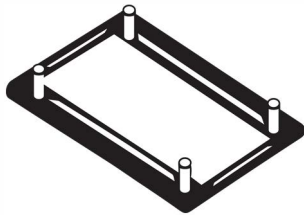
- M8x8 Allen Set Screws
- 4mm Allen Wrench

NOTE: ALL SET SCREWS MUST BE FILLED WITH SILICONE CHALK AFTER THE TABLE IS SETUP. THIS IS DONE TO COMPLY WITH NSF'S EASILY CLEANABLE REQUIREMENTS.

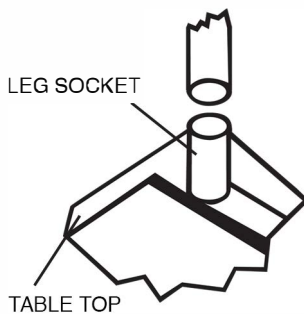


DIVERSIFIED
WOODCRAFTS

METAL TABLE WITH LOWER SHELF



(DETAIL A)



(DETAIL B)

M8X8 SET SCREW



(DETAIL C)



TABLE TOP ASSEMBLY INSTRUCTIONS

1. TURN TABLE TOP UPSIDE DOWN ON A CLEAN SURFACE TO AVOID SCRATCHING (SEE DETAIL A). ASSISTANCE WILL BE NEEDED
2. PLACE LEGS INTO TABLE GUSSETS (LEG SOCKET). DO NOT TIGHTEN SET SCREWS (SEE DETAIL B).
3. WITH ASSISTANCE, POSITION SHELF FACE DOWN. GUIDE LEGS THROUGH SHELF GUSSETS UNTIL SHELF REACHES DESIRED HEIGHT (SEE DETAIL C). MAKE SURE SHELF IS LEVEL BEFORE TIGHTENING THE SCREWS. TIGHTEN SET SCREWS ON SHELF GUSSETS WITH ALLEN WRENCH (PROVIDED).
4. TIGHTEN SET SCREWS IN TABLE GUSSETS. NOTE: AFTER TIGHTENING, THE ENDS OF THE SET SCREWS AND GAPS AROUND GUSSETS MUST BE FILLED WITH ANY TYPE OF SILICONE CHAULK (NOT PROVIDED) TO COMPLY WITH NSF STANDARD 2.
5. GRASPING TABLE BY ITS TOP, TURN TABLE RIGHT SIDE UP AND ADJUST FEET TO LEVEL THE TABLE.
6. REMOVE PROTECTIVE POLYETHYLENE FILM FROM TABLE TOP AND SHELF
7. TABLE IS NOW READY TO USE.