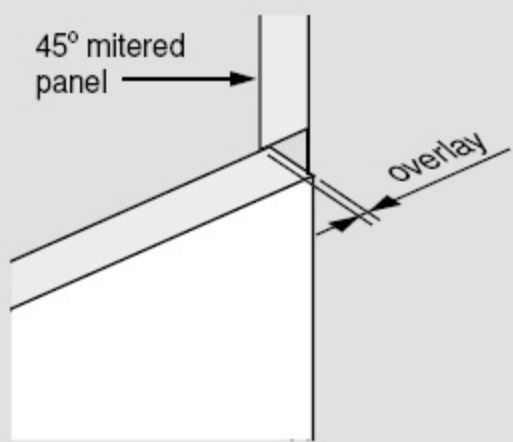
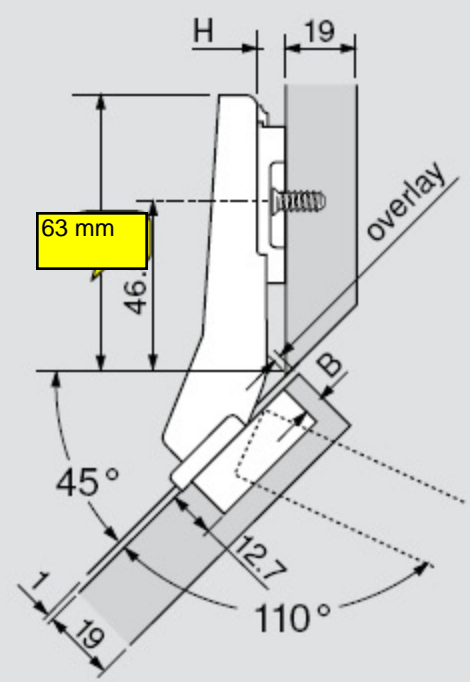


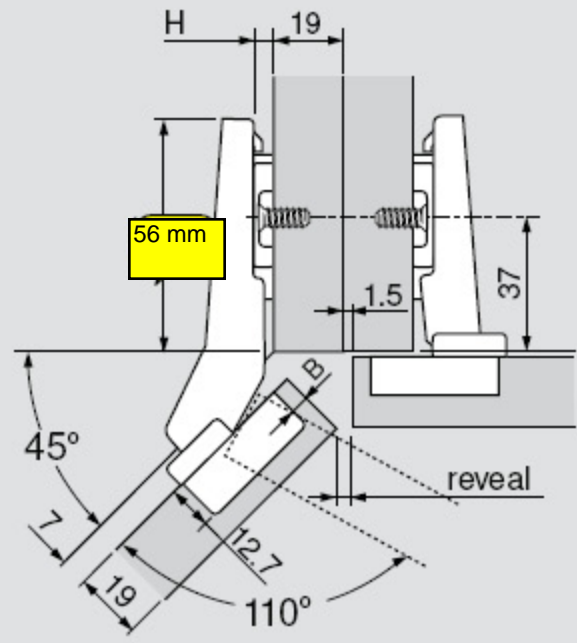
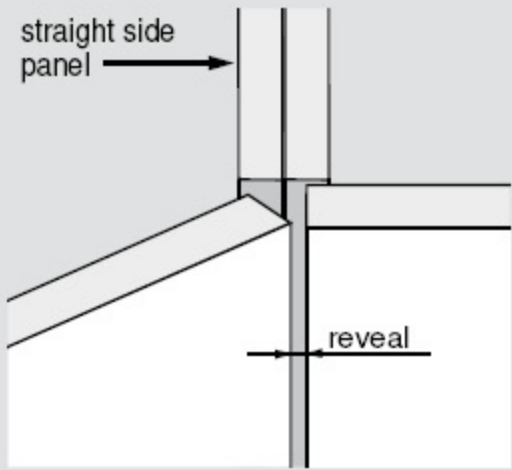
Overlay application



H = PLATE HEIGHT



Inside corner



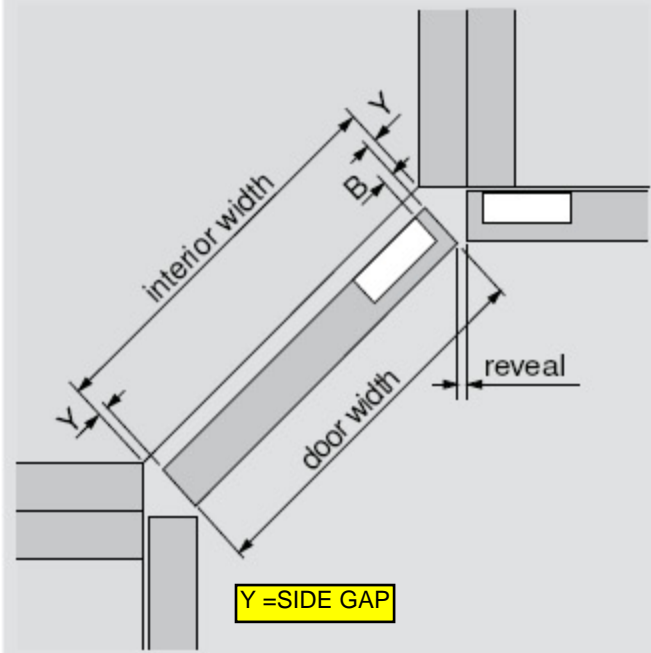
Calculating door width

Step 1. Using the boring distance (B) determined in the reveal table, cross-reference to find the side gap distance (Y) in the table below.

Step 2. Using the following formula to find the door width. Door width = interior width minus (Y x 2).

Example: interior width = 400 mm, side gap (Y) = 4.5 mm.

$$391 = 400 \text{ minus } (4.5 \times 2)$$



Y = SIDE GAP

H	Overlay			
0	1	2	3	4
	3	4	5	6
B = boring distance				

H	Reveal			
0	6	5	4	3
	3	4	5	6
B = boring distance				
NOTE: Reveal based on 19 (3/4") side panel				

Y = side gap			
5.5	4.5	3.5	2.5
3	4	5	6
B = boring distance			
NOTE: Calculations based on 19 (3/4") door thk.			