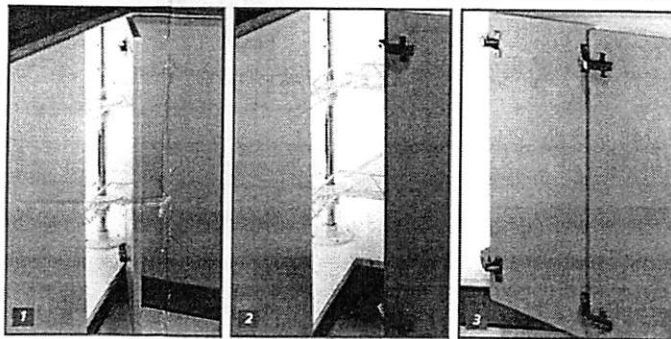
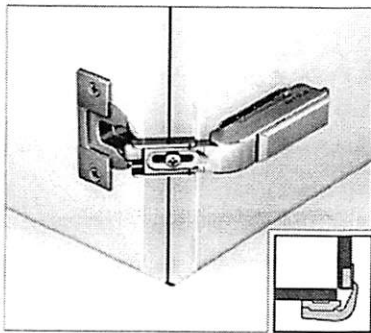


Pie-Cut Corner



Before You Begin

- Read the Do-It-Yourself Installation Instructions completely before starting.
- Make sure all parts are included.

Parts List

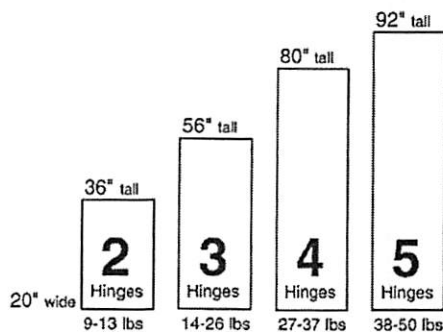
- Two Hinges
- Two Mounting Plates
- Eight #8x5/8" Screws

Recommended Tools

- #2 Phillips Screwdriver
- Pencil or Scribe
- Metric Ruler (millimeters) and Inches Ruler
- Drill and 1/16" Drill bit for pilot holes
- Boring Bit 35mm (Forstner Bit) for hinge cup

Data

- See chart below for recommended number of hinges per door size.
- If hanging a door with a mirror or very wide door you will need additional hinges.

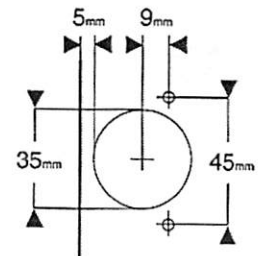


Specifications

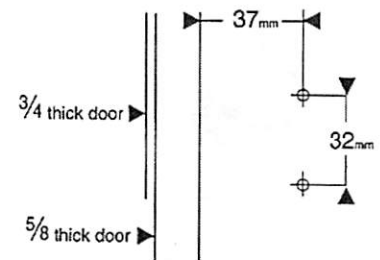
- Door thickness should be 5/8" (16mm) or 3/4" (19mm).
- 5/8" (16mm) thick door clearance should be a minimum of 1/32" (1mm) on all sides.
- 3/4" (19mm) thick door clearance should be a minimum of 1/16" (2mm) on all sides.

Marking Drill Holes

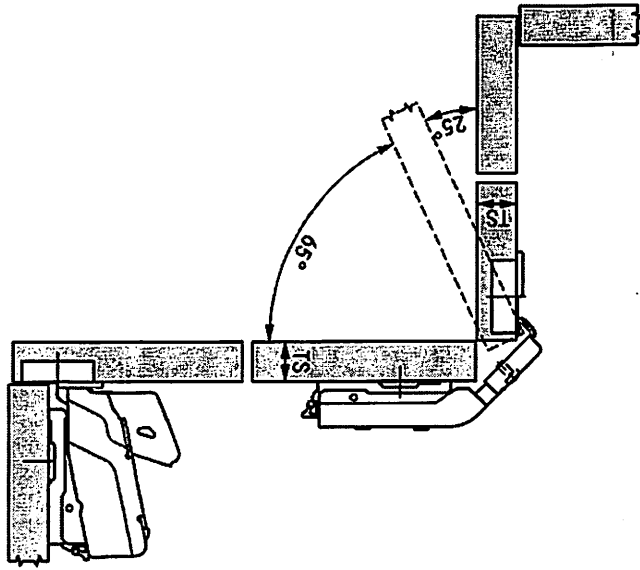
Door



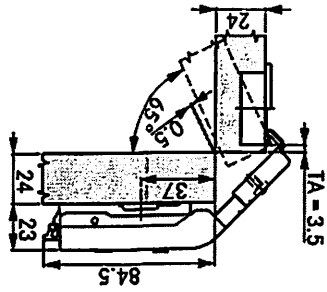
Cabinet



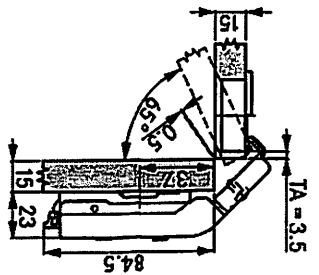
- For connecting two corner cabinet doors
- For door thicknesses up to max. 24 mm (factory setting for 19 mm door thickness for a cup distance of 3.5 mm)
- 35 mm full cup drill hole
- Shallow cup depth of 11.8 mm
- 3-dimensional adjustment with appropriate mounting plate



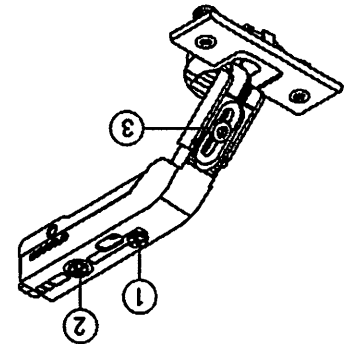
Door thickness (TS) 24 mm
Cup distance (TA) 3.5 mm
Mounting plate height 0



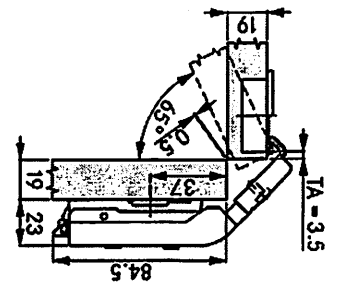
Door thickness (TS) 15 mm
Cup distance (TA) 3.5 mm
Mounting plate height 0



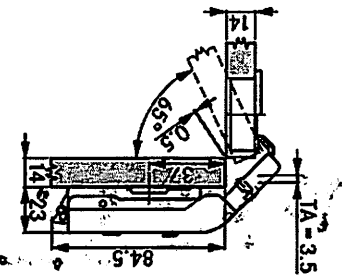
Adjustment in the hinge arm:
1. Stepless side adjustment ± 2 mm
2. Stepless depth adjustment
via worm gear $+ 3/2$ mm
3. Door thickness 14 - 24 mm
(factory setting 19 mm)
Height adjustment via mounting plate



Door thickness (TS) 19 mm (factory setting)
Cup distance (TA) 3.5 mm
Mounting plate height 0



Door thickness (TS) 14 mm
Cup distance (TA) 3.5 mm
Mounting plate height 0



Door thickness (TS) 16 mm
Cup distance (TA) 3.5 mm
Mounting plate height 0

