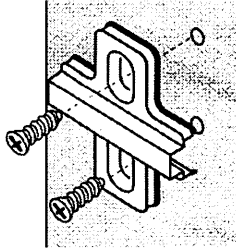


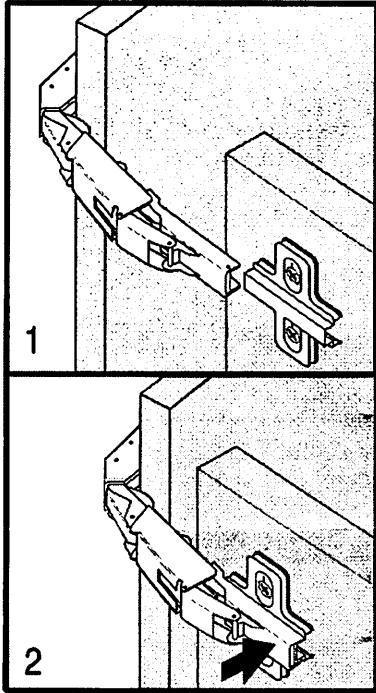
**3. Installing Mounting Plate to Cabinet**

- a. Drill pilot holes for screws.  
Do not drill through cabinet.
- b. Align mounting plate to holes and fasten with supplied screws.  
Do not overtighten.  
**Use included alternate mounting plate for face frame installation.**



**4. Installing Door to Cabinet**

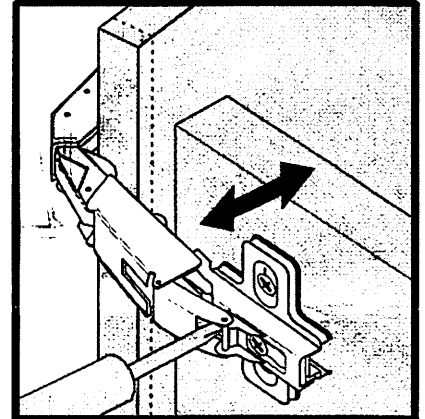
- a. Open hinge to full extension.
- b. Connect door to cabinet as shown below.



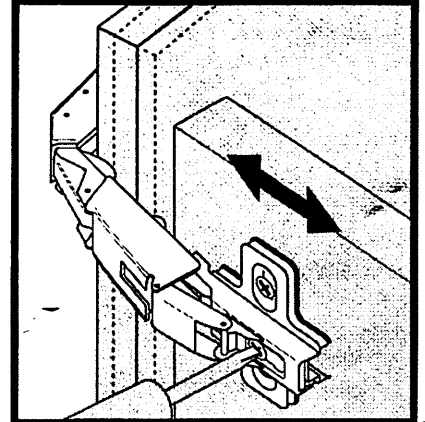
**5. Door Adjustment**

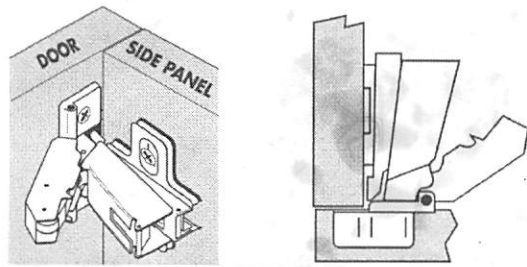
Align door using following adjustment feature.

- a. Lateral Adjustment allows for adjusting the door plus or minus 2.5mm side to side.

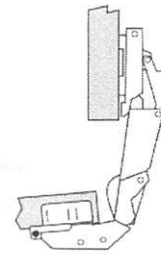


- b. Horizontal Adjustment allows for adjusting the door in and out.





Opening  
160°



**Before You Begin**

- Read the Do-It-Yourself Installation Instructions completely before starting.
- Make sure all parts are included.

**Parts List**

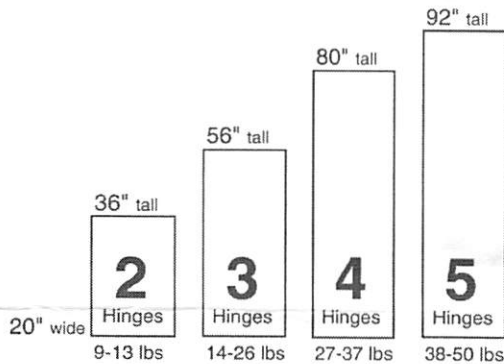
- Two Euro Hinges
- Two Mounting Plates
- Eight #8x5/8" Screws

**Recommended Tools**

- #2 Phillips Screwdriver
- Pencil or Scribe
- Metric and Inches Ruler
- Drill and 1/16" Drill bit for pilot holes
- Boring Bit 35mm (Forstner Bit) for hinge cup

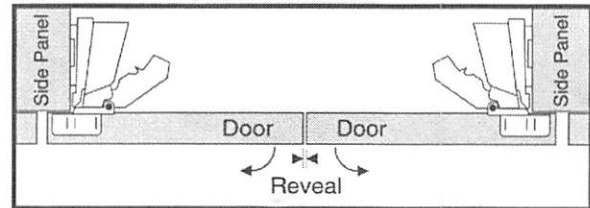
**Data**

- See chart below for recommended number of hinges per door size.
- If hanging a door with a mirror or very wide door you will need additional hinges.



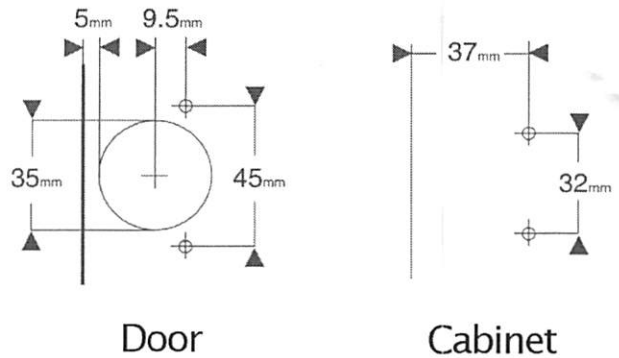
**Specifications**

- Door thickness should be 3/4" (19mm) or 1" (25mm).
- Placing several cabinets together requires that an amount of the opening (reveal) must show between the doors for the doors to properly open and close.



Door	Minimum Reveal
3/4" (19mm) thick	1/16" (2mm)
1" (25mm) thick	1/8" (3mm)

**1. Marking Drill Holes**



**2. Installing Hinge to Door**

- Drill hole 12mm (15/32") deep for hinge cup using 35mm boring bit. Do not drill through door face.
- Drill pilot holes for screws. Do not drill through door face.
- Insert hinge into door and fasten with supplied screws.

