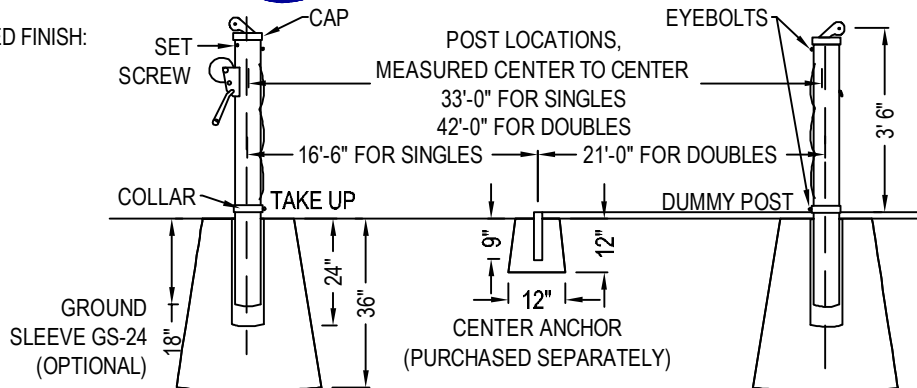




DOUGLAS INDUSTRIES, INC.
 3441 S 11TH AVE.
 ELDRIDGE, IA 52748
 TOLL FREE: 1-800-553-8907
 www.douglas-sports.com

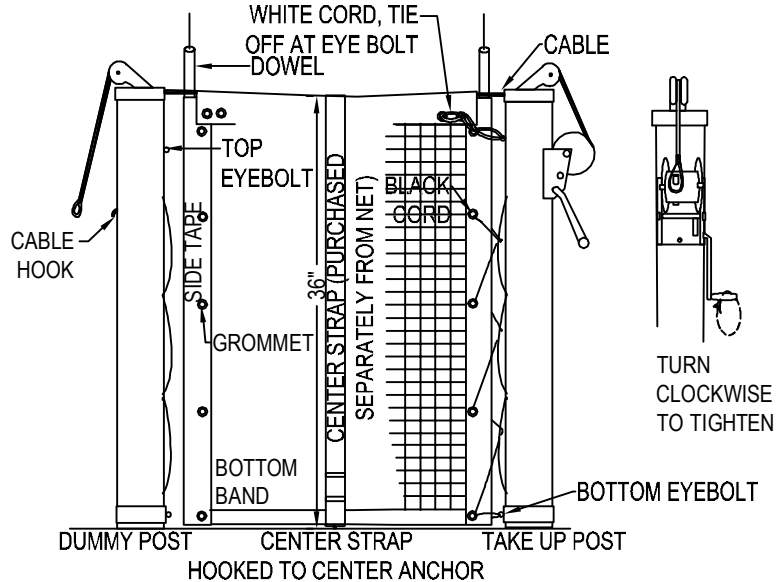
SELECT DESIRED FINISH:

- GREEN
- BLACK



THE FOOTING DIMENSIONS ILLUSTRATED ARE APPROXIMATE AND MAY BE VARIED IN DIFFERENT REGIONS ACCORDING TO LOCAL SOIL AND FROST CONDITIONS.

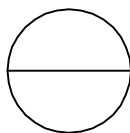
POST AND ANCHOR INSTALLATION



NET INSTALLATION

NOTES:

1. 3-1/2" O.D. WITH A 3/16" WALL THICKNESS, ALSO AVAILABLE IN A 2-7/8" O.D.
2. COMPLETE WITH WELDED LACING RODS.
3. HEAVY-DUTY STEEL CONSTRUCTION REEL ADJUSTS SMOOTHLY AND EASILY.
4. REEL'S HANDLE IS REMOVABLE.
5. BAKED ON POLYESTER POWDER COAT FINISH.
6. INSTALLATION TO BE COMPLETED IN ACCORDANCE WITH MANUFACTURER'S SPECIFICATIONS.
7. DO NOT SCALE DRAWING.
8. THIS DRAWING IS INTENDED FOR USE BY ARCHITECTS, ENGINEERS, CONTRACTORS, CONSULTANTS AND DESIGN PROFESSIONALS FOR PLANNING PURPOSES ONLY. THIS DRAWING MAY NOT BE USED FOR CONSTRUCTION.
9. ALL INFORMATION CONTAINED HEREIN WAS CURRENT AT THE TIME OF DEVELOPMENT BUT MUST BE REVIEWED AND APPROVED BY THE PRODUCT MANUFACTURER TO BE CONSIDERED ACCURATE.
10. CONTRACTOR'S NOTE: FOR PRODUCT AND COMPANY INFORMATION VISIT www.CADdetails.com/info AND ENTER REFERENCE NUMBER 2763-027.



POSTS

SIDEWINDER 3-1/2" TENNIS POST