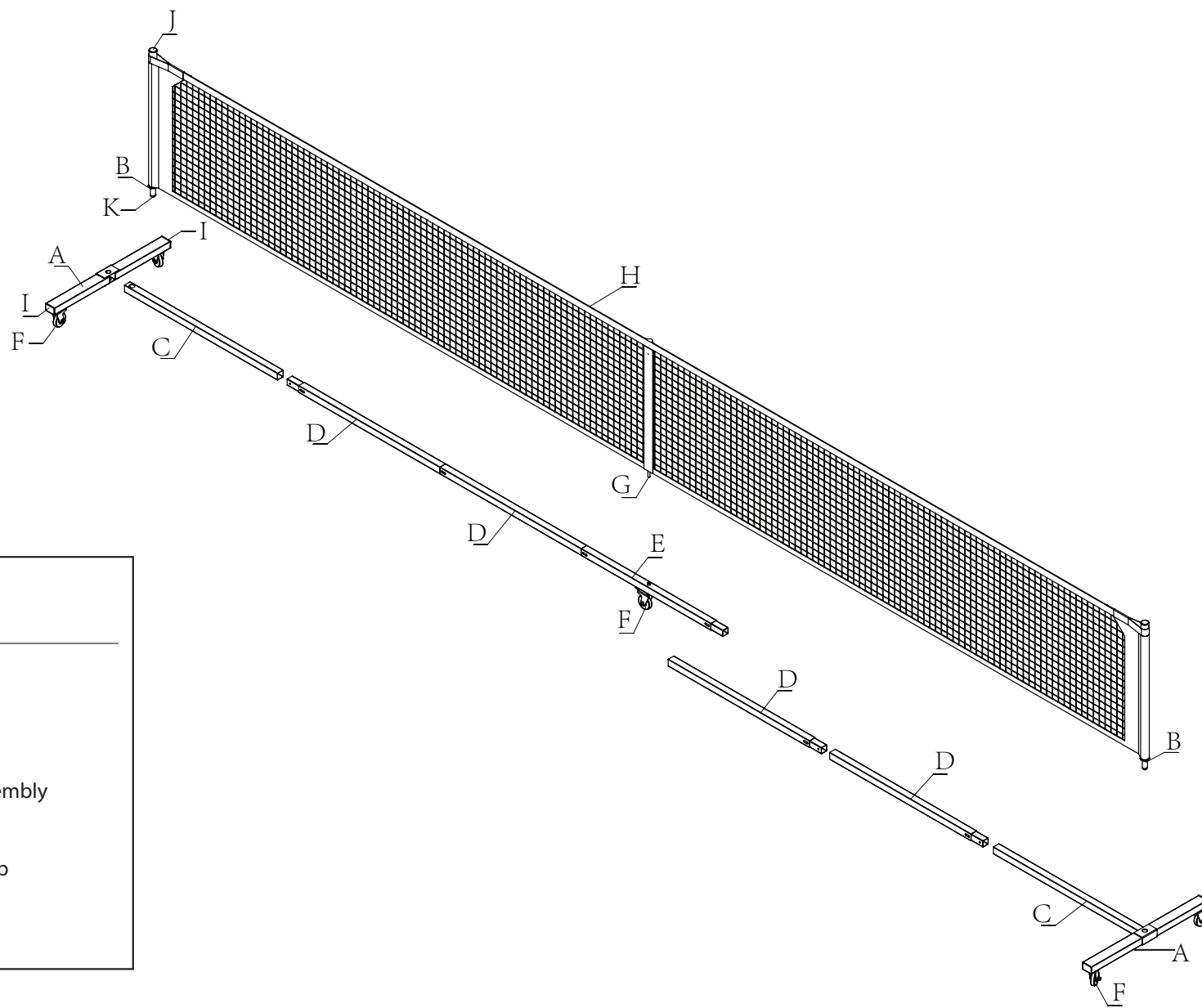


# Pickle-MAX by Douglas® Portable Pickleball Set

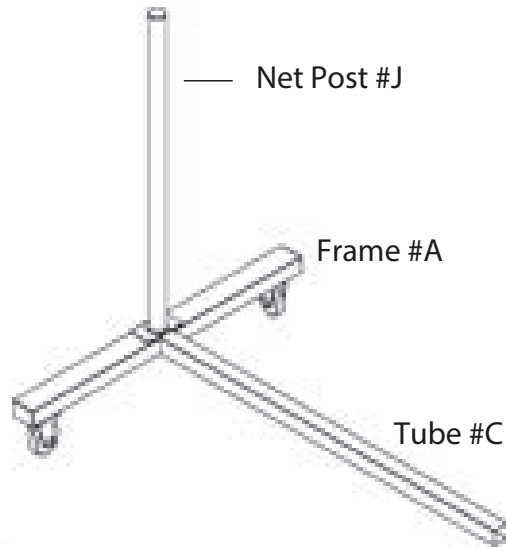
Item #33150



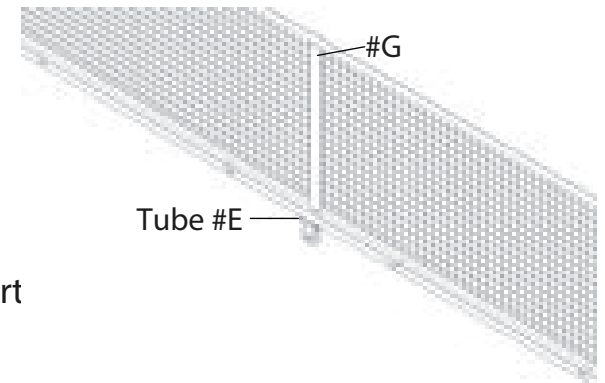
## PARTS LIST

REF	QTY	PART DESCRIPTION
A	(2)	Base frame #A
B	(2)	Net post
C	(2)	Base frame #C
D	(4)	Base frame #D
E	(1)	Base frame #E
F	(5)	Swivel caster assembly
G	(1)	Center net post
H	(1)	Pickleball net
I	(4)	Rectangle end cap
K	(2)	Connector
J	(2)	Round end cap

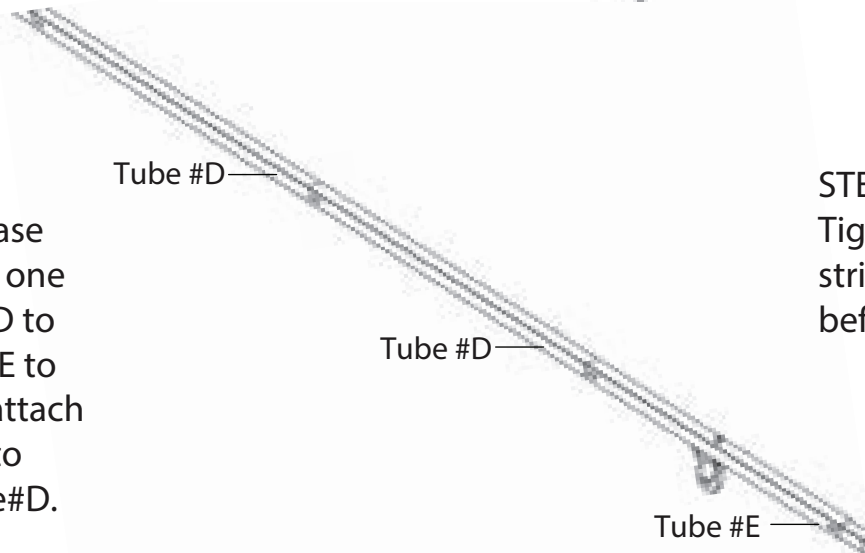
STEP 1:  
Lay out all parts as shown in drawing;  
Start by attaching the base frame  
Tube #C to Frame #A.  
Net post #J attach to  
Frame #A.



STEP 3:  
Repeat Step 1 &  
Step 2 assembly as  
shown on opposite  
side to connect all  
the base frame  
together. Then insert  
the center net post  
#G to Tube #E .



STEP 2:  
Assembly the base  
frame as shown one  
by one: Tube #D to  
Tube #D, Tube#E to  
Tube #D. Then attach  
the whole part to  
Tube#C by Tube#D.



STEP 4:  
Tighten the net  
stripe to the post  
before using.

