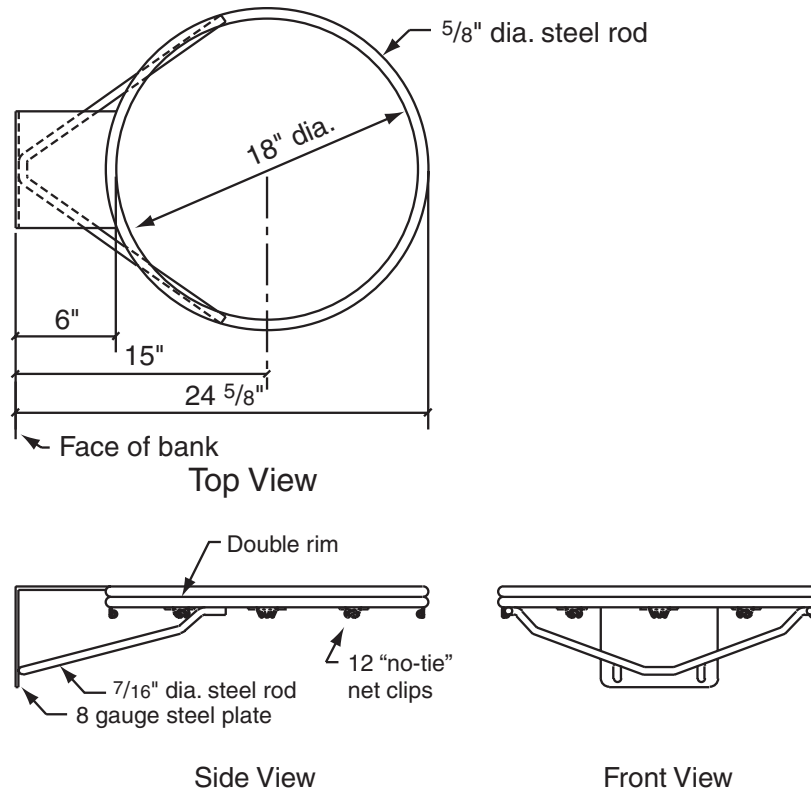


# EZ Fold® 503575

Playground Goal—  
Double Rim with Nylon Net

by DRAPER



## Specifications—EZ Fold 503575 Double Rim Playground Goal with Nylon Net

### Product Description

503575 playground goal shall have a double rim fabricated from 5/8" and 1/2" diameter steel rods formed into an 18" inside diameter ring. Inside of ring shall be positioned 6" from the face of backboard by a heavy-duty mounting plate with 5" x 4" mounting hole centers.

Rim shall be rigidly braced by means of a 7/16" diameter steel rod, welded to rim and mounting plate, for maximum support. Goal shall be provided with twelve (12) "no tie" net attachment clips, welded to rim for net attachment.

Goal shall be painted in an official durable orange powder coat and be furnished with zinc plated mounting hardware and chain net.

The double rim playground goal is covered by a limited 1-year warranty.

DRAPER®

411 S. Pearl St., Spiceland, IN 47385 USA ■ 765-987-7999  
www.draperinc.com ■ fax 765-987-7142

Copyright © 2010 Draper Inc. Form EZ-503575\_Sub10 Printed in U.S.A.

PROJECT: \_\_\_\_\_

ARCHITECT: \_\_\_\_\_

CONTRACTOR: \_\_\_\_\_

SUPPLIER: \_\_\_\_\_

DATE: \_\_\_\_\_ REVISED: \_\_\_\_\_