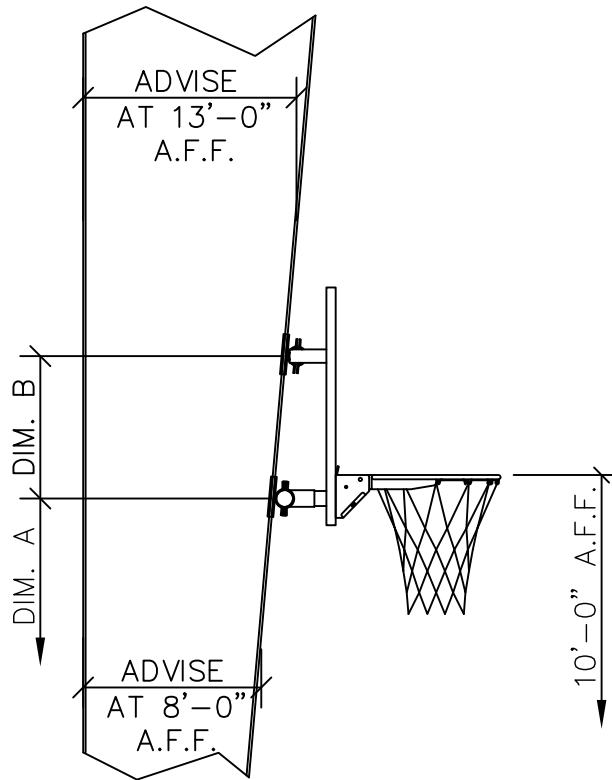
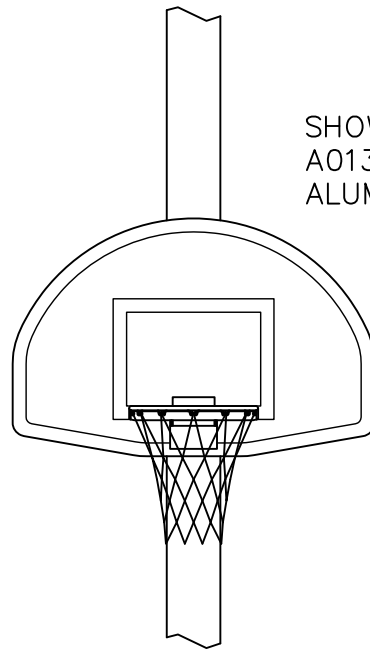


TOP VIEW



SIDE VIEW



SHOWN WITH
A0133 FAN
ALUM. BANK

FRONT VIEW

STYLE OF BANK	WITHOUT HGT. ADJ.		WITH HGT. ADJ.	
	A	B	A	B
FAN ALUMINUM	9'-8 1/2"	1'-9 1/4"	9'-9"	1'-5"
FAN FIBERGLASS	9'-8 1/2"	2'-1 1/4"	9'-9 1/2"	1'-5"
FAN GLASS	9'-8 1/2"	2'-1"	9'-9 1/4"	1'-5"

DRAPER

CM Backstop
Stationary, Column-Mounted

DRAPER, Inc., 411 S. Pearl Street, Spiceland, Indiana 47385
EMAIL drapercontract@draperinc.com, PH 765-987-7999, FAX 866-637-5611